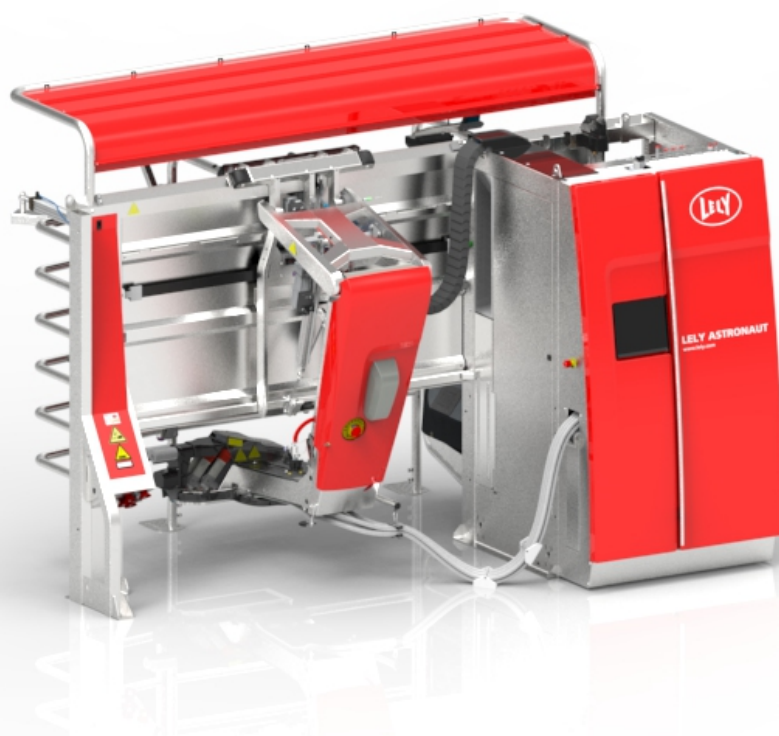


# Lely Astronaut A5

## Pura



## Parts list

5.1005.8645.0 D

English Original





INTENTIONALLY BLANK

# Preface

## Applicability

Type number:	As from serial number:
5.1X05.00XX-X	0003242094

## Spare Parts

When ordering spare parts it is important that you are aware of the type and serial number of your machine. Use only genuine LELY parts.

## Criticality

Criticality = Bulk, 0, 1, 2

- Bulk = Bulk item.
- 0 = Not critical.
- 1 = Not very critical.
- 2 = Critical.

## Explanation of Signs Used in the Parts List

[R] / [RH]	By RH or LH version the position of the part is meant, seen from the rear of the machine.
[L] / [LH]	
[~]	E.g.: LH version is not similar to the RH version, which is actually shown.
[#]	Not available seperately.

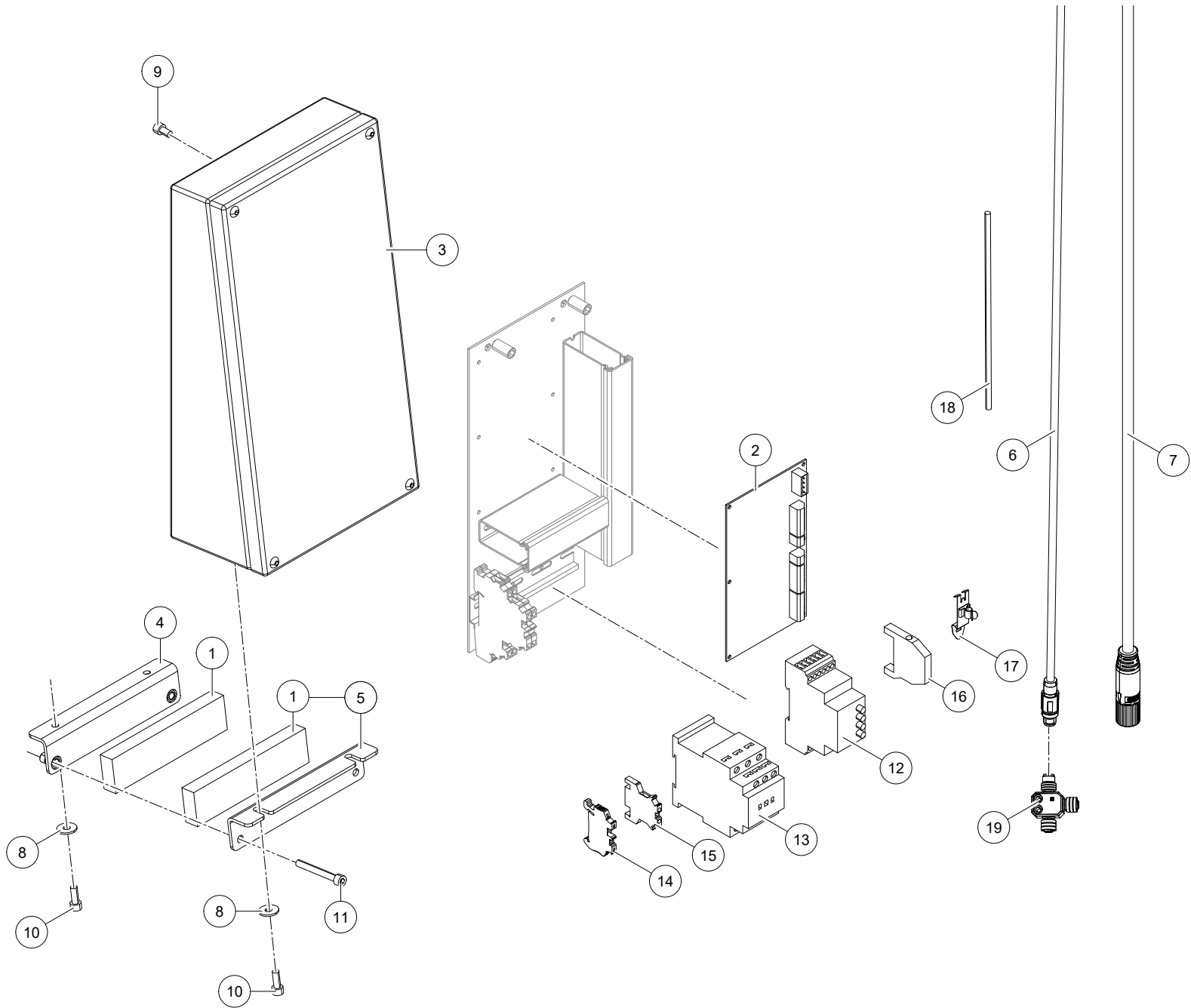


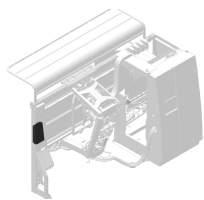
INTENTIONALLY BLANK



# Table of Contents

<b>A</b>	<b>Pura</b> .....	<b>6</b>
A-1	Pura ECC Cabinet .....	6
A-2	Pura Backbone .....	8
A-3	Pura Valve Assembly .....	10
A-4	Jetter Module .....	12
A-5	Pura Assembly .....	14
A-6	Pura Assembly .....	16
A-7	Pura Assembly .....	18
A-8	Pura Plate .....	20
A-9	Pure Water Unit .....	22





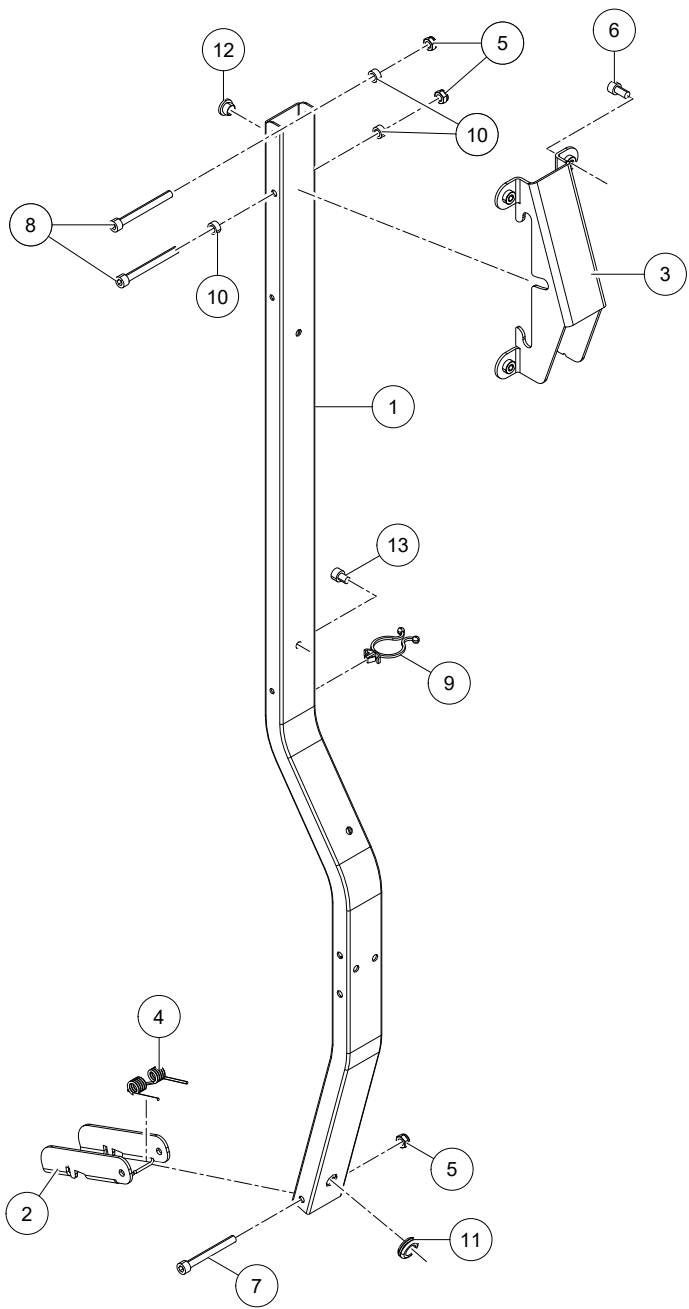
Lely Astronaut A5

Pura

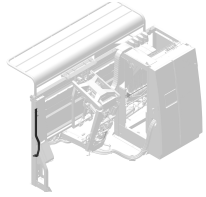
5.1X05.00XX-X

0003242094

Ref.	Part No	Qty.	Description	Techn. info	Criticality	Remark
1	5.1003.0662.0	2	Foam tape			
2	5.1005.5124.0	1	PCB	PURA (PDV1010B)	2	
3	#####	1	Not separately			
4	5.1005.1937.0	1	Plate			
5	#####	1	Not separately			
6	5.1005.2233.0	1	Cable SAC-5P-MS/1,3-920 MSTB		2	
7	5.1005.2237.0	1	Cable KST3EPV8V30A06.00		2	
8	9.1048.0095.5	4	Washer	A6,4 DIN9021-A2 s/s	Bulk	
9	9.1057.0057.0	2	S.h. bolt	M6x10 DIN912 A2-2 s/s	Bulk	
10	9.1057.0060.3	6	S.h. bolt	M6x16 DIN912-A2 s/s	Bulk	
11	9.1057.0126.6	4	S.h. bolt	M6x50 DIN912-A2 s/s	Bulk	
12	9.1185.0830.3	1	Relay	Level Sensor	1	
13	9.1185.0831.4	1	Relay	Heater	1	
14	9.1185.0840.6	1	Spacer	DIN rail component		
15	9.1185.0853.5	1	Terminal block			
16	9.1186.0312.0	1	Clamping bracket			
17	9.1186.0638.0	1	Clamp			
18	5.1004.2643.0	1	Wire loom			
19	9.1186.1018.0	1	Connector			







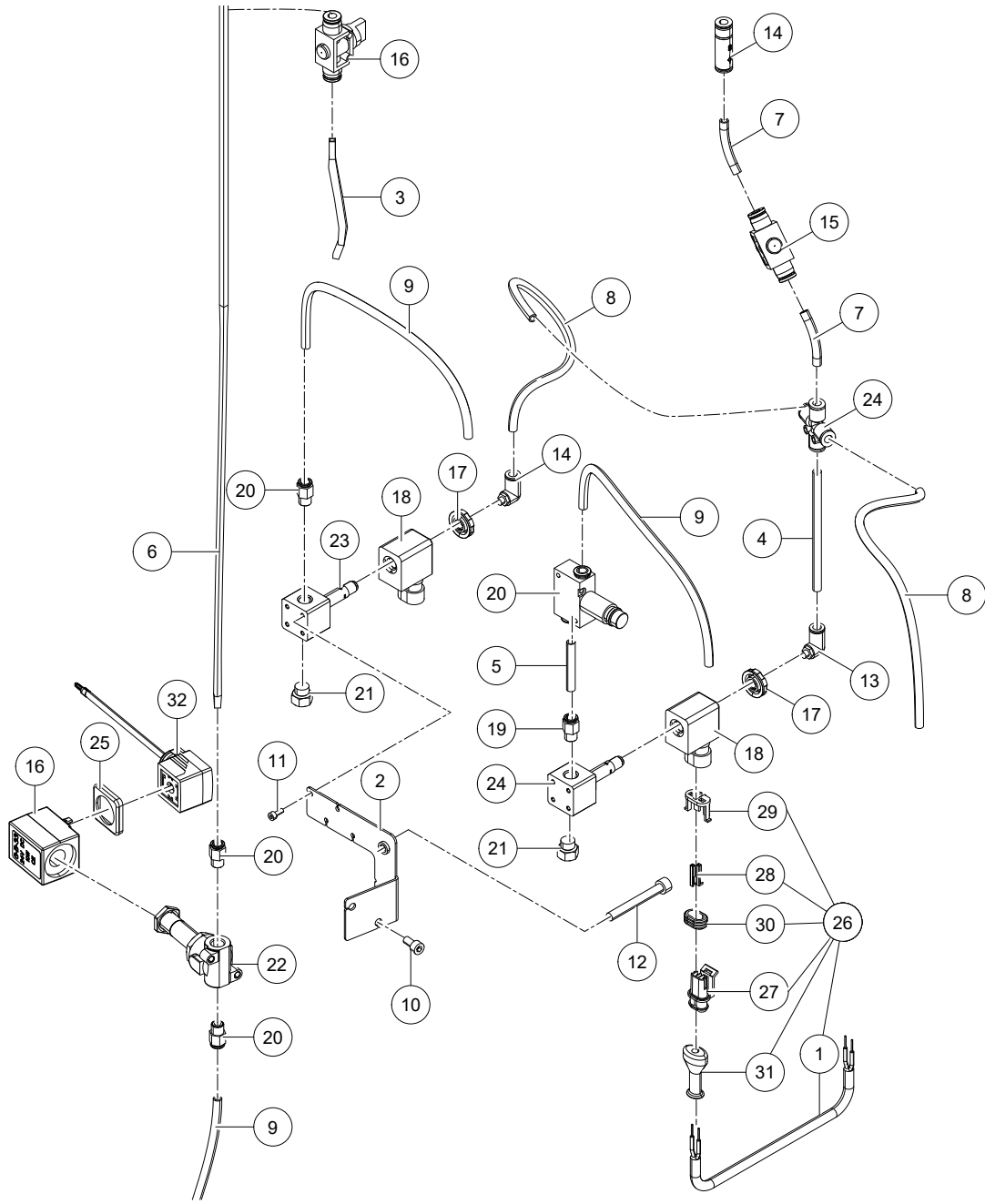
Lely Astronaut A5

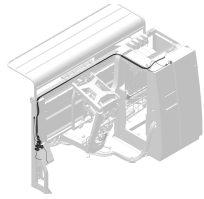
Pura

5.1X05.00XX-X

0003242094

Ref.	Part No	Qty.	Description	Techn. info	Criticality	Remark
1	5.1005.0798.0	1	Tube			
2	5.1005.0811.0	1	Plate			
3	5.1005.1983.0	1	Plate			
4	5.1005.1977.0	1	Spring			
5	9.1030.0021.5	3	Nut	M6 DIN985 A2-2 s/s	Bulk	
6	9.1057.0067.3	4	S.h. bolt	M6x12 DIN912-A2 s/s	Bulk	
7	9.1057.0106.0	1	S.h. bolt	M6x55DIN912-A2 s/s	Bulk	
8	9.1057.0139.5	2	S.h. bolt	M6x60 DIN912-s/s	Bulk	
9	9.1073.0094.0	3	Insert bundle clip 24.3-F3			
10	9.1073.0096.0	4	Spacer bushing			
11	#####	2	Not separately			
12	#####	2	Not separately			
13	#####	1	Not separately	DIN912-A2		





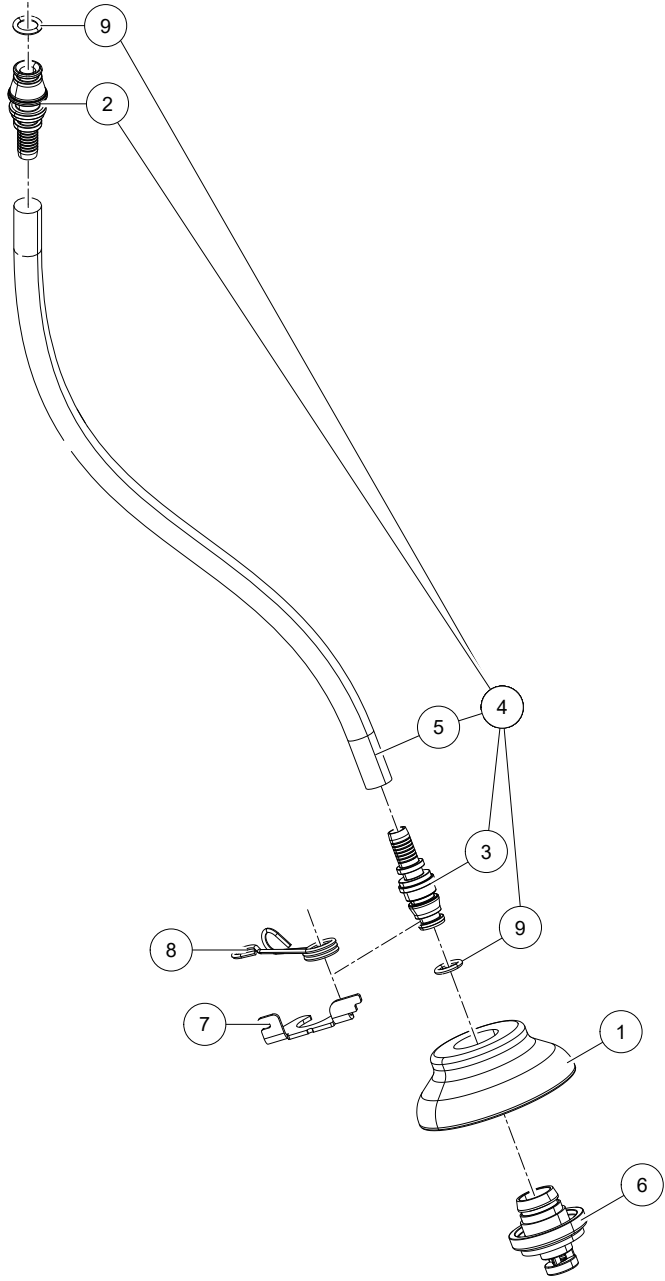
Astronaut A5

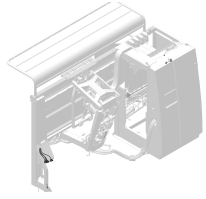
Pura

5.1X05.00XX-X

0003242094

Ref.	Part No	Qty.	Description	Techn. info	Criticality	Remark
1	9.1186.0043.4	1	Cable	OLFLEX 2x0.75 540P 0012452 LAPP L=800		
2	5.1005.1860.0	1	Plate			
3	#####	1	Not separately			
4	9.1138.0064.5	1	Tube	OD = 6mm, ID = 4, L = 100		
5	9.1138.0036.5	1	Tube	OD = 6mm, ID = 4, L = 40		
6	9.1138.0063.4	1	Tube	6mm PA BLACK L=5.200m		
7	9.1138.0064.5	2	Tube	OD = 6mm, ID = 4, L = 40		
8	9.1138.0064.5	2	Tube	PA6 diam. 6mm L=235mm		
9	9.1138.0036.5	2	Tube	OD = 6mm, ID = 4mm, L = 280		
10	9.1057.0053.3	2	S.h. bolt	M5x10 DIN912 s/s		
11	9.1057.0065.1	4	S.h. bolt	M3x8 DIN912-A2 s/s		
12	9.1057.0126.6	2	S.h. bolt	M6x50 DIN912-A2 s/s		
13	9.1138.0303.5	2	Plug-in coupling			
14	9.1138.0398.0	1	Non-return valve	6 6		
15	9.1138.0399.0	2	Valve			
16	9.1138.0810.0	1	Coil			
17	9.1138.0811.1	2	Castellated nut			
18	9.1138.0911.0	2	Coil	incl. o-ring pulsator unit type 1		
19	9.1138.0923.0	4	Coupling straight	1/8"x6		
20	9.1138.0959.0	1	Pressure reducer	LR-QS-6 adjust 2.8-0/+0.2 bar		
21	9.1138.1084.0	2	Filter	1/8" BSP Silencer ( st.st), AISI 302		
22	9.1138.1171.0	1	Valve			
23	9.1138.1186.0	2	Valve	Pura Pilot Valve		
24	9.1138.1187.0	1	Coupling			
25	9.1138.1220.0	1	Gasket	Solenoid Connector DIN 43650 Type A		
26	5.1004.1713.0	2	Cable			
27	9.1186.0524.2	2	Connercor Tyco 9M house			
28	9.1186.0527.5	4	Connercor Tyco tube			
29	9.1186.0528.6	2	Connector Tyco lock			
30	9.1186.0529.0	2	Connercor Tyco seal			
31	#####	2	Not separately	SUPERSEAL AGCO 36990452		
32	9.1138.1190.0	1	Cable			

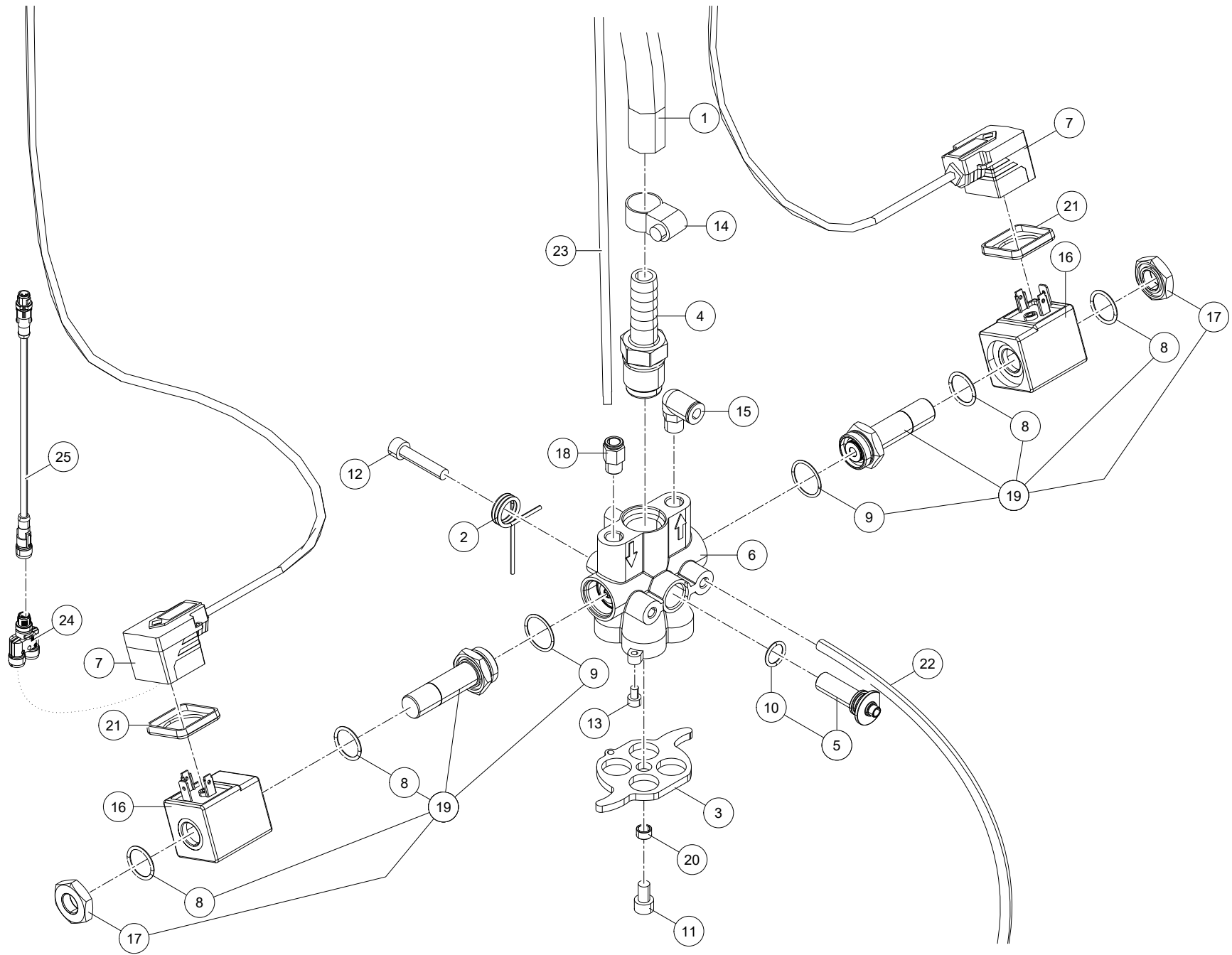


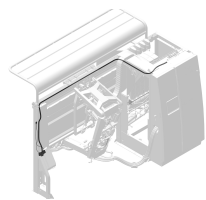


Lely Astronaut A5      Pura      5.1X05.00XX-X      0003242094

Ref.	Part No	Qty.	Description	Techn. info	Criticality	Remark
1	5.1003.0678.0	4	Jetter cap		2	
2	#####	4	Not separately			
3	#####	4	Not separately			
4	5.1005.2514.0	2	Hose		2	
5	#####	4	Not separately			
6	5.1005.2895.0	4	Jetter		2	
7	5.1005.2896.0	4	Plate		2	
8	5.1005.2897.0	4	Spring		2	
9	9.1043.0188.0	8	O-ring	7,65x1,78 Viton		







Lely Astronaut A5

Pura

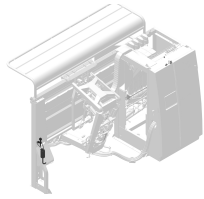
5.1X05.00XX-X

0003242094

Ref.	Part No	Qty.	Description	Techn. info	Criticality	Remark
1	9.1185.0065.6	1	Tube	12,5xWD4 Silipress RED L=4600mm		
2	5.1005.2351.0	1	Spring		1	
3	5.1005.4023.0	1	Plate		1	
4	5.1005.4033.0	1	Non-return valve		1	
5	5.1005.4035.0	1	Nozzle		1	
6	5.1005.4037.0	1	Casting			
7	6.2001.1036.0	2	Cable			
8	9.1043.0110.4	2	O-ring	15.6x 1.78 VITON	Bulk	
9	9.1043.0139.5	1	O-ring	18x1,5 Viton	Bulk	
10	9.1043.0176.0	1	O-ring	10,82x 1,78 Viton		
11	9.1057.0057.0	1	S.h. bolt	M6x10 DIN912 A2-2 s/s	Bulk	
12	9.1057.0153.5	2	Screw	M 6x30 DIN912 s/s		
13	9.1057.0177.0	1	Cyl..h.crew M4 x 6 s/s A2	DIN912		
14	9.1066.0022.5	2	Hose clamp	ø11-ø17 s/s	Bulk	
15	9.1138.0049.4	1	Plug-in coupling	1/8"x6mm (┘)	Bulk	
16	9.1138.0810.0	1	Coil		2	
17	9.1138.0817.0	1	Nut			
18	9.1138.0923.0	1	Coupling straight	1/8"x6		
19	9.1138.1164.0	1	Solenoid		1	
20	9.1138.1178.0	1	Bearing			
21	9.1138.1220.0	2	Gasket	Solenoid Connector DIN 43650 Type A		
22	9.1138.0036.5	1	Tube	PTFE 6mm L=450		
23	9.1138.0064.5	1	Tube	PUN-H 6mm Blue L= 4555 mm		
24	9.1190.0378.0	1	Electronics	SAC-3P-Y/2XFS B PE		
25	6.2001.1039.0	1	Cable	SAC-5P-MS/3,2-186/FS SCO		



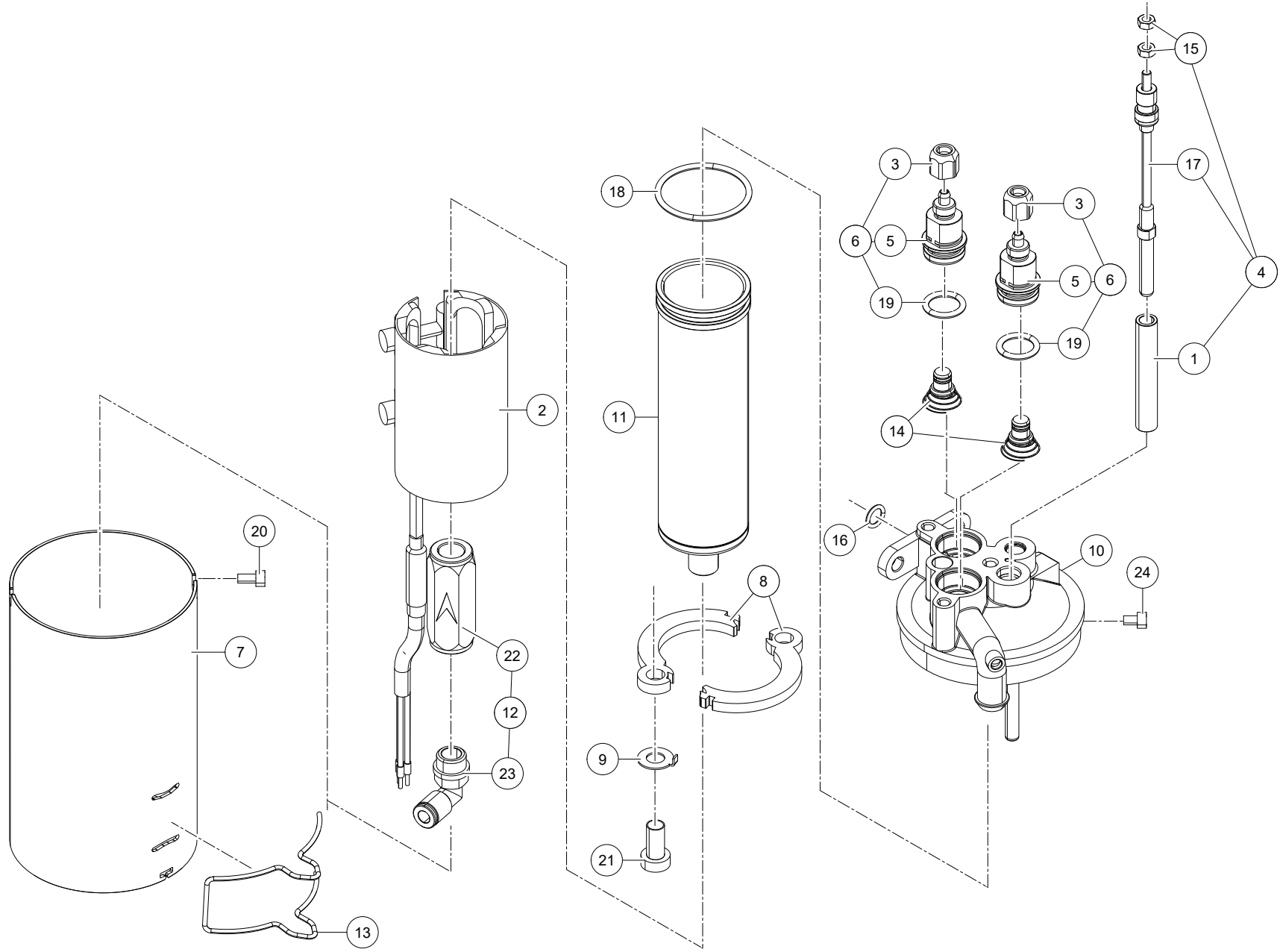


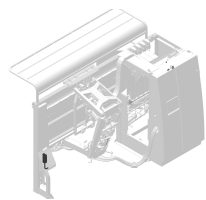


Astronaut A5      Pura      5.1X05.00XX-X      0003242094

Ref.	Part No	Qty.	Description	Techn. info	Criticality	Remark
1	5.1004.1713.0	1	Cable			
2	5.1004.1733.0	1	Pressure switch			
3	#####	1	Not separately			
4	5.1004.7170.0	1	Switch			
5	#####	1	Not separately			
6	#####	1	Not separately			
7	#####	1	Not separately			
8	#####	1	Not separately			
9	5.1005.4046.0	1	Plate			
10	5.1005.4059.0	1	Plate			
11	9.1043.0319.0	1	O-ring	5.28 x 1.78 VITON 75° SHORE GREEN		
12	9.1048.0046.5	5	Washer	A6,4 DIN125 A4 s/s		
13	9.1051.0006.4	3	Serr.lock washer	A6,4 DIN6798 s/s		
14	9.1057.0057.0	2	S.h. bolt	M6x10 DIN912 A2-2 s/s		
15	9.1057.0153.5	1	Screw	M 6x30 DIN912 s/s		
16	9.1057.0211.0	2	Socket head screw	M 6 x 10 DIN912-A4 S/S		
17	9.1057.0212.0	1	Socket head screw	M 6 x 16 DIN912-A4 S/S		
18	9.1113.0639.0	2	Bolt	M 6 x 14 DIN933 A4 S/S		
19	9.1129.0049.4	1	T-piece	1/4" s/s		
20	9.1138.1150.0	1	Manometer	1-16 BAR 1/4"		
21	#####	1	Not separately			
22	#####	1	Not separately			
23	9.1186.0528.6	1	Connector Tyco lock			
24	9.1186.0527.5	2	Connercor Tyco tube			
25	9.1186.0529.0	1	Connercor Tyco seal			
26	9.1186.0524.2	1	Connercor Tyco 9M house			
27	#####	1	Not separately	SUPERSEAL AGCO 36990452		
28	9.1186.0043.4	1	Cable	OLFLEX 2x0.75 540P 0012452 LAPP L=800		
29	9.1030.0021.5	1	Nut	M6 DIN985 A2-2 s/s		
90	5.1005.1996.0	1	Pressure switch			







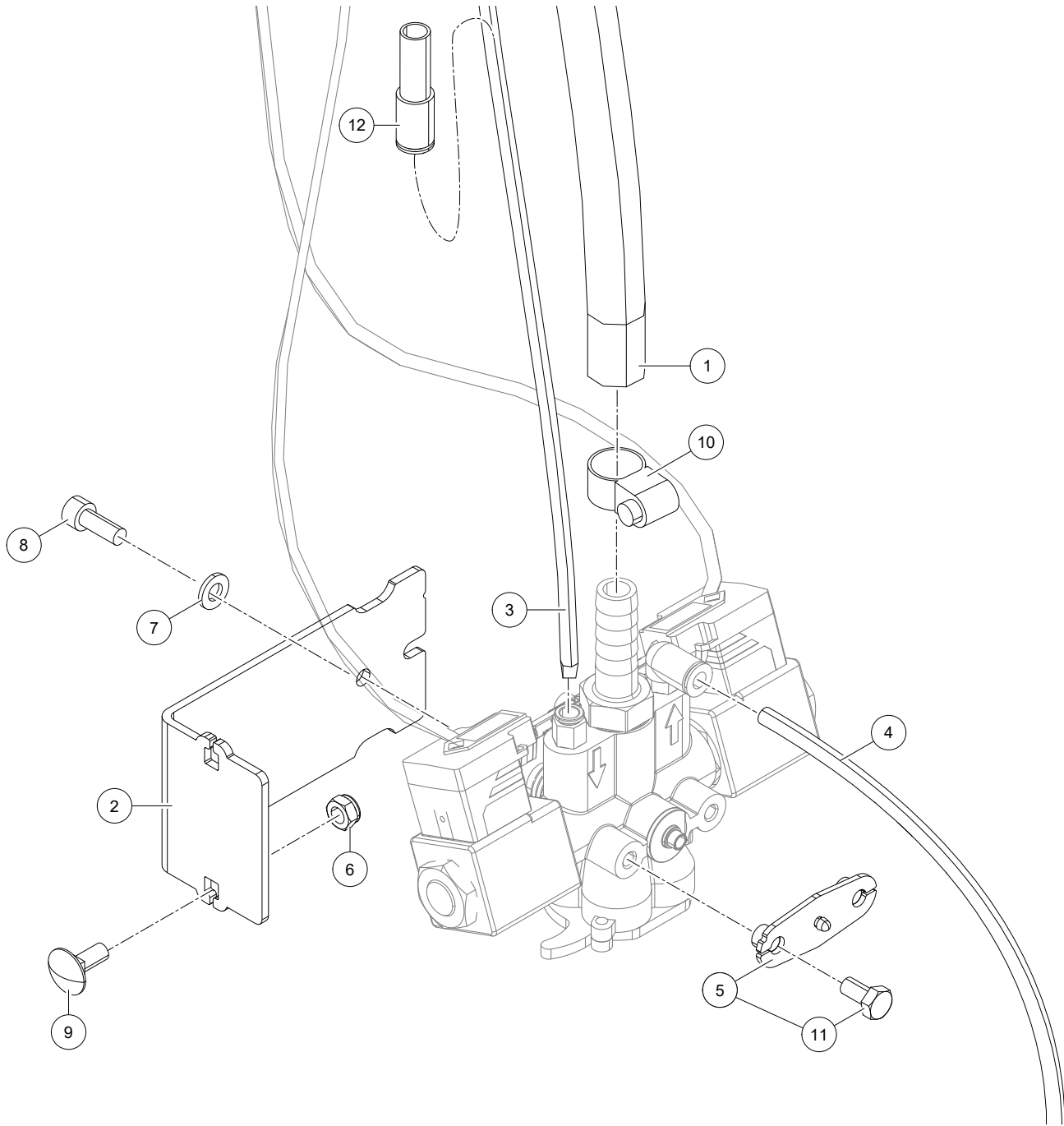
Lely Astronaut A5

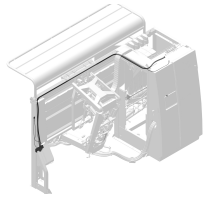
Pura

5.1X05.00XX-X

0003242094

Ref.	Part No	Qty.	Description	Techn. info	Criticality	Remark
1	5.1003.0750.0	1	Sensor	tube		
2	5.1003.0902.0	1	Heater element		1	
3	5.1004.2528.0	2	Nut		1	
4	5.1005.4015.0	1	Sensor		1	
5	5.1005.4016.0	2	Valve		1	
6	5.1005.4017.0	2	Valve		1	
7	5.1005.4019.0	1	Cover		1	
8	5.1005.4025.0	2	Plate		1	
9	5.1005.4026.0	2	Plate		1	
10	5.1005.4034.0	1	Manifold		1	
11	5.1005.4036.0	1	Boiler		1	
12	5.1005.4047.0	1	Coupling		1	
13	#####	1	Not separately			
14	5.1005.4066.0	1	Set	Preventive Maintenance Pura	1	
15	9.1029.0044.1	2	Nut	M4 DIN934 A2-2 s/s	Bulk	
16	9.1043.0136.2	1	O-ring	7,65x 1,78 Viton	Bulk	
17	9.1043.0156.1	1	O-ring	6x2 Viton	2	
18	9.1043.0311.0	1	O-ring	37.77 x 2.62 VITON	1	
19	9.1043.0312.0	2	O-ring	13.94 x 2.62 VITON	bulk	
20	9.1057.0059.2	1	S.h. bolt	M4x8 DIN912-A2 s/s	Bulk	
21	9.1057.0210.0	2	Socket head screw	M 8 x 16 DIN7984-A4 S/S	bulk	
22	9.1129.0216.0	1	Non-return valve	Filling system Pura - G1/4"	1	
23	9.1138.1202.0	1	Coupling	1/4"- 6mm Pura Boiler inlet	bulk	
24	9.1057.0177.0	1	Cyl..h.crew M4 x 6 s/s A2	DIN912		





Lely Astronaut A5

Pura

5.1X05.00XX-X

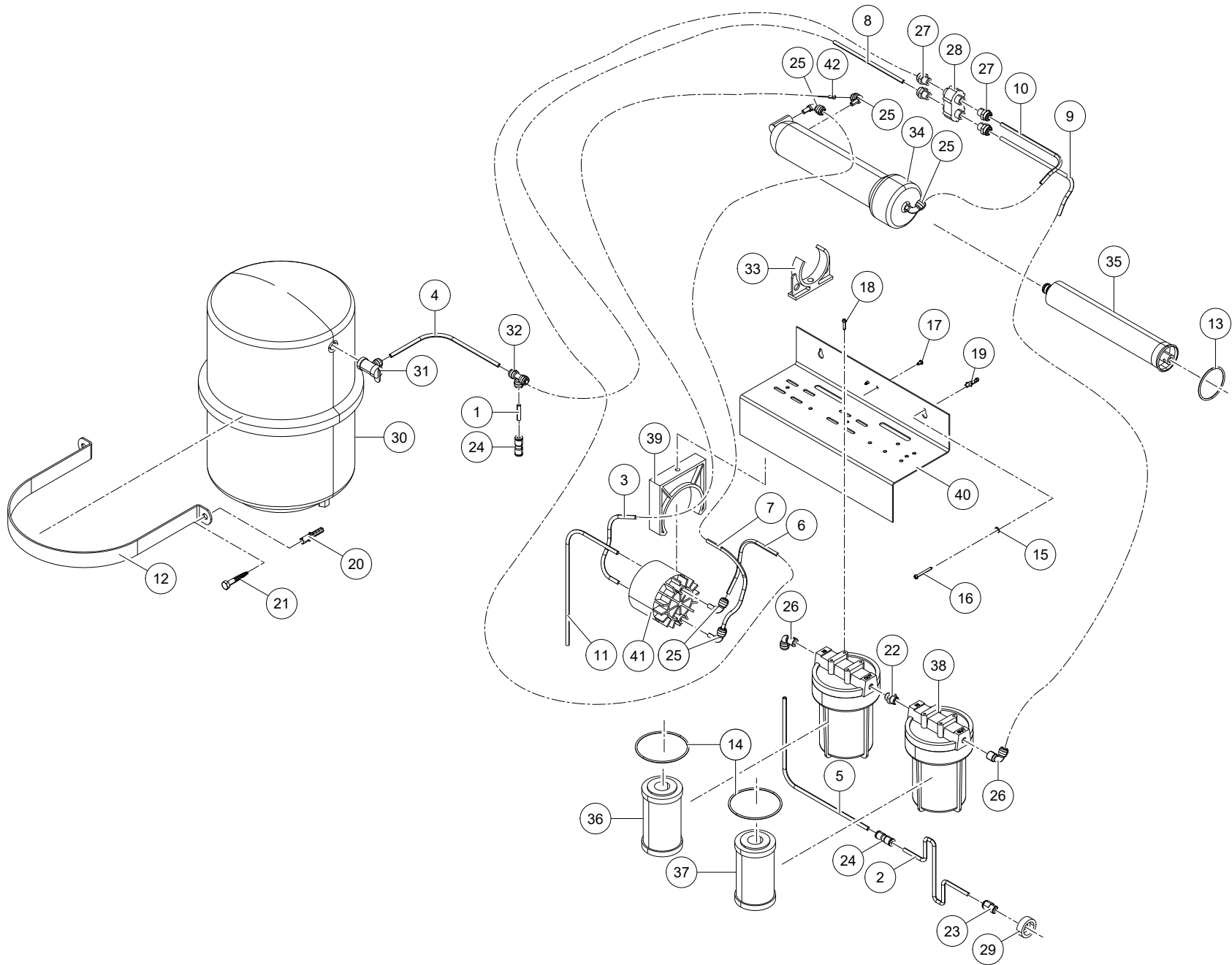
0003242094

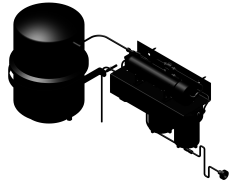
Ref.	Part No	Qty.	Description	Techn. info	Criticality	Remark
1	9.1185.0065.6	1	Tube	12.5xWD4 Silipress RED L=4600mm		
2	5.1005.1963.0	1	Plate			
3	9.1138.0064.5	1	Tube	6mm PUN-H BLUE L=4500mm		
4	9.1138.0036.5	1	Tube	6mm PTFE L=450		
5	5.1005.4055.0	1	Set	Jetter seal set	1	
6	9.1030.0021.5	2	Nut	M6 DIN985 A2-2 s/s	Bulk	
7	9.1048.0090.0	2	Washer	A6,4 DIN125-A2 s/s	Bulk	
8	9.1057.0060.3	2	S.h. bolt	M6x16 DIN912-A2 s/s	Bulk	
9	9.1058.0039.2	2	Coach bolt	M6x16 DIN603 s/s		
10	9.1066.0022.5	2	Hose clamp	ø11-ø17 s/s	Bulk	
11	9.1113.0488.1	2	Bolt	M6x12 DIN933-A2-2 s/s	Bulk	
12	9.1138.0166.2	1	Adapter ring	10-6mm	Bulk	

D000424-008

Pura Plate

A-8

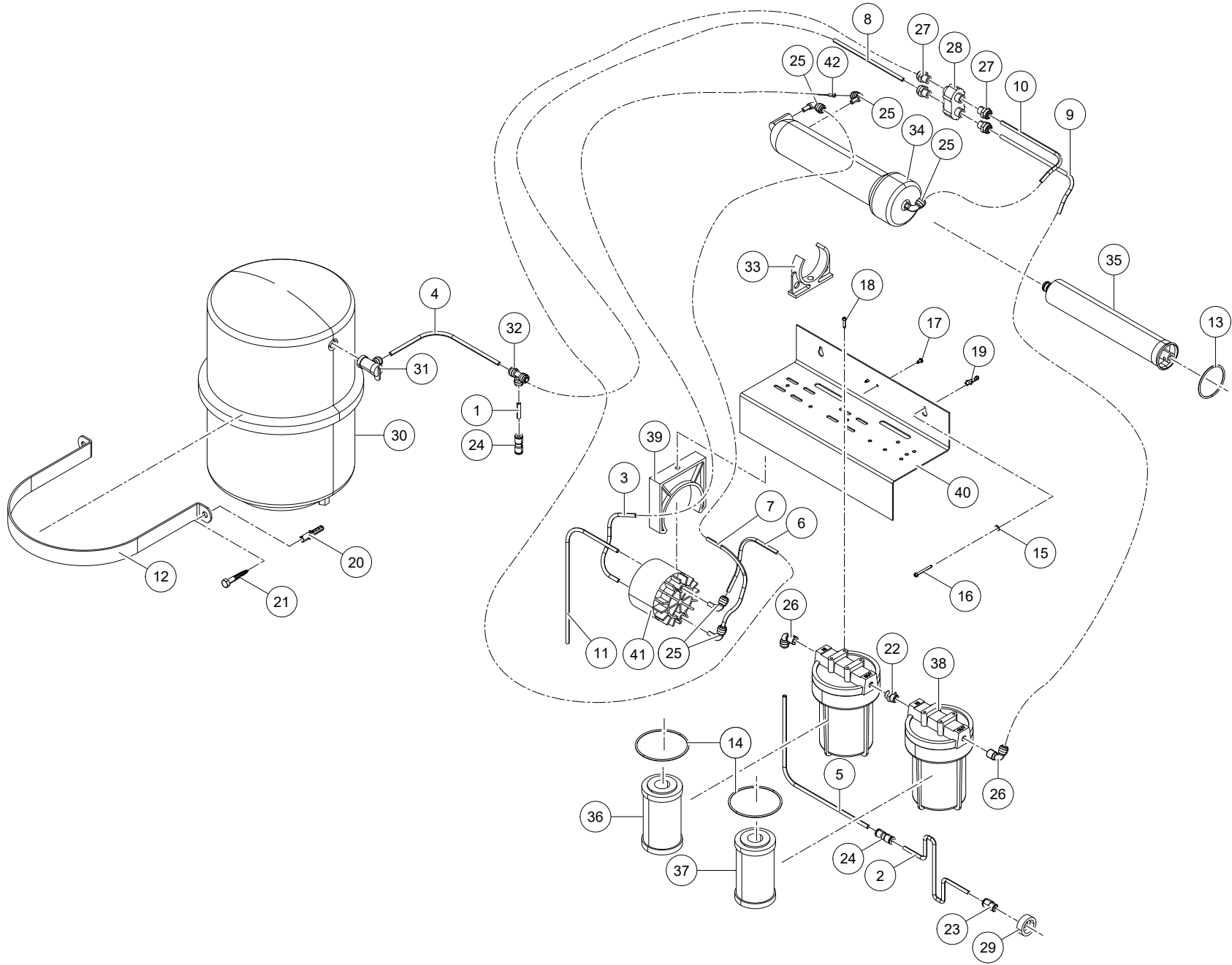




Ref.	Part No	Qty.	Description	Techn. info	Criticality	Remark
1	#####	1	Not separately			
2	9.1138.0064.5	1	Tube	Blue PA 6mm, L=1050mm	Bulk	
3	9.1138.0284.0	1	Hose	PA 1/4" (Black)		
4	#####	1	Not separately			
5	9.1138.0283.6	1	Hose	PA 1/4" (Red)		
6	#####	1	Not separately			
7	9.1065.0085.5	1	Tube	Ø13x3.3, L=900mm		
8	#####	1	Not separately			
9	9.1138.0283.6	1	Hose	PA 1/4" (Red)		
10	9.1138.0283.6	1	Hose	PA 1/4" (Red)		
11	9.1138.0284.0	1	Hose	PA 1/4" (Black)		
12	5.1003.6798.0	1	Bracket			
13	9.1043.0094.2	1	O-ring	56x3 NBR	Bulk	
14	9.1043.0095.3	2	O-ring	85x3 NBR	1	
15	9.1048.0086.3	2	Washer	A5,3 DIN125-A2 s/s	Bulk	
16	#####	2	Not separately	3,9x38 DIN7981 A2 s/s		
17	#####	2	Not separately	3,9x9,5 DIN7981 A2 s/s		
18	#####	8	Not separately	3,9x19 DIN7981 A2 s/s		
19	#####	2	Not separately			
20	9.1073.0069.3	2	Plug	6-8mm		
21	9.1114.0039.2	2	Bolt	M8x50 DIN571 rvs A2		
22	#####	1	Not separately			
23	9.1138.0043.5	1	Plug-in coupling	1/4"x6mm ( )	Bulk	
24	9.1138.0093.6	2	Plug-in coupling	6-6mm ( )	Bulk	
25	9.1138.0253.4	5	Coupling	(L)		
26	9.1138.0254.5	2	Coupling	(L)	Bulk	
27	9.1138.0255.6	4	Coupling	( )		
28	9.1138.0259.3	1	Plug	1/4"	2	
29	9.1138.0261.5	1	Red. nipple	1/4"x3/8"	Bulk	
30	9.1138.0264.1	1	Containment			
31	9.1138.0265.2	1	T-piece	1/4"x1/4"x1/4"	Bulk	
32	#####	1	Not separately			
33	9.1185.0259.4	2	Bracket			
34	#####	1	Not separately			
35	9.1185.0261.6	1	Diaphragm		2	
36	9.1185.0262.0	1	Filter	Sediment	2	

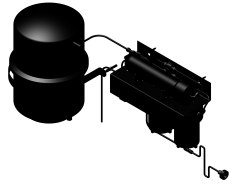
CONTINUED







25



Lely Astronaut A5      Pura      5.1X05.00XX-X      0003242094

Ref.	Part No	Qty.	Description	Techn. info	Criticality	Remark
37	9.1185.0263.1	1	Filter		2	
38	9.1185.0264.2	2	Housing	Solid	2	
39	9.1185.0265.3	1	Bracket			
40	#####	1	Not separately			
41	9.1186.0333.0	1	Pump		1	
42	9.1189.0055.6	1	Restrictor tube			

D000424-010

Pure Water Unit

A-9





INTENTIONALLY BLANK



**Lely Industries N.V.**

Cornelis van der Lelylaan 1

NL-3147 PB Maassluis

Tel +31 (0)88 - 12 28 221

Fax +31 (0)88 - 12 28 222

