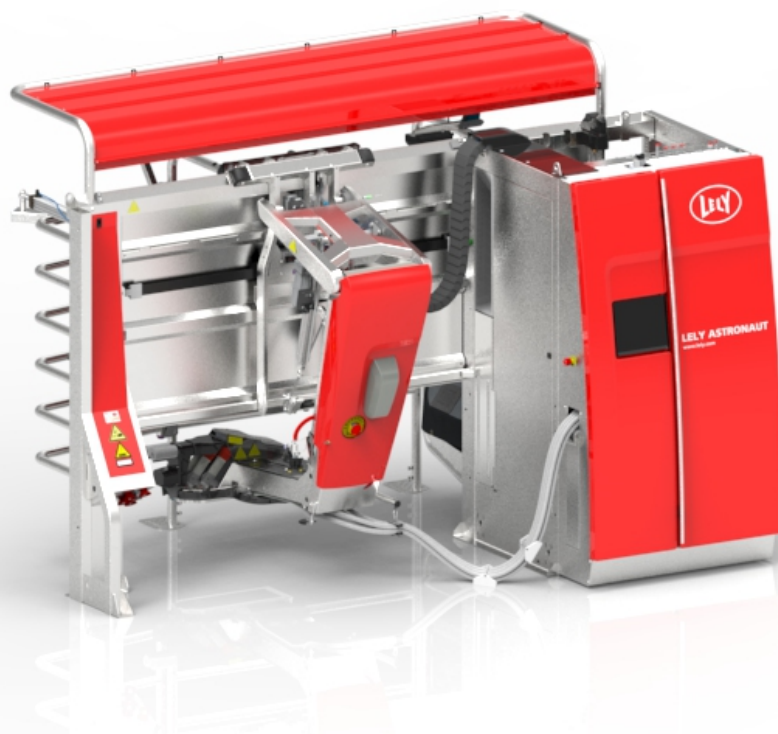


# Lely Astronaut A5 Electronics



## Parts list

5.1005.8644.0 D

English Original





INTENTIONALLY BLANK

# Preface

## Applicability

Type number:	As from serial number:
5.1X05.00XX-X	0003242094

## Spare Parts

When ordering spare parts it is important that you are aware of the type and serial number of your machine. Use only genuine LELY parts.

## Criticality

Criticality = Bulk, 0, 1, 2

- Bulk = Bulk item.
- 0 = Not critical.
- 1 = Not very critical.
- 2 = Critical.

## Explanation of Signs Used in the Parts List

[R] / [RH]	By RH or LH version the position of the part is meant, seen from the rear of the machine.
[L] / [LH]	
[~]	E.g.: LH version is not similar to the RH version, which is actually shown.
[#]	Not available seperately.



INTENTIONALLY BLANK

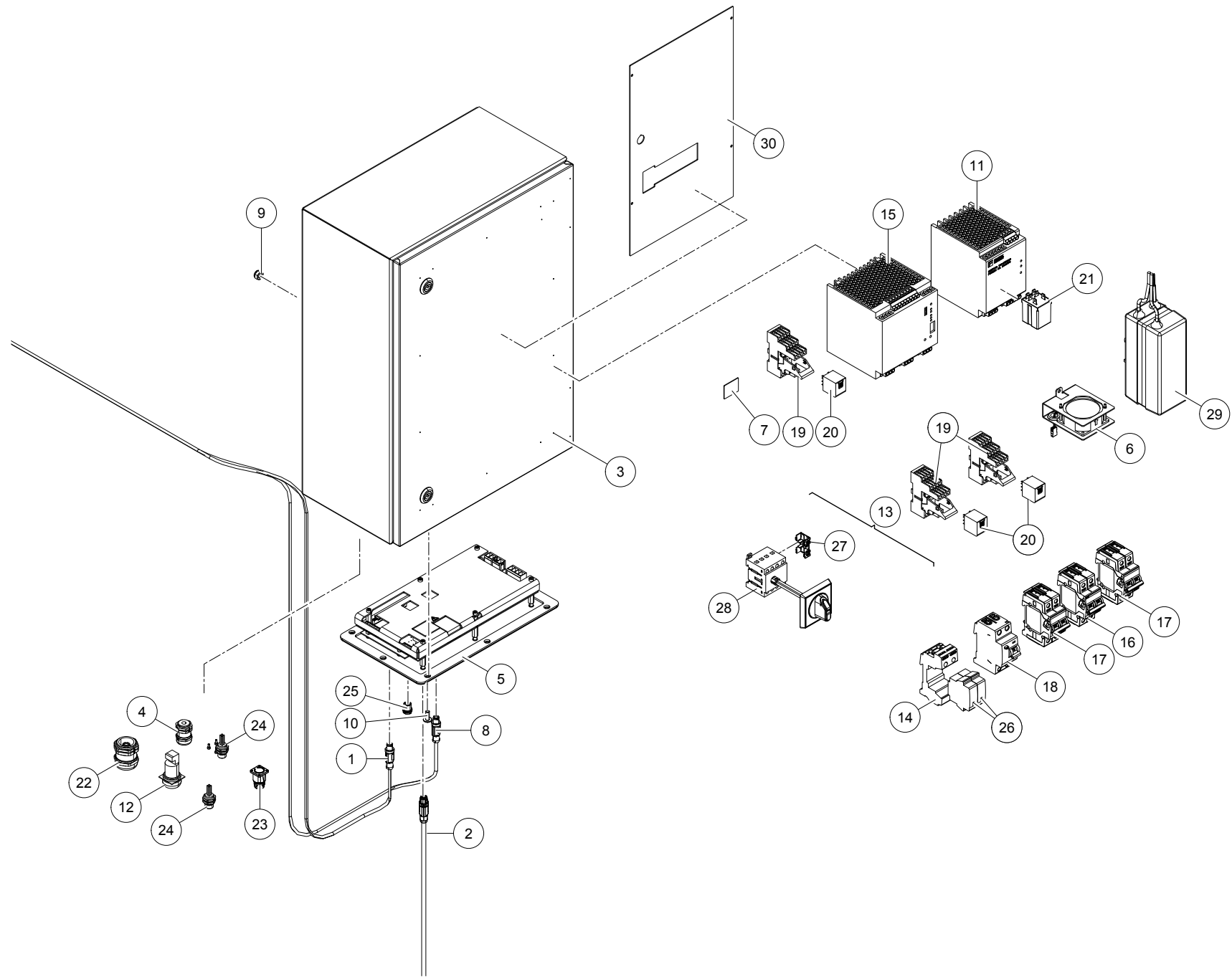


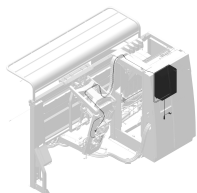
# Table of Contents

<b>A</b>	<b>Electronics</b> .....	<b>7</b>
A-1	Powerbox (Rev. -) .....	7
A-2	Powerbox (Rev. A) .....	9
A-3	Arm Power Supply Unit (APSU) .....	11
A-4	Electronics .....	13
A-5	Power Box Autotransformer (3 Ph 200/230 VAC) .....	15



INTENTIONALLY BLANK





Lely Astronaut A5

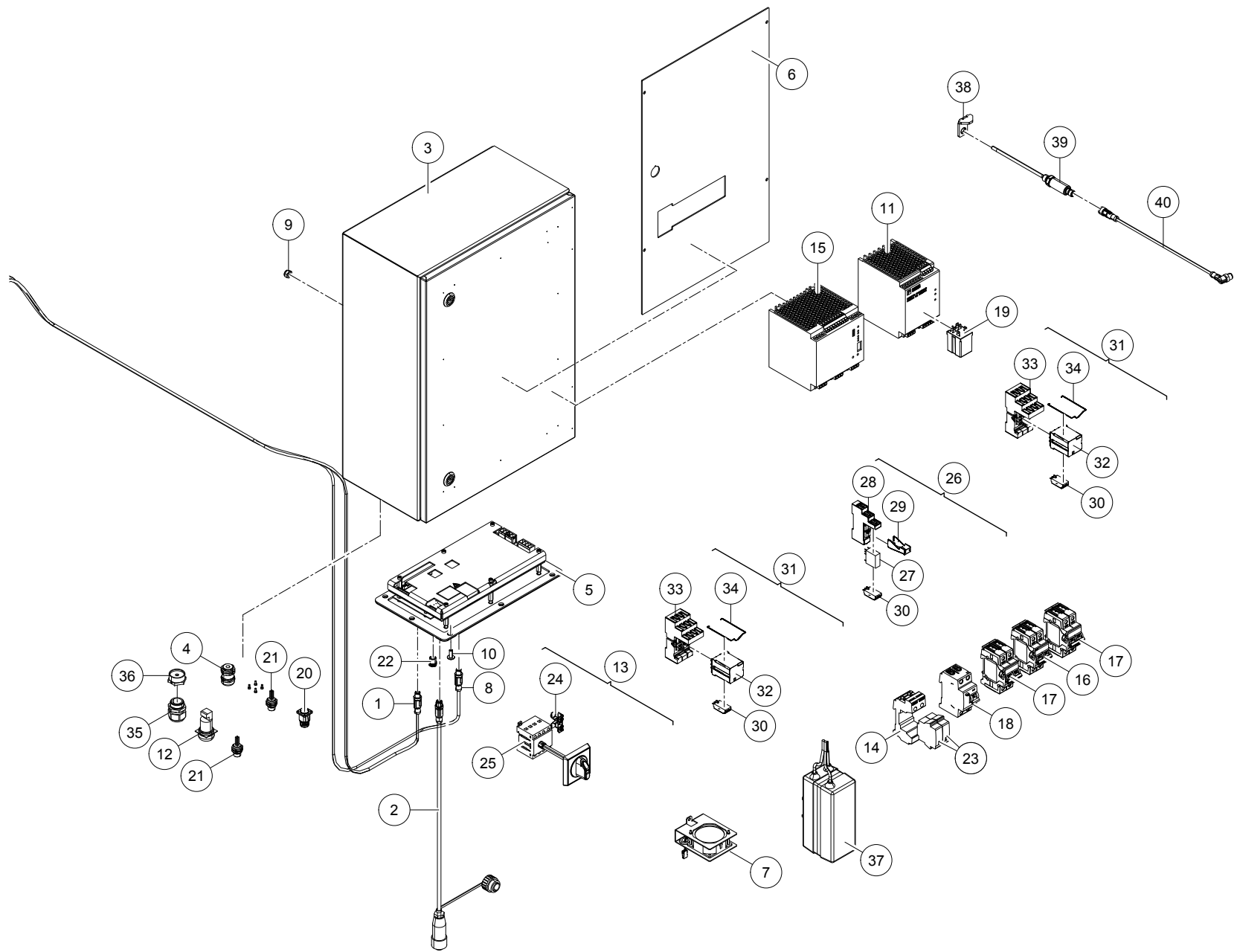
Electronics

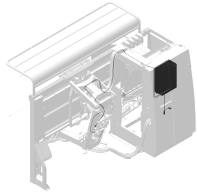
5.1X05.00XX-X

0003252469

Ref.	Part No	Qty.	Description	Techn. info	Criticality	Remark
1	5.1005.2231.0	1	Cable SAC-5P-MSB/5,6-PUR SCO		2	
2	5.1005.2232.0	1	Cable SAC-5P-MS/0,5-920/ C016	SCO	2	
3	#####	1	Not separately			
4	#####	1	Not separately			
5	5.1005.2905.0	1	Electronics	PCB PACKAGE	2	
6	5.1005.3047.0	1	Set		2	
7	5.1005.3499.0	1	Decal	screening	1	
8	6.2001.1033.0	1	Cable SAC-5P-MSB/5,0-PUR/ FRB		2	
9	9.1030.0020.4	3	Nut	M8 DIN985 A2-2 s/s	Bulk	
10	9.1057.0468.0	8	Screw+flange M6x 16 A2-70 s/ s	ISO7380-2 TufLock 360 Blau Nylon		
11	9.1185.0993.0	1	Power supply Quint-ps/ 1AC/ 24C		2	
12	9.1185.0998.0	1	Buzzer	12-24V AC/DC		
13	9.1186.1042.0	1	Switch		2	
14	9.1186.1043.0	1	Switch	SURGE PROTECTION 2CTB802343R2500	2	
15	9.1186.1044.0	1	Power source	QUINT-UPS/1AC/1AC/500VA	2	
16	9.1186.1045.0	1	Switch	CIRCUIT BREAKER S202 U-C4	2	
17	9.1186.1046.0	2	Switch	CIRCUIT BREAKER S202 U-C10	2	
18	9.1186.1047.0	1	Switch	EARTH FAULT PROTECTOR F202 A-40/0,03	2	
19	9.1186.1050.0	3	Set		2	
20	9.1186.1052.0	3	Relay	BLOCK RCM270024	2	
21	9.1186.1054.0	1	Relay	POWER PLUG-IN RELAY	2	
22	9.1186.1055.0	1	Cable gland	M32x1.5 WITH NUT		
23	9.1186.1056.0	1	Connector	M17 DEVICE CONNECTOR		
24	9.1186.1057.0	2	Connector	FLUSH TYPE WIRED	2	
25	9.1186.1059.0	1	Plug	M12 screw plug SPEEDCON		
26	9.1186.1101.0	2	Relay	CARDRIDGE 320/40kA	2	
27	9.1186.1105.0	1	Switch	AUXILIARY CONTACT - OA2G11	2	
28	9.1186.1107.0	1	Switch	MAIN SWITCH 4P/40A/IP20 - OT40F4N2	2	
29	9.1189.0292.0	1	Battery	WAM UR18650RX 7S2P WITH BRACKET	2	
30	5.1005.3006.0	1	Cover	TRANSPARANT COVER PLATE	1	







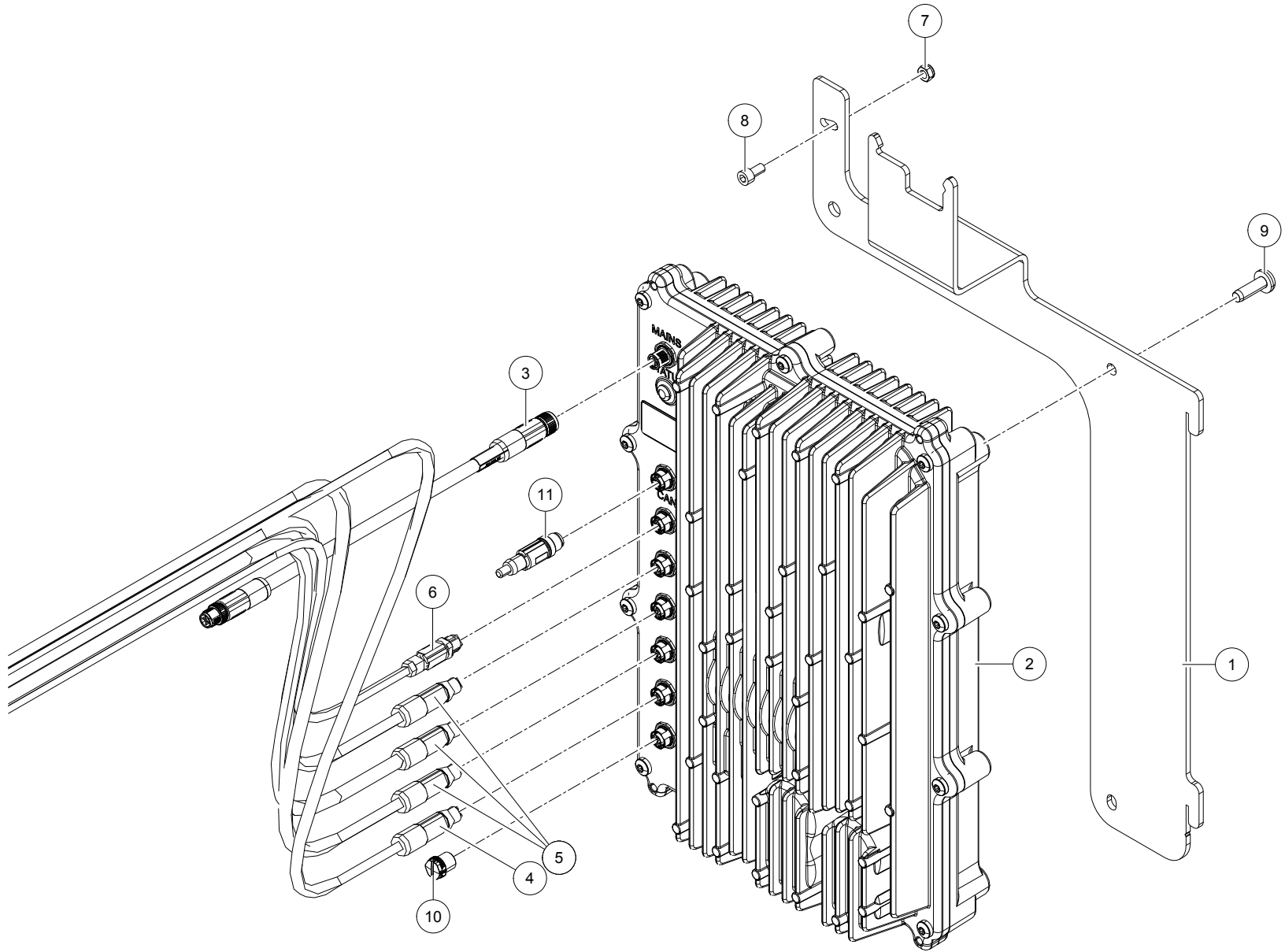
Lely Astronaut A5

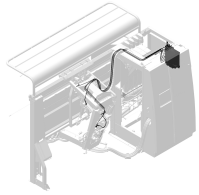
Electronics

5.1X05.00XX-X

0003252470

Ref.	Part No	Qty.	Description	Techn. info	Criticality	Remark
1	5.1005.2231.0	1	Cable		2	
2	5.1005.2232.0	1	Cable SAC-5P-MS/0,5-920/ C016	SCO	2	
3	#####	1	Not separately			
4	#####	1	Not separately			
5	5.1005.2905.0	1	Electronics	PCB PACKAGE	2	
6	5.1005.3006.0	1	Cover	TRANSPARANT COVER PLATE	1	
7	5.1005.3047.0	1	Set		2	
8	6.2001.1033.0	1	Cable	SAC-5P-MSB/5,0-PUR/FRB SCO	2	
9	9.1030.0020.4	3	Nut	M8 DIN985 A2-2 s/s	Bulk	
10	9.1057.0468.0	8	Screw+flange M6x 16 A2-70 s/ s	ISO7380-2 TufLock 360 Blau Nylon		
11	9.1185.0993.0	1	Power supply Quint-ps/ 1AC/ 24C		2	
12	9.1185.0998.0	1	Buzzer	12-24V AC/DC		
13	#####	1	Not separately			
14	#####	1	Not separately			
15	9.1186.1044.0	1	Power source	QUINT-UPS/1AC/1AC/500VA	2	
16	9.1186.1045.0	1	Switch	CIRCUIT BREAKER S202 U-C4	2	
17	9.1186.1046.0	2	Switch	CIRCUIT BREAKER S202 U-C10	2	
18	9.1186.1047.0	1	Switch	EARTH FAULT PROTECTOR F202 A-40/0,03	2	
19	9.1186.1054.0	1	Relay	POWER PLUG-IN RELAY	2	
20	9.1186.1056.0	1	Connector	M17 DEVICE CONNECTOR		
21	9.1186.1057.0	2	Connector	FLUSH TYPE WIRED	2	
22	9.1186.1059.0	1	Plug	M12 screw plug SPEEDCON		
23	9.1186.1101.0	2	Relay	CARDRIDGE 320/40kA	2	
24	9.1186.1105.0	1	Switch	AUXILIARY CONTACT - OA2G11	2	
25	9.1186.1107.0	1	Switch	MAIN SWITCH 4P/40A/IP20 - OT40F4N2	2	
26	9.1186.1122.0	1	Relay module			
27	9.1186.1123.0	1	Relay			
28	9.1186.1124.0	1	Socket			
29	9.1186.1125.0	1	Clip			
30	9.1186.1126.0	3	Led			
31	9.1186.1127.0	2	Relay module			
32	9.1186.1128.0	2	Relay			
33	9.1186.1129.0	2	Socket			
34	9.1186.1131.0	2	Clip			
35	#####	1	Not separately			
36	#####	1	Not separately			
37	9.1189.0292.0	1	Battery	WAM UR18650RX 7S2P WITH BRACKET	2	
38	5.1005.2608.0	1	Plate			
39	9.1183.0082.0	3	Sensor			
40	6.2001.1019.0	1	Cable			





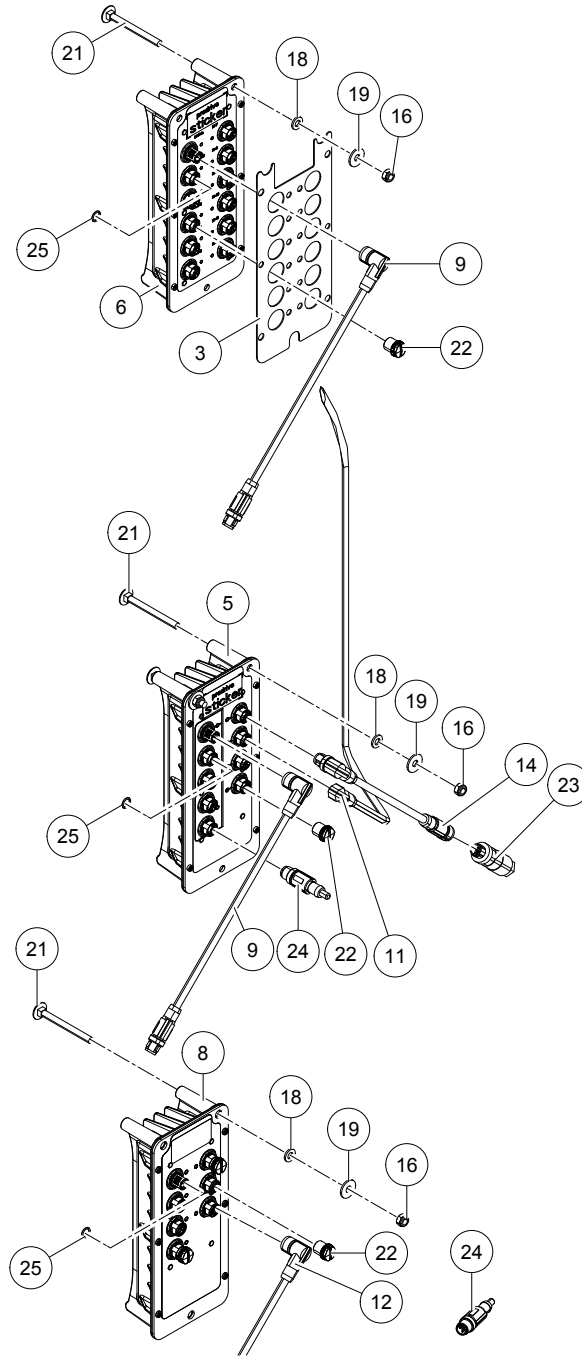
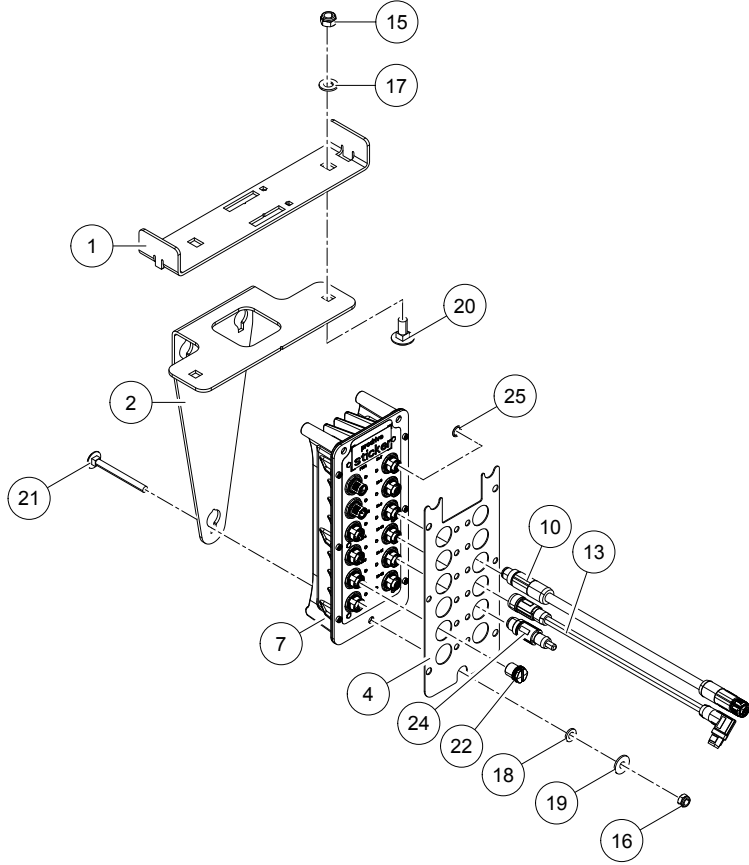
Lely Astronaut A5

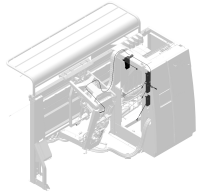
Electronics

5.1X05.00XX-X

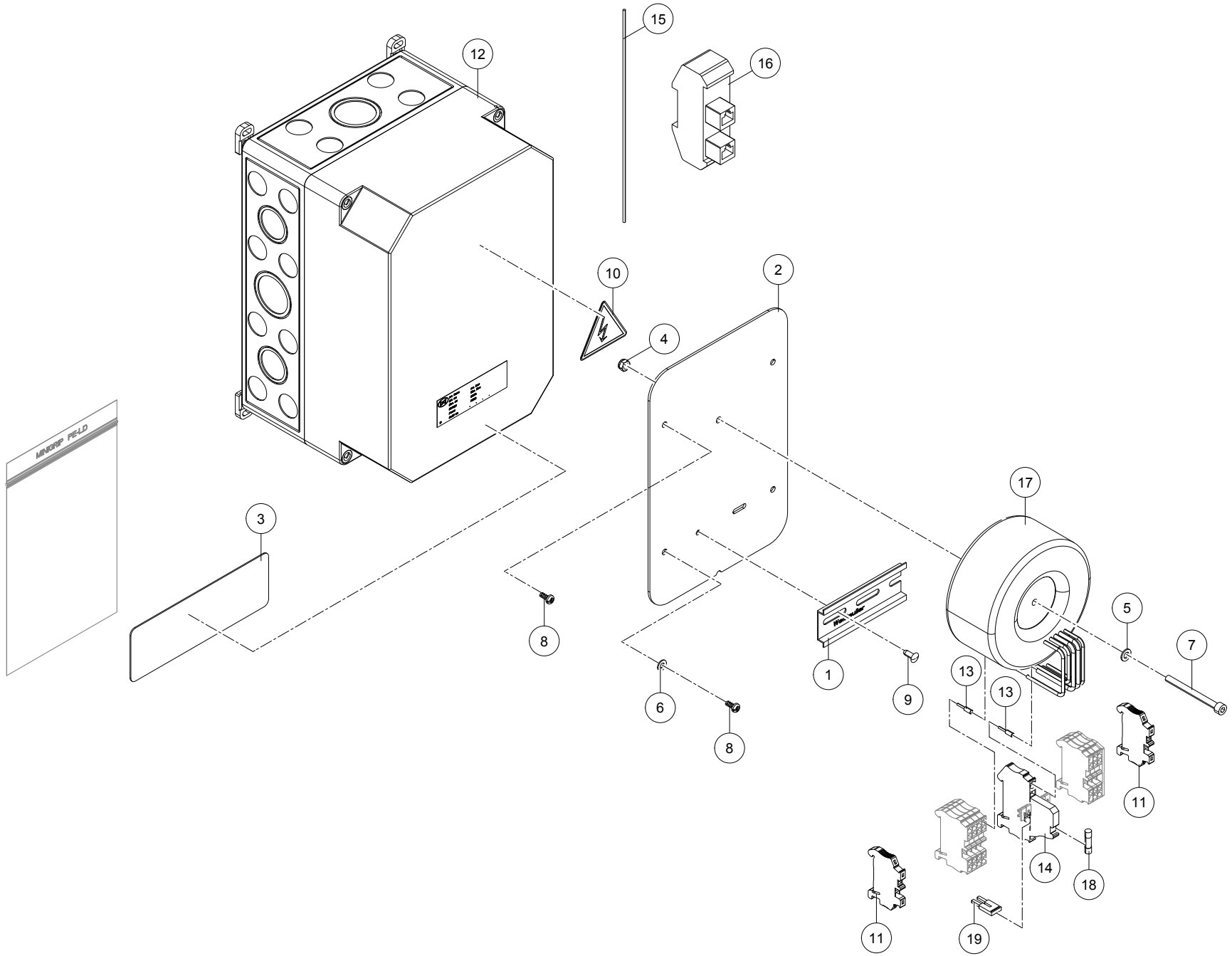
0003242094

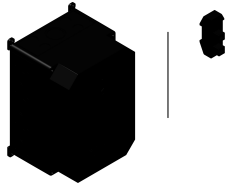
Ref.	Part No	Qty.	Description	Techn. info	Criticality	Remark
1	5.1005.2963.0	[R] 1	Bracket			
	5.1105.2963.0	[L] ~	Bracket			
2	5.1005.3404.0	1	Module	APSU - 500W	2	
3	6.2001.1024.0	1	Cable SAC-4P-MSS/2,9-PUR/ FSS	PE SCO	2	
4	6.2001.1029.0	1	Cable SAC-4P-MST/5,0-PUR/ FRT		2	
5	6.2001.1031.0	1	Cable SAC-4P-MST/5,3-PUR/ FRT		2	
6	6.2001.1034.0	1	Cable SAC-5P-MS/4,6-920/FS SCO		2	
7	9.1030.0021.5	1	Nut	M6 DIN985 A2-2 s/s	Bulk	
8	9.1057.0067.3	1	S.h. bolt	M6x12 DIN912-A2 s/s	Bulk	
9	#####	3	Not separately	DIN7500PE		
10	9.1186.1059.0	1	Plug	M12 screw plug SPEEDCON		
11	9.1186.1094.0	1	Resistor		1	





Ref.	Part No	Qty.	Description	Techn. info	Criticality	Remark
1	5.1005.1566.0	1	Plate			
2	5.1005.2964.0	1	Bracket			
3	5.1005.3048.0	1	Label			
4	5.1005.3049.0	1	Label			
5	6.2001.0211.0	1	Module	GCB-T4 General control	2	
6	6.2001.0275.0	1	Module	LPT1 - LOW POWER GIOB	2	
7	6.2001.0280.0	1	Module	HPT1 - HIGH POWER GIOB	2	
8	6.2001.0281.0	1	Module	LCIB - LOAD CELL INTERFACE BOX	2	
9	6.2001.1020.0	2	Cable	SAC-5P-MS-FR SCO BUS	2	
10	6.2001.1023.0	1	Cable SAC-4P-MST/2,2-PUR/ FST	SCO	2	
11	#####	1	Not separately	DIN7500PE		
12	6.2001.1043.0	1	Cable SAC-5P-MR/0,4-920/FR SCO		2	
13	6.2001.1044.0	1	Cable SAC-5P-MR/1,1-920/FS SCO		2	
14	6.2001.1053.0	1	Cable NBC-MRD/1,5-93H/FSD SCO		1	
15	9.1030.0020.4	2	Nut	M8 DIN985 A2-2 s/s	Bulk	
16	9.1030.0021.5	12	Nut	M6 DIN985 A2-2 s/s	Bulk	
17	9.1048.0050.2	2	Washer	A8,4 DIN125-A2 s/s	Bulk	
18	9.1048.0090.0	12	Washer	A6,4 DIN125-A2 s/s	Bulk	
19	9.1048.0095.5	12	Washer	A6,4 DIN9021-A2 s/s	Bulk	
20	9.1058.0032.2	2	Coach bolt	M8x20 DIN603 s/s	Bulk	
21	9.1058.0059.1	12	Coach bolt	M6x65 DIN603-A2 s/s		
22	9.1186.1059.0	14	Plug	M12 screw plug SPEEDCON		
23	9.1186.1066.0	1	Connector SACC-MSD-4QO SH ETH	SCO	2	
24	9.1186.1094.0	3	Resistor		1	
25	9.1043.0330.0	35	O-ring	SACC-SEAL-M12-8x1.3 GREEN		





Lely Astronaut A5      Electronics      5.1X05.00XX-X      0003242094

Ref.	Part No	Qty.	Description	Techn. info	Criticality	Remark
1	5.1004.1580.0	1	Junction box			
2	#####	1	Not separately			
3	5.1005.3435.0	1	Decal	TRANSFORMER 200-230VAC		
4	9.1030.0035.5	1	Nut	M5 DIN985 A2-2 s/s	Bulk	
5	9.1048.0086.3	1	Washer	A5,3 DIN125-A2 s/s	Bulk	
6	9.1048.0089.6	2	Washer	A4,3 DIN125-A2 s/s	Bulk	
7	9.1057.0189.0	1	Screw			
8	#####	4	Not separately			
9	9.1152.0021.0	2	Blind rivet	4.08x8.7 galv		
10	9.1170.0928.0	1	Decal	High voltage hazard 50mm CE"		
11	9.1185.0840.6	2	Spacer	DIN rail component		
12	#####	1	Not separately			
13	9.1186.0019.1	2	Cable core	0.75mm2	Bulk	
14	9.1190.0096.0	1	Terminal	Fuse modular terminal block		
15	9.1190.0105.0	1	Cable			
16	9.1190.0452.0	1	Connection Module (Type 2)	RJ45	2	
17	9.1190.7706.0	1	Electronics	TRANSFORMER	1	
18	9.1190.9807.0	2	Hose nozzle 1/2" WES 12 R		2	
19	9.1185.0907.0	1	Jumper	FBS 2-6		







**Lely Industries N.V.**

Cornelis van der Lelylaan 1

NL-3147 PB Maassluis

Tel +31 (0)88 - 12 28 221

Fax +31 (0)88 - 12 28 222

