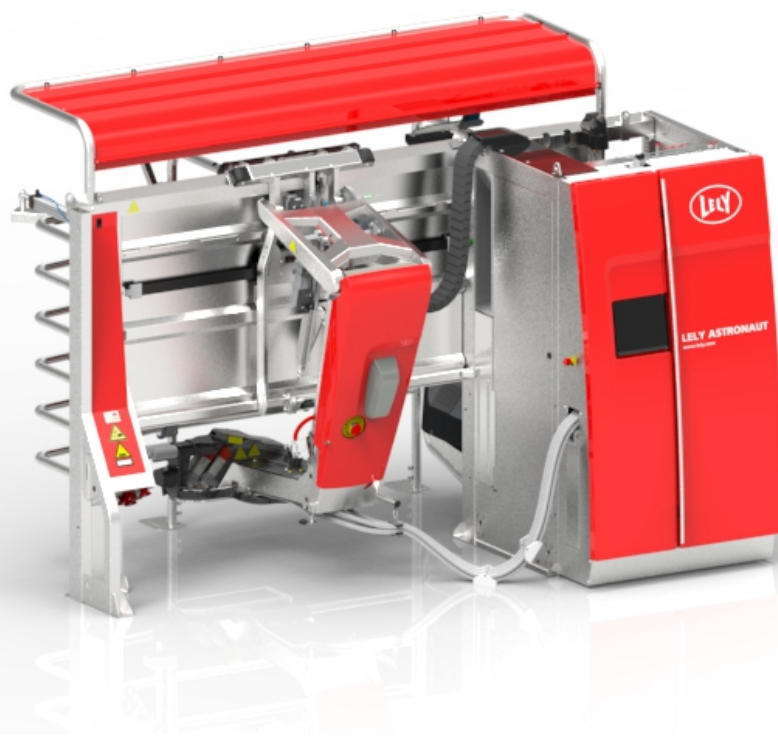


Lely Astronaut A5

Routing Equipment



Parts list

5.1005.8575.0 B

English Original





INTENTIONALLY BLANK

Preface

Applicability

Type number:	As from serial number:
5.1X05.00XX-X	0003242094

Spare Parts

When ordering spare parts it is important that you are aware of the type and serial number of your machine. Use only genuine LELY parts.

Criticality

Criticality = Bulk, 0, 1, 2

- Bulk = Bulk item.
- 0 = Not critical.
- 1 = Not very critical.
- 2 = Critical.

Explanation of Signs Used in the Parts List

[R] / [RH]	By RH or LH version the position of the part is meant, seen from the rear of the machine.
[L] / [LH]	
[~]	E.g.: LH version is not similar to the RH version, which is actually shown.
[#]	Not available seperately.



INTENTIONALLY BLANK

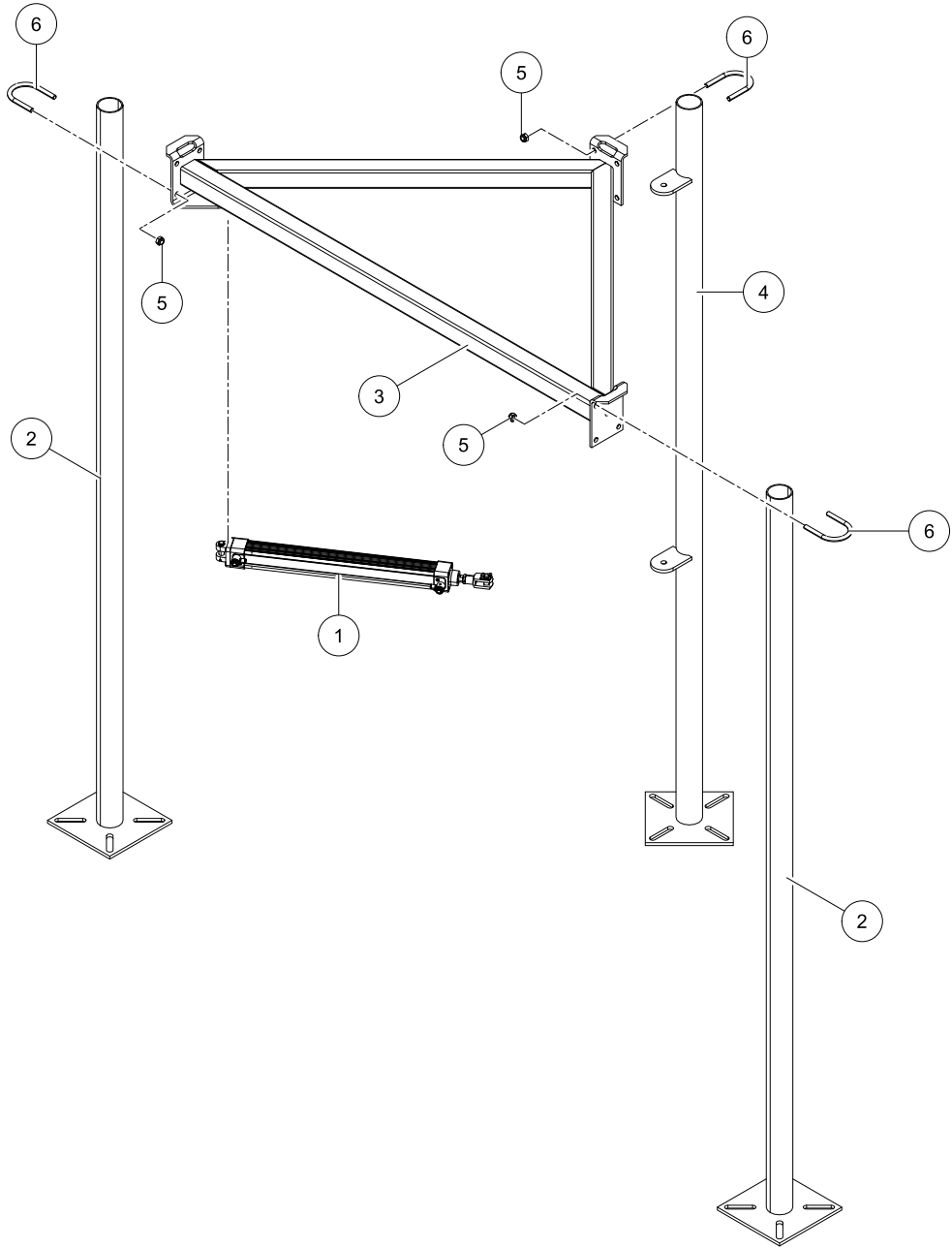


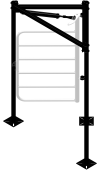
Table of Contents

A	Segregation Gates	7
A-1	Segregation Gate	7
A-2	Segregation Gate	9
A-3	I-flow Segregation Gate (Long)	11
A-4	I-flow Segregation Gate (Long)	13
A-5	I-flow Segregation Gate (Short)	15
A-6	I-flow Segregation Gate (Short)	17
A-7	Valve	19
A-8	GIOB	21
A-9	Cylinder	23
A-10	Tandem Cow Separation (TCS)	25



INTENTIONALLY BLANK





Lely Astronaut A5

Routing
Equipment

5.1X05.00XX-X

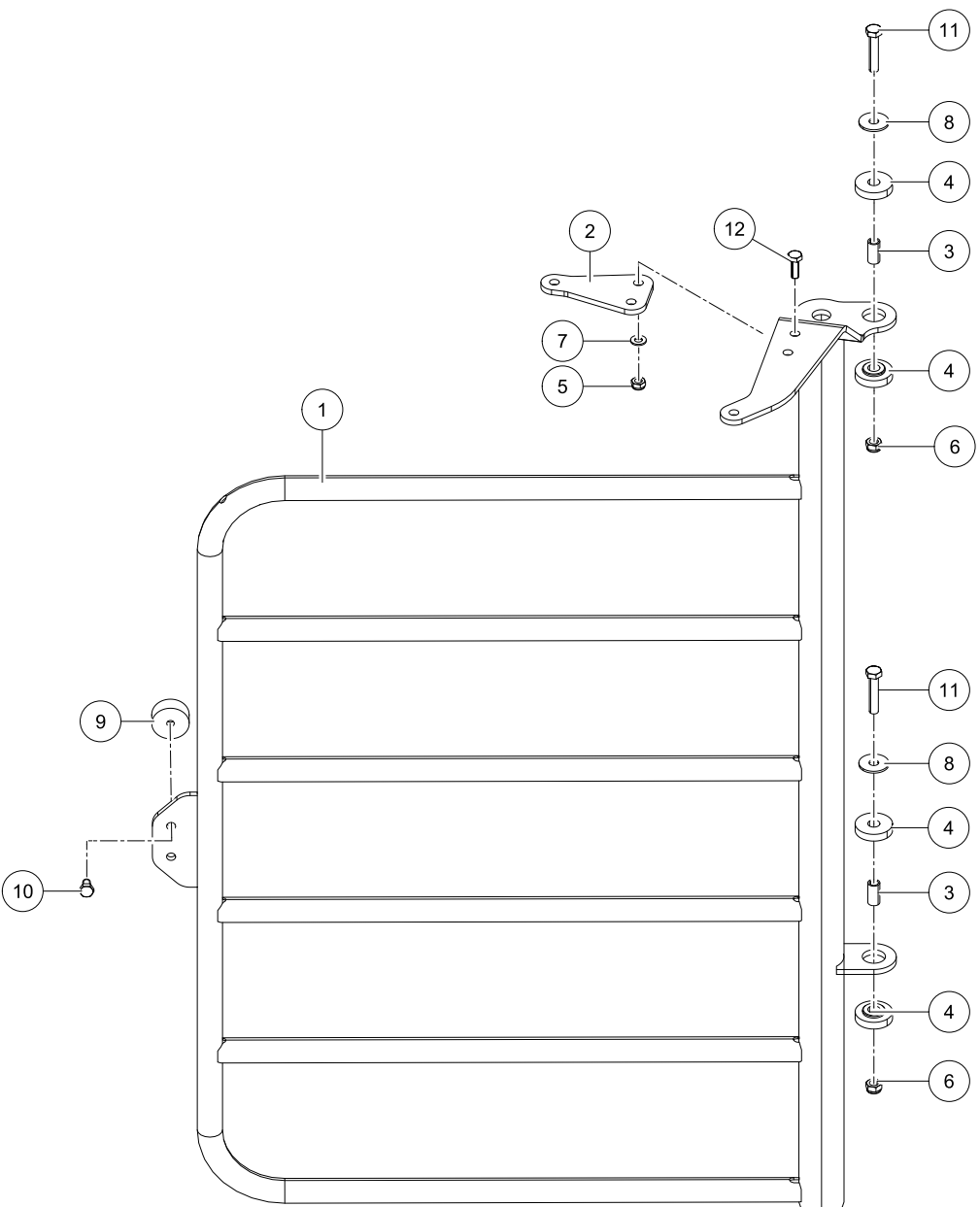
0003242094

Ref.	Part No	Qty.	Description	Techn. info	Criticality	Remark
1	5.1001.5949.1	1	Cylinder		1	(see page 23)
2	5.1001.8241.0	2	Column			
3	5.1001.8250.0	1	Top frame			
4	5.1530.0210.0	1	Pivoting post			
5	9.1030.0004*2	12	Nut	M10 DIN985-8	Bulk	
6	9.1066.0013.3	6	Rohrschelle			

D000403-001

Segregation Gate

A-1



10



Lely Astronaut A5

Routing
Equipment

5.1X05.00XX-X

0003242094

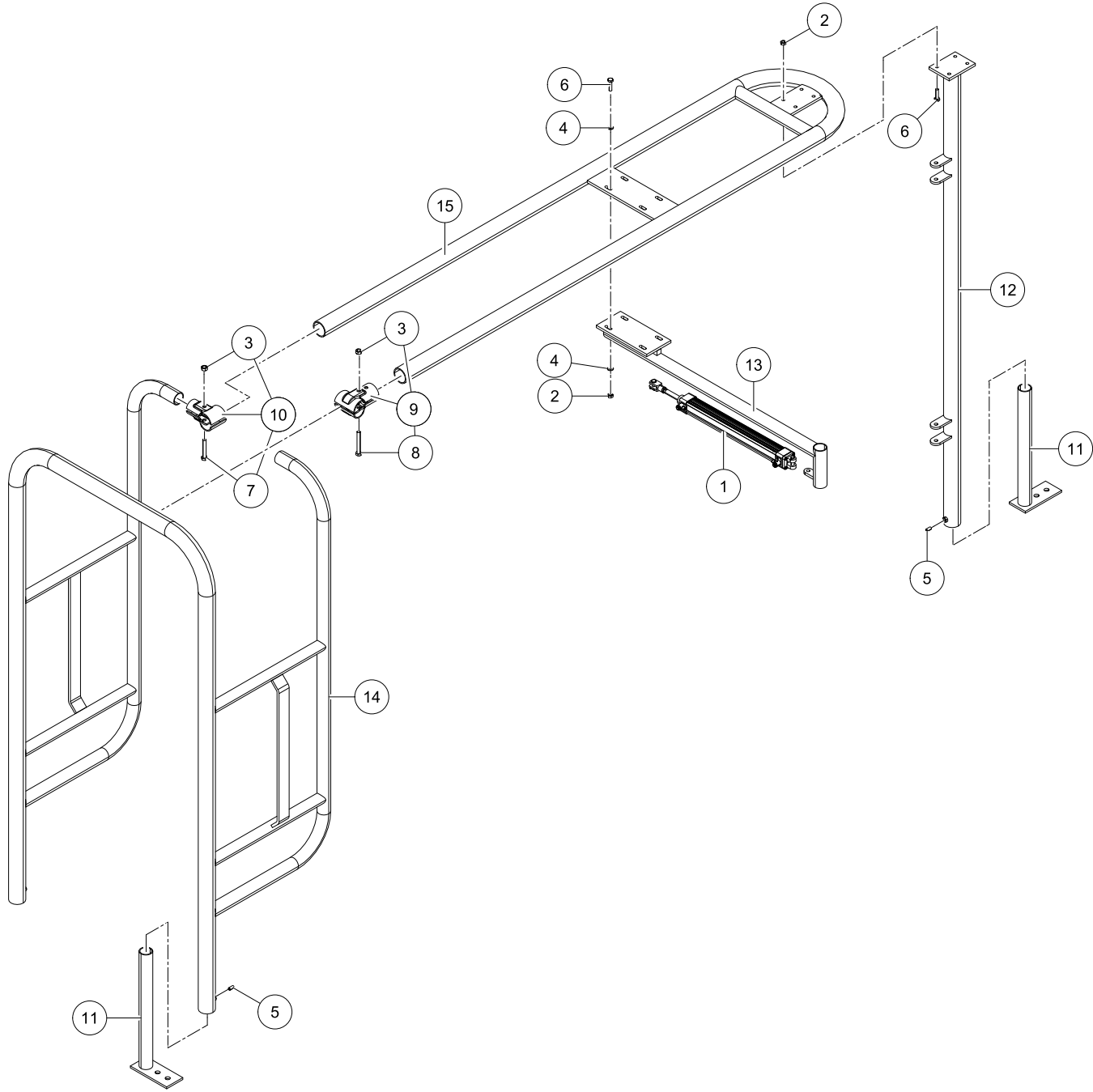
Ref.	Part No	Qty.	Description	Techn. info	Criticality	Remark
1	5.1530.0222.0	1	Gate	weld th. galv.		
2	5.1530.1499.0	1	Plate			
3	5.1530.9093.0	2	Bushing			
4	5.1530.9094.0	4	Bearing bushing		1	
5	9.1030.0004*2	2	Nut	M10 DIN985-8	Bulk	
6	9.1030.0013*4	2	Nut	M12 DIN985-8	Bulk	
7	9.1048.0007*1	2	Washer	A10,5 DIN 125-St	Bulk	
8	9.1048.0041*0	2	Washer	A13 DIN 9021	Bulk	
9	9.1105.0025.4	2	Vibration damper			
10	9.1113.0026*4	2	Bolt	M10x16 DIN933-8.8	Bulk	
11	9.1113.0057*0	2	Bolt	M12x60 DIN931-8.8	Bulk	
12	9.1113.0120*0	2	Bolt	M10x30 DIN933-8.8		

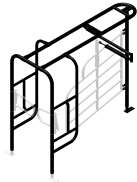
D000403-002

Segregation Gate

A-2







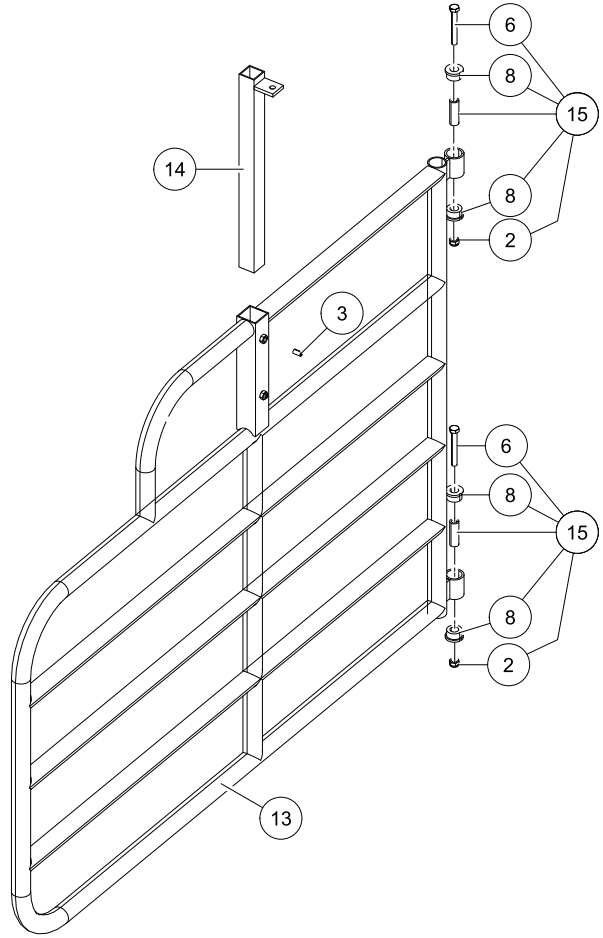
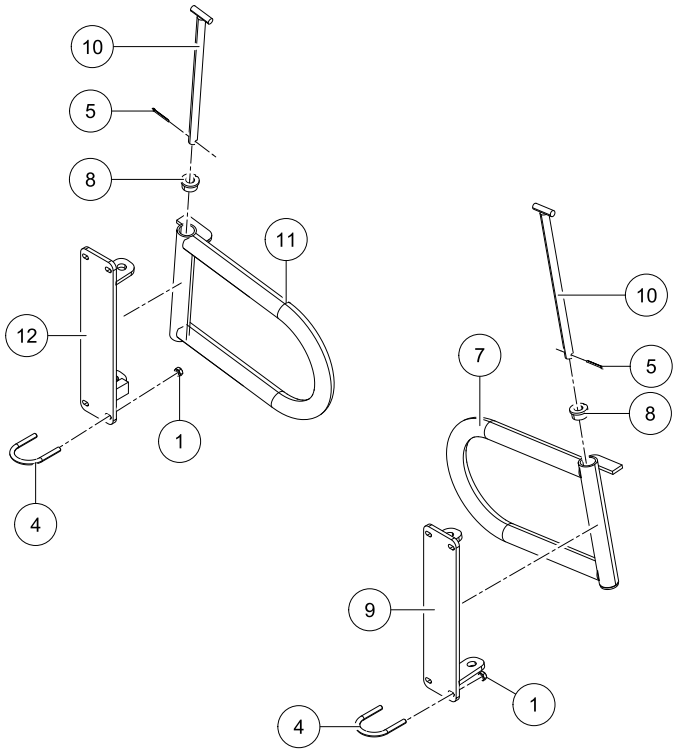
Lely Astronaut A5

Routing
Equipment

5.1X05.00XX-X

0003242094

Ref.	Part No	Qty.	Description	Techn. info	Criticality	Remark
1	5.1001.5949.1	1	Cylinder		1	(see page 23)
2	9.1029.0005*4	8	Nut	M10 DIN934-8		
3	9.1029.0008*0	4	Nut	M12 DIN934-8		
4	9.1048.0007*1	8	Washer	A10,5 DIN 125-St	Bulk	
5	9.1063.0038.0	3	Adj.screw M10x20 DIN916 A2 s/s			
6	9.1113.0032*3	8	Bolt	M10x40 DIN931-8.8		
7	9.1113.0060*3	2	Bolt	M12x75 DIN931-8.8		
8	9.1113.0064*0	2	Bolt	M12x90 DIN931-8.8		
9	9.1125.0011.0	2	T clamp 60x60			
10	9.1125.0012.0	2	T-clamp 60x48			
11	9.1185.0952.0	3	Texas gates ass.	de Rooij H2038		
12	9.1185.0956.0	1	Gate door			
13	9.1185.0959.0	1	Bracket			
14	9.1185.0961.0	1	Portaal			
15	9.1185.0962.0	1	Boven frame			





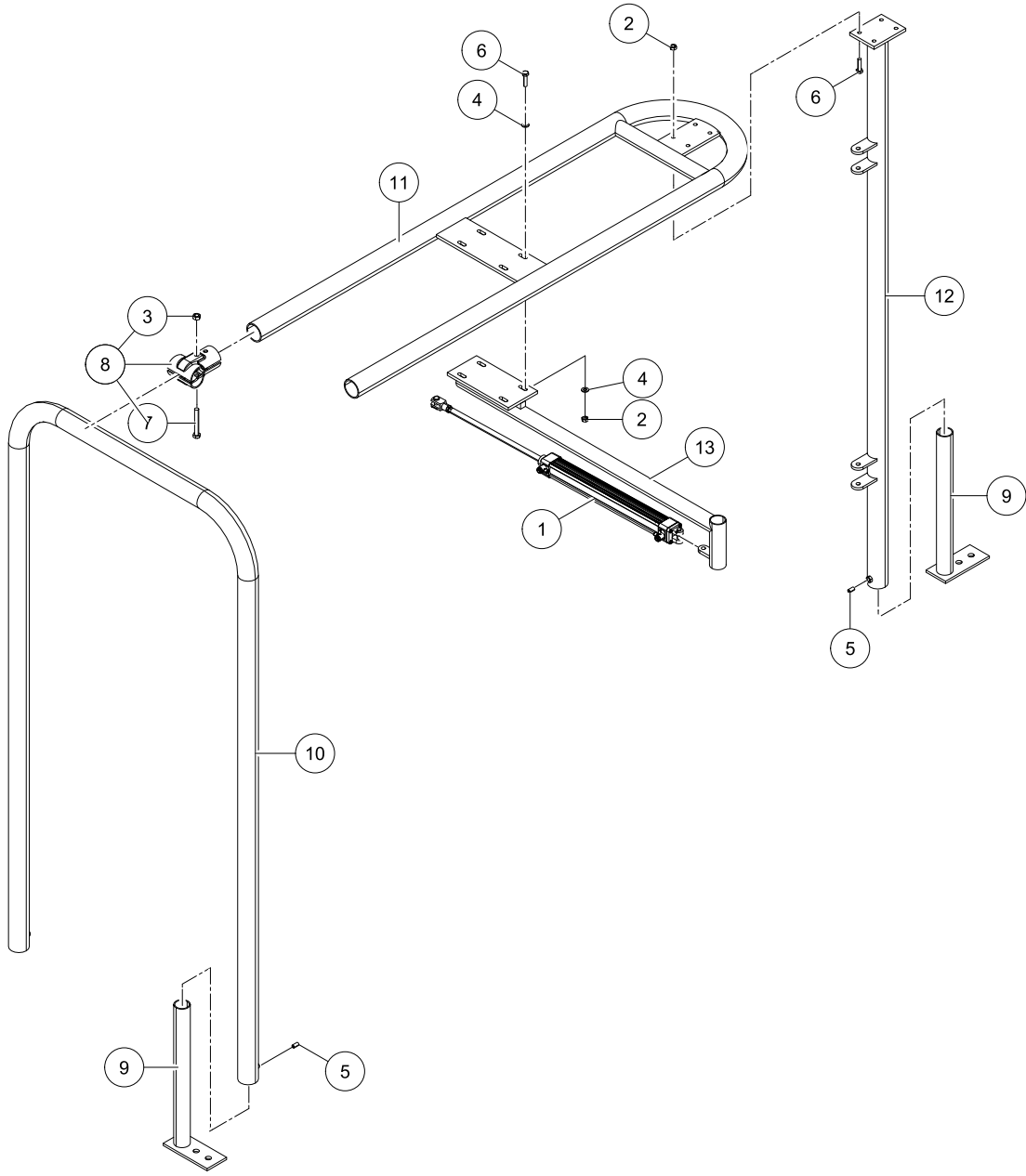
Lely Astronaut A5

Routing
Equipment

5.1X05.00XX-X

0003242094

Ref.	Part No	Qty.	Description	Techn. info	Criticality	Remark
1	9.1029.0005*4	8	Nut	M10 DIN934-8		
2	9.1030.0013*4	2	Nut	M12 DIN985-8	Bulk	
3	9.1063.0038.0	2	Adj.screw M10x20 DIN916 A2 s/s			
4	9.1066.0013.3	4	Rohrschelle			
5	9.1072.0005.3	2	Split pin	4x40 DIN94-St		
6	9.1113.0064*0	2	Bolt	M12x90 DIN931-8.8		
7	9.1185.0945.0	1	Saloon door RH	De rooij H0013		
8	9.1185.0946.0	8	Bearing			
9	9.1185.0948.0	1	Hinge plate RH	de Rooij H0010		
10	9.1185.0949.0	2	Hinge pin			
11	9.1185.0950.0	1	Saloon door LH	de Rooij H0014		
12	9.1185.0951.0	1	Hinge plate LH	de Rooij H0011		
13	9.1185.0957.0	1	Gate door			
14	9.1185.0958.0	1	Bracket			
15	9.1185.0960.0	2	Bearing kit			





Lely Astronaut A5

Routing
Equipment

5.1X05.00XX-X

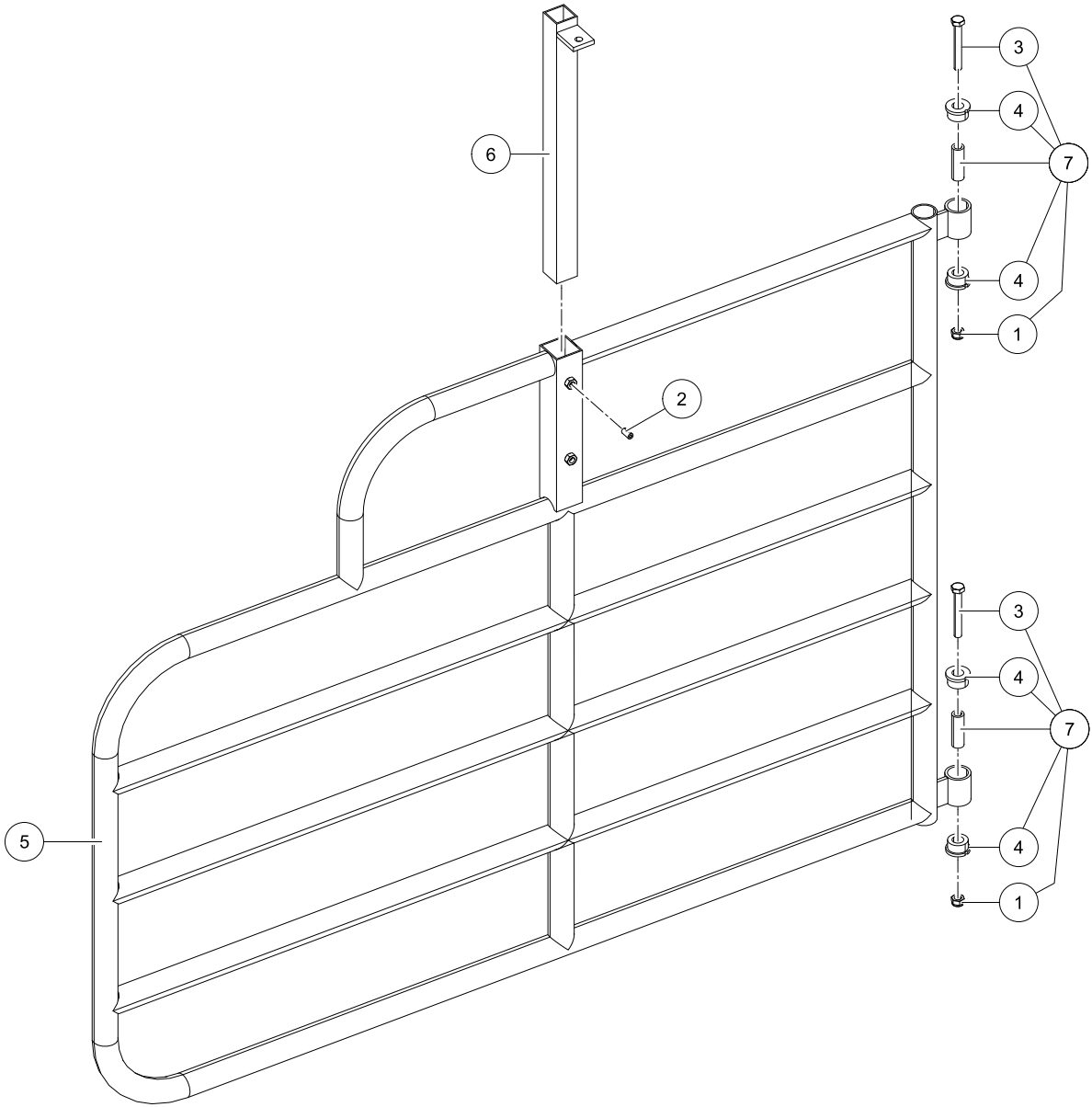
0003242094

Ref.	Part No	Qty.	Description	Techn. info	Criticality	Remark
1	5.1001.5949.1	1	Cylinder		1	(see page 23)
2	9.1029.0005*4	8	Nut	M10 DIN934-8		
3	9.1029.0008*0	2	Nut	M12 DIN934-8		
4	9.1048.0007*1	8	Washer	A10,5 DIN 125-St	Bulk	
5	9.1063.0038.0	3	Adj.screw M10x20 DIN916 A2 s/s			
6	9.1113.0032*3	8	Bolt	M10x40 DIN931-8.8		
7	9.1113.0064*0	2	Bolt	M12x90 DIN931-8.8		
8	9.1125.0011.0	2	T clamp 60x60			
9	9.1185.0952.0	3	Texas gates ass.	de Rooij H2038		
10	9.1185.0953.0	1	Texas gates ass.	de Rooij H2038		
11	9.1185.0955.0	1	Gate door			
12	9.1185.0956.0	1	Gate door			
13	9.1185.0959.0	1	Bracket			

D000403-005

I-Flow Segregation Gate (Short)

A-5





Lely Astronaut A5

Routing
Equipment

5.1X05.00XX-X

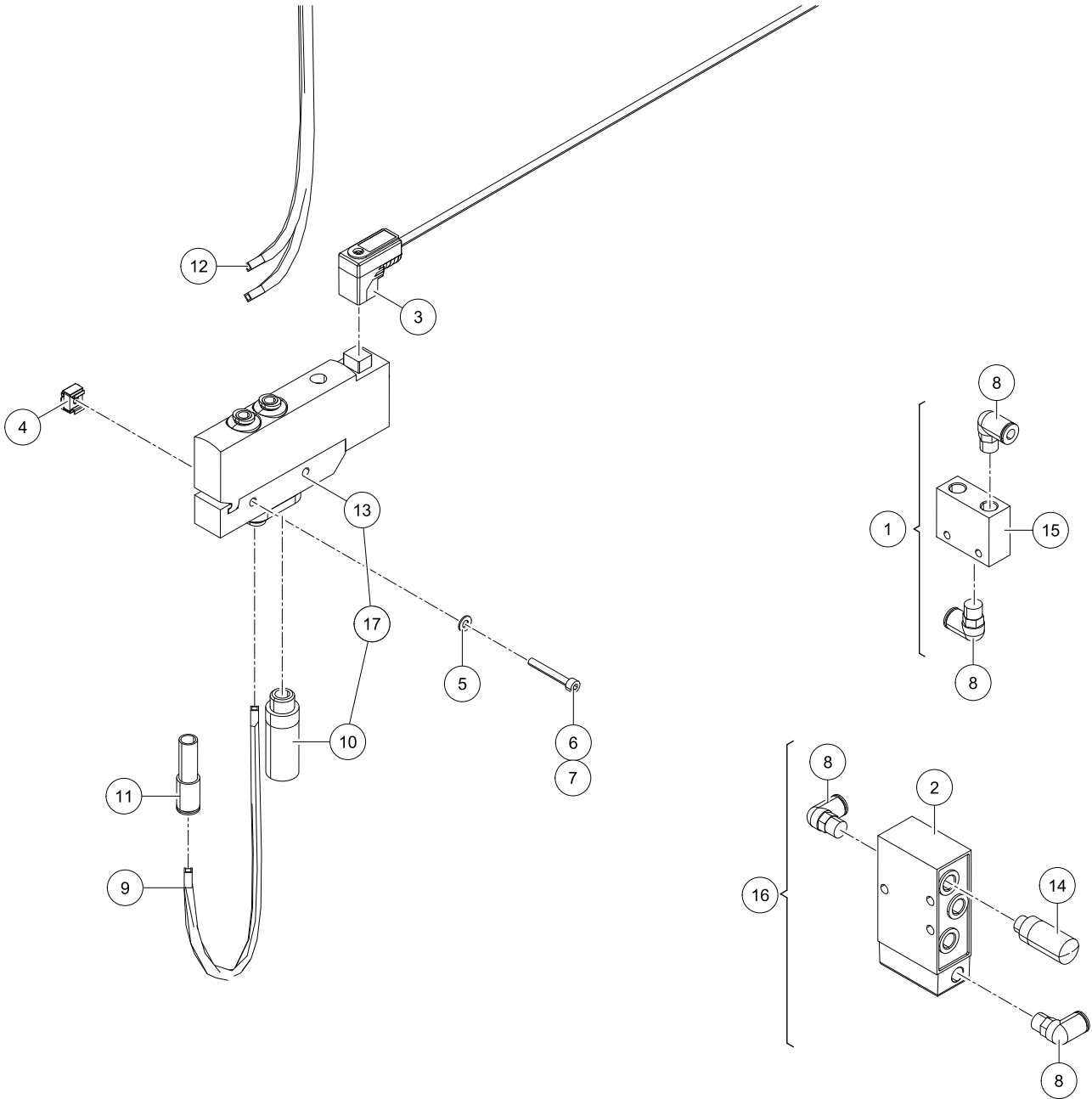
0003242094

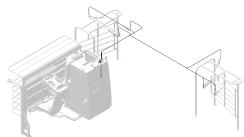
Ref.	Part No	Qty.	Description	Techn. info	Criticality	Remark
1	9.1030.0013*4	2	Nut	M12 DIN985-8	Bulk	
2	9.1063.0038.0	2	Adj.screw M10x20 DIN916 A2 s/s			
3	9.1113.0064*0	2	Bolt	M12x90 DIN931-8.8		
4	9.1185.0946.0	4	Bearing			
5	9.1185.0957.0	1	Gate door			
6	9.1185.0958.0	1	Bracket			
7	9.1185.0960.0	2	Bearing kit			

D000403-006

I-Flow Segregation Gate (Short)

A-6





Lely Astronaut A5

Routing
Equipment

5.1X05.00XX-X

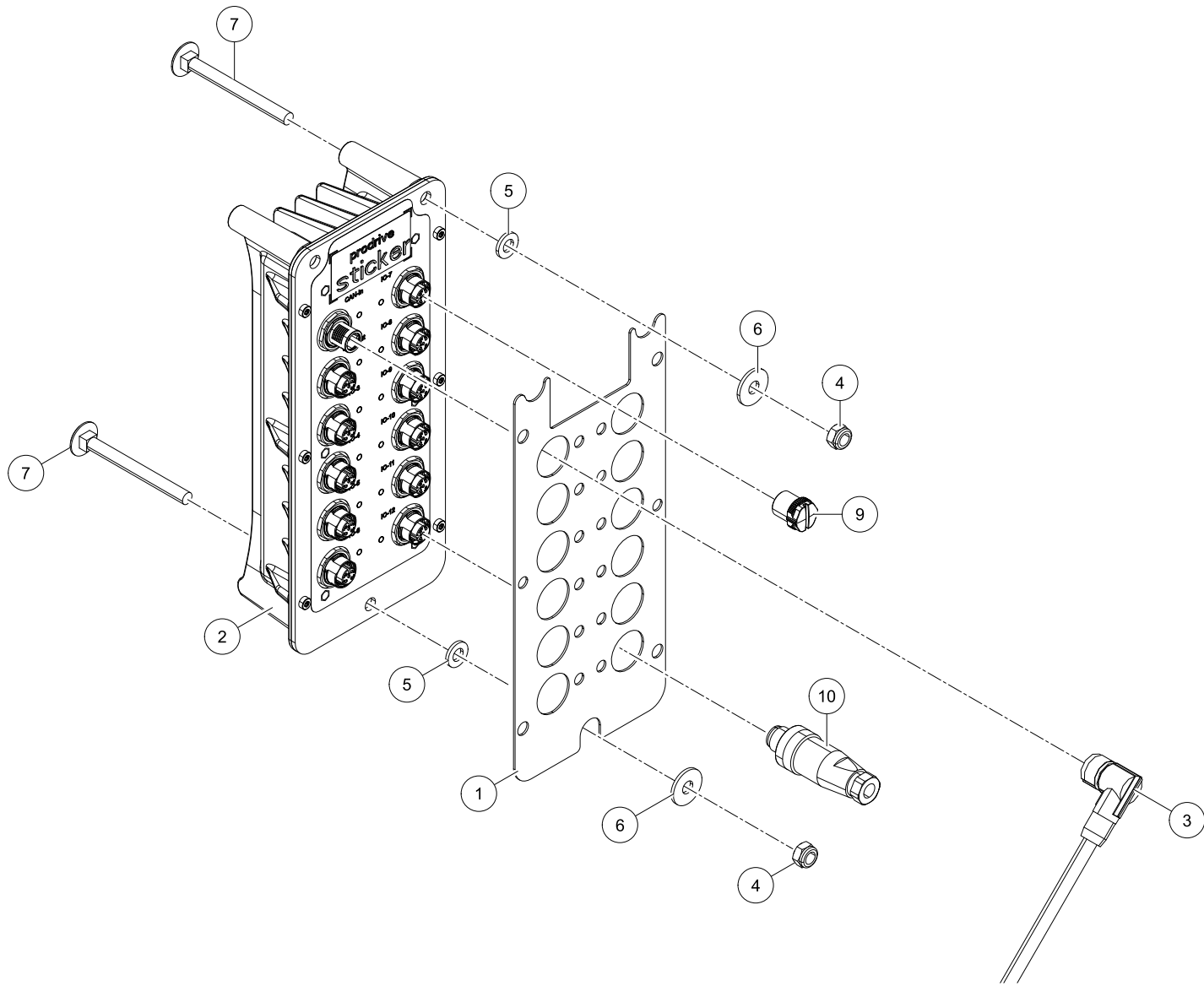
0003242094

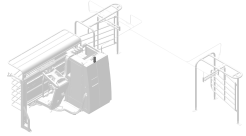
Ref.	Part No	Qty.	Description	Techn. info	Criticality	Remark
1	5.1004.5771.0	1	PCB			
2	5.1004.5772.0	1	PCB			
3	6.2001.1047.0	2	Cable SAC-3P-MR/0,6-PUR/C-1L-Z	SCO	2	
4	9.1036.0105.0	4	Nut	Cage nut S/S M4 1.7-2.5 8.3x8.3		
5	9.1048.0089.6	4	Washer	A4,3 DIN125-A2 s/s	Bulk	
6	9.1057.0122.2	4	S.h. bolt	M4x30 DIN912-A2 s/s	Bulk	
7	9.1057.0174.0	4	Screw	M 4x 50 rvs A2		
8	9.1138.0049.4	7	Plug-in coupling	1/8"x6mm (_)	Bulk	
9	9.1138.0064.5	2	Tube	Blue PA 6mm, L=1050mm	Bulk	
10	9.1138.0134.5	2	Silencer		Bulk	
11	9.1138.0166.2	2	Adapter ring	10-6mm	Bulk	
12	#####	1	Not separately			((9.1138.0063.4 PN hose BLACK 6mm PA), (9.1138.0064.5 PN hose BLUE 6mm))
13	9.1138.0918.0	2	Valve block			
14	9.1138.0988.0	2	Flange	Swivel eye bracket parker nr. 4601387		
15	9.1138.1003.0	1	Kit	Service Kit Wire Harness S-LINA 80		
16	9.1138.1004.0	1	Kit	Service Kit Wire Harness S-LINA 80		
17	9.1138.1160.0	2	Valve ass.		1	

D000403-007

Valve

A-7





Lely Astronaut A5

Routing
Equipment

5.1X05.00XX-X

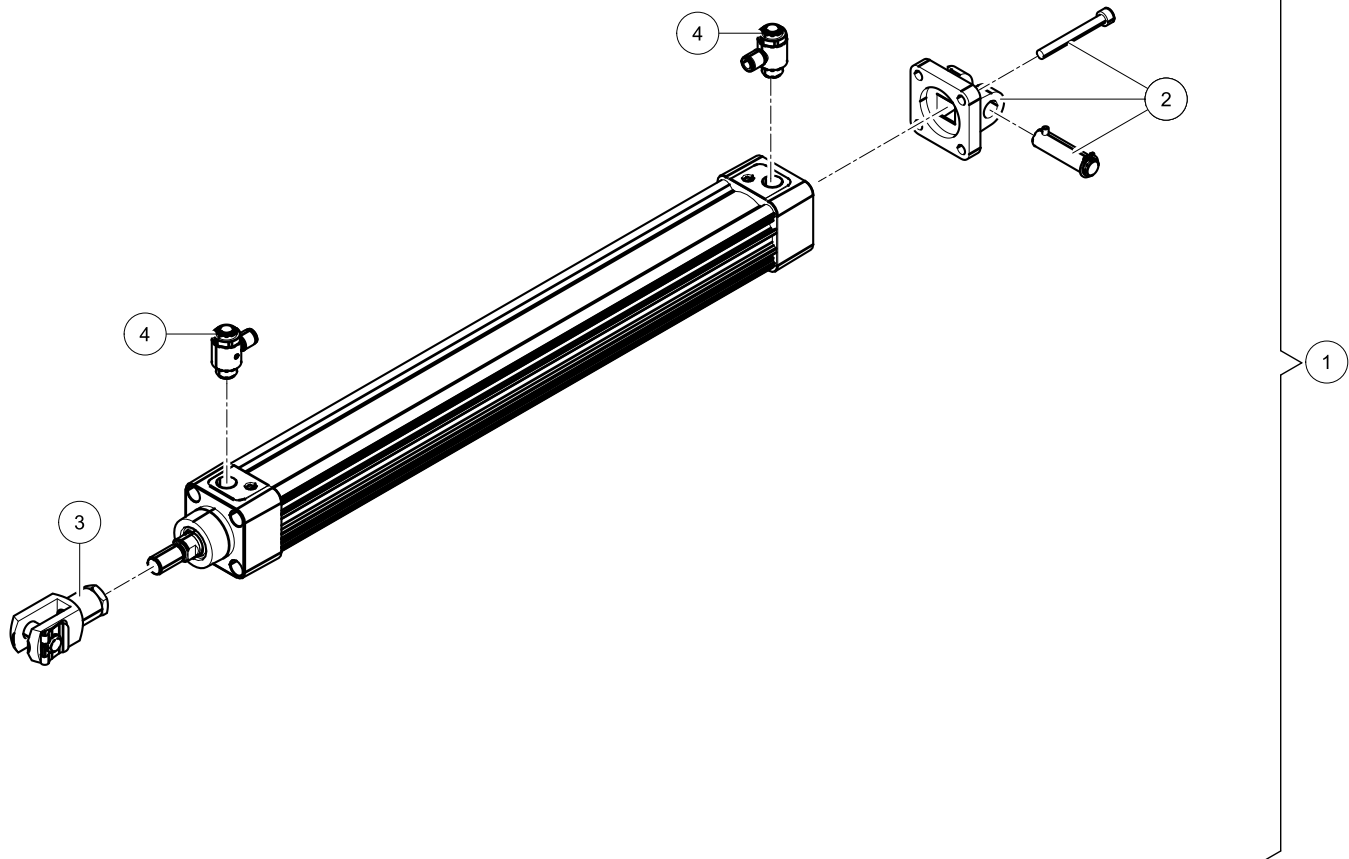
0003242094

Ref.	Part No	Qty.	Description	Techn. info	Criticality	Remark
1	5.1005.3050.0	1	Label		1	
2	6.2001.0275.0	1	Module		2	
3	6.2001.1041.0	1	Cable		2	
4	9.1030.0021.5	3	Nut	M6 DIN985 A2-2 s/s	Bulk	
5	9.1048.0090.0	3	Washer	A6,4 DIN125-A2 s/s	Bulk	
6	9.1048.0095.5	3	Washer	A6,4 DIN9021-A2 s/s	Bulk	
7	9.1058.0059.1	3	Coach bolt	M6x65 DIN603-A2 s/s		
8	#####	2	Not separately			
9	9.1186.1059.0	12	Plug	M12 screw plug SPEEDCON		
10	9.1186.1067.0	2	Connector M12 A		2	

D000403-008

GIOB

A-8



D000369-001

Cylinder

A-9



Lely Astronaut A5 Routing Equipment 5.1X05.00XX-X 0003242094



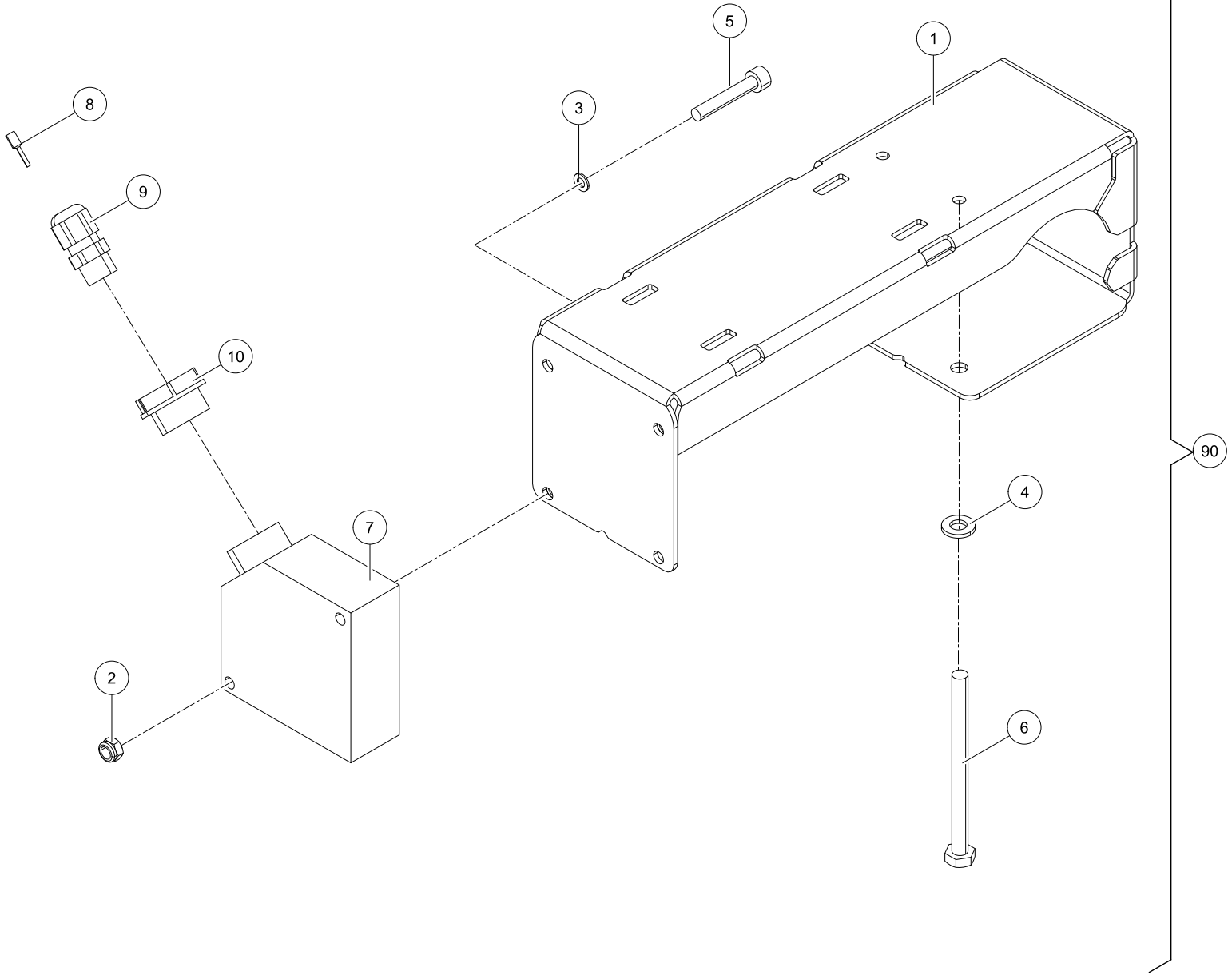
Ref.	Part No	Qty.	Description	Techn. info	Criticality	Remark
1	5.1001.5949.1	1	Cylinder		1	
2	9.1038.0023.6	1	Yoke			
3	9.1038.0024.0	1	Yoke		2	
4	9.1138.1072.0	2	Coupling	Flow control regulator		

D000369-001

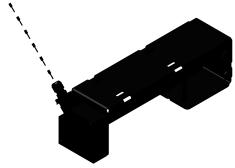
Cylinder

A-9





26



Lely Astronaut A5

Routing
Equipment

5.1X05.00XX-X

0003166452

Ref.	Part No	Qty.	Description	Techn. info	Criticality	Remark
1	5.1004.7171.0	1	Bracket			
2	9.1030.0035.5	2	Nut	M5 DIN985 A2-2 s/s	Bulk	
3	9.1048.0086.3	2	Washer	A5,3 DIN125-A2 s/s	Bulk	
4	9.1048.0090.0	2	Washer	A6,4 DIN125-A2 s/s	Bulk	
5	9.1057.0090.5	2	S.h. bolt	M5x30 DIN912-A2 s/s		
6	9.1113.0500.2	2	Bolt	M6x80 DIN931-A2-70 s/s		
7	9.1183.0062.0	1	Photo cell		2	
8	9.1186.0018.0	6	Cable	4x0,75mm ² 100m		
9	9.1186.0244.2	1	Swivel	M12x1.5	Bulk	
10	9.1186.0533.4	1	Adapter reducer			
90	5.1004.7274.0	1	Set photocel TCS			

D000527-001

Tandem Cow Separation (TCS)

A-28



Lely Industries N.V.

Cornelis van der Lelylaan 1

NL-3147 PB Maassluis

Tel +31 (0)88 - 12 28 221

Fax +31 (0)88 - 12 28 222

