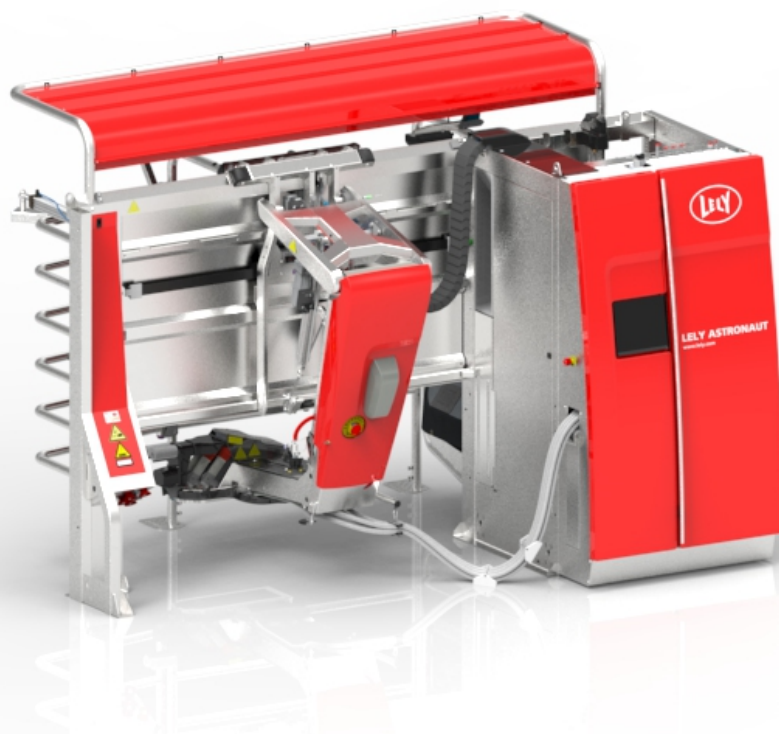


# Lely Astronaut A5 Robot Arm



## Parts list

5.1005.8573.0 K

English Original





INTENTIONALLY BLANK



# Preface

## Applicability

Type number:	As from serial number:
5.1X05.00XX-X	0003242094

## Spare Parts

When ordering spare parts it is important that you are aware of the type and serial number of your machine. Use only genuine LELY parts.

## Criticality

Criticality = Bulk, 0, 1, 2

- Bulk = Bulk item.
- 0 = Not critical.
- 1 = Not very critical.
- 2 = Critical.

## Explanation of Signs Used in the Parts List

[R] / [RH]	By RH or LH version the position of the part is meant, seen from the rear of the machine.
[L] / [LH]	
[~]	E.g.: LH version is not similar to the RH version, which is actually shown.
[#]	Not available seperately.



INTENTIONALLY BLANK

# Table of Contents

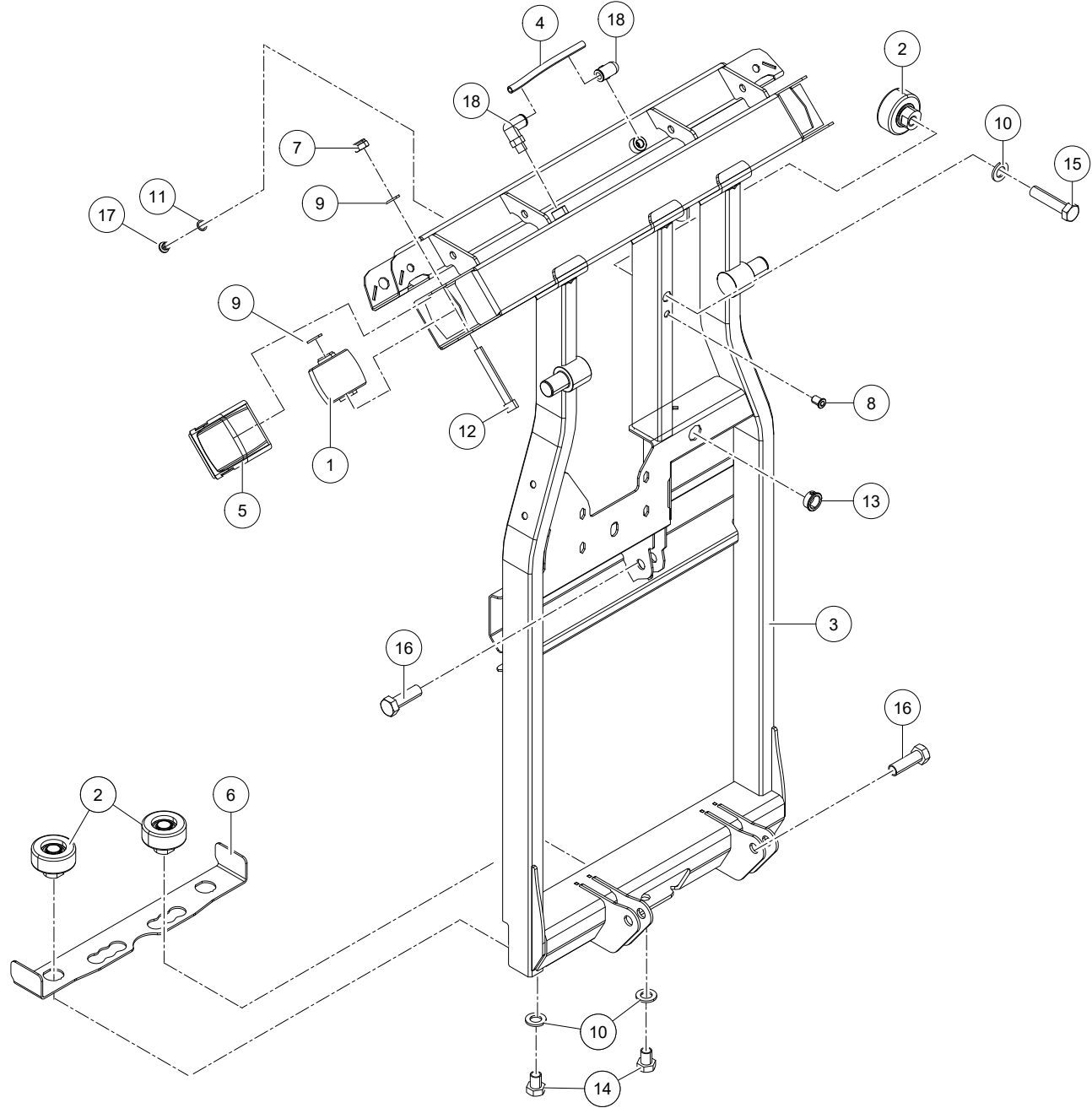
<b>A</b>	<b>Wagon</b> .....	<b>8</b>
A-1	Wagon .....	8
A-2	Y-motor & Toothed Belt .....	10
A-3	Cable Chain .....	12
A-4	Protector .....	14
<b>B</b>	<b>Upper Arm</b> .....	<b>16</b>
B-1	Upper Arm .....	16
B-2	Breather Unit .....	18
<b>C</b>	<b>Middle Arm</b> .....	<b>20</b>
C-1	Middle Arm .....	20
C-2	Middle Arm Components .....	22
C-3	Giob (LP)/BRB/GCB (ACB) .....	24
C-4	Reducer .....	26
C-5	Emergency Stop Switch .....	28
C-6	Teat Disinfection Valve .....	30
C-7	Support .....	32
C-8	Buffer .....	34
C-9	Brush Cleaning .....	36
C-10	Sprayer .....	38
<b>D</b>	<b>Cylinder &amp; Z/Y Actuator</b> .....	<b>40</b>
D-1	Cylinders .....	40
D-2	Balancing Cylinder .....	42
D-3	Z Actuator & Associated Items .....	44
D-4	X Actuator & Associated Parts .....	46
<b>E</b>	<b>Lower Arm</b> .....	<b>48</b>
E-1	Lower Arm .....	48
E-2	MQC-2 .....	50
E-3	Pulsator Unit .....	52
E-4	Shut-off Sleeves Valves (Type 1) .....	54
E-5	Shut-off Sleeves Valves (Type 2) .....	56
E-6	Shut-off Sleeves .....	58
E-7	Pre-Milk and Shut-off Device (Type 2) .....	60
E-8	Pre-Milk and Shut-off Device (Type 2) .....	62



E-9	Shut-off Sleeves Valves (Type 3)	64
E-10	Pre-Milk Device	66
<b>F</b>	<b>Mothership</b>	<b>68</b>
F-1	TDS-II	68
F-2	Guiding Plates	70
F-3	Teat Cup	72
F-4	Tilting Cup	74
F-5	Tilt & Fixation Cylinders	76
F-6	Chain Set	78
F-7	Teat Cup Sleeve (All Options)	80
F-8	Bleed Hole Needle	82
<b>G</b>	<b>Cleaning Arm</b>	<b>84</b>
G-1	Cleaning Arm	84
G-2	Cleaning Arm Cylinder	86
G-3	Clamping Bearing Cleaning	88
G-4	Electric Udder Cleaning Unit	90
G-5	Repair Parts Brush Unit	92



INTENTIONALLY BLANK

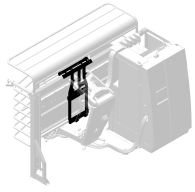


D000390-001

Wagon

A-1





Lely Astronaut A5      Robot Arm      5.1X05.00XX-X      0003242094

Ref.	Part No	Qty.	Description	Techn. info	Criticality	Remark
1	5.1003.1650.0	4	Wheel assembly		1	
2	5.1003.1660.0	4	Wheel assembly		1	
3	5.1005.0956.0	1	Frame weld.pp			
4	9.1138.1154.0	1	Tube	PUN.H 10x1.5 SI, L=155.5mm		
5	5.1005.1988.0	4	Cover		1	
6	5.1005.2485.0	1	Plate		1	
7	9.1030.0023.0	4	Nut	M12 DIN985 A2-2 s/s	Bulk	
8	9.1036.0118.0	1	Insert M6			
9	9.1048.0080.4	8	Washer	A13 DIN125-A2 s/s	Bulk	
10	9.1048.0085.2	4	Washer	A17 DIN125-A2 s/s	Bulk	
11	9.1049.0042.0	1	Sealing ring			
12	9.1057.0154.6	4	S.h. bolt	M6x30 DIN912-A2 s/s		
13	9.1108.0183.0	1	Ring		1	
14	9.1113.0514.2	3	Bolt	M16x20 DIN933-A2 s/s	Bulk	
15	9.1113.0515.3	1	Bolt	M16x70 DIN931-A2 s/s	2	
16	9.1113.0560.0	3	Bolt	M16x50 DIN933-A2-2 s/s		
17	9.1131.0019.0	1	Plug		2	
18	9.1138.0176.5	2	Plug-in coupling	1/4"x10mm (└)	2	

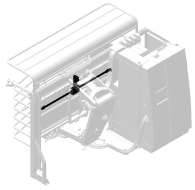
D000390-001

Wagon

A-1



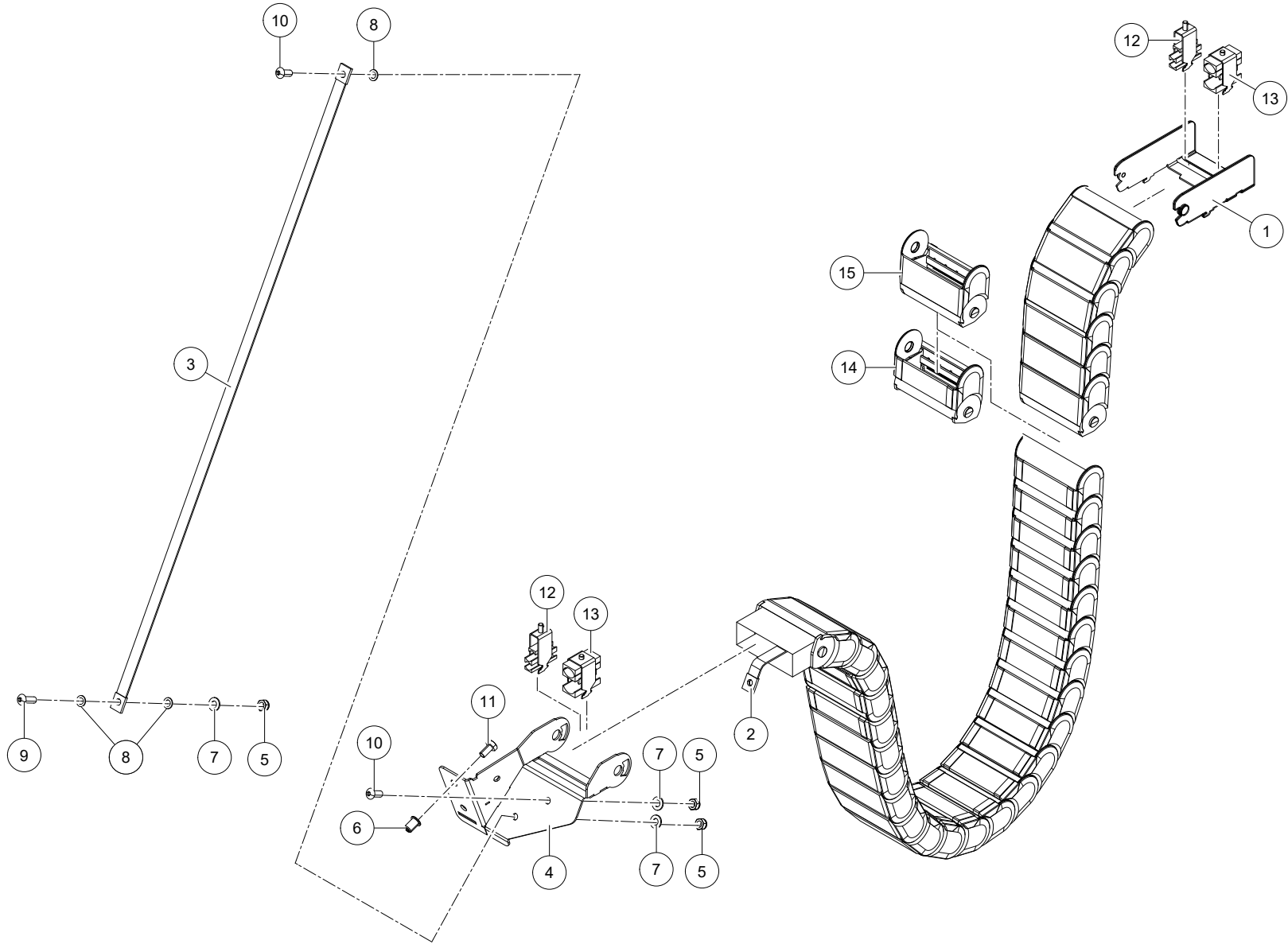


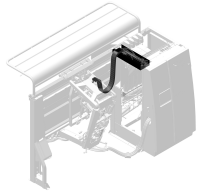


Lely Astronaut A5      Robot Arm      5.1X05.00XX-X      0003242094

Ref.	Part No	Qty.	Description	Techn. info	Criticality	Remark
1	#####	1	Not separately			
2	5.1004.0580.0	1	Y-drive sub		2	
3	#####	1	Not separately			
4	5.1004.1313.0	2	Roll			
5	5.1004.1314.0	1	Gear			
6	5.1004.1315.0	1	Coupling		2	
7	5.1004.1319.0	1	Y belt	8x35 A2-70 s/s ISO7380	2	
8	#####	1	Not separately			
9	5.1005.3054.0	1	Plate		1	
10	5.1005.3691.0	1	Motor	Y-DRIVE MOTOR		
11	6.2001.1020.0	1	Cable	SAC-5P-MS-FR SCO BUS	2	
12	9.1001.0118.5	6	Ball bearing	SS6201-2RS	2	
13	9.1030.0020.4	1	Nut	M8 DIN985 A2-2 s/s	Bulk	
14	9.1030.0021.5	1	Nut	M6 DIN985 A2-2 s/s	Bulk	
15	9.1030.0023.0	1	Nut	M12 DIN985 A2-2 s/s	Bulk	
16	9.1048.0052.4	5	Washer	A8,4 DIN9021-A2 s/s	Bulk	
17	9.1048.0080.4	1	Washer	A13 DIN125-A2 s/s	Bulk	
18	9.1048.0090.0	1	Washer	A6,4 DIN125-A2 s/s	Bulk	
19	9.1058.0032.2	1	Coach bolt	M8x20 DIN603 s/s	Bulk	
20	9.1058.0123.0	1	Carriage bolt M12x160 A2-2 s/s	DIN603	bulk	
21	9.1090.0051.3	1	Spring			
22	9.1113.0290.2	4	Bolt	M8x16 DIN933-A2-2 s/s	Bulk	
23	9.1113.0313.3	1	Bolt	M6x70 DIN931-A2-2 s/s		
24	9.1120.0047.4	3	Locking ring	H32x1,20 DIN472-A2 s/s	1	
25	9.1186.1094.0	1	Resistor		1	
26	5.1004.2950.0	1	Bracket set Y drive		2	







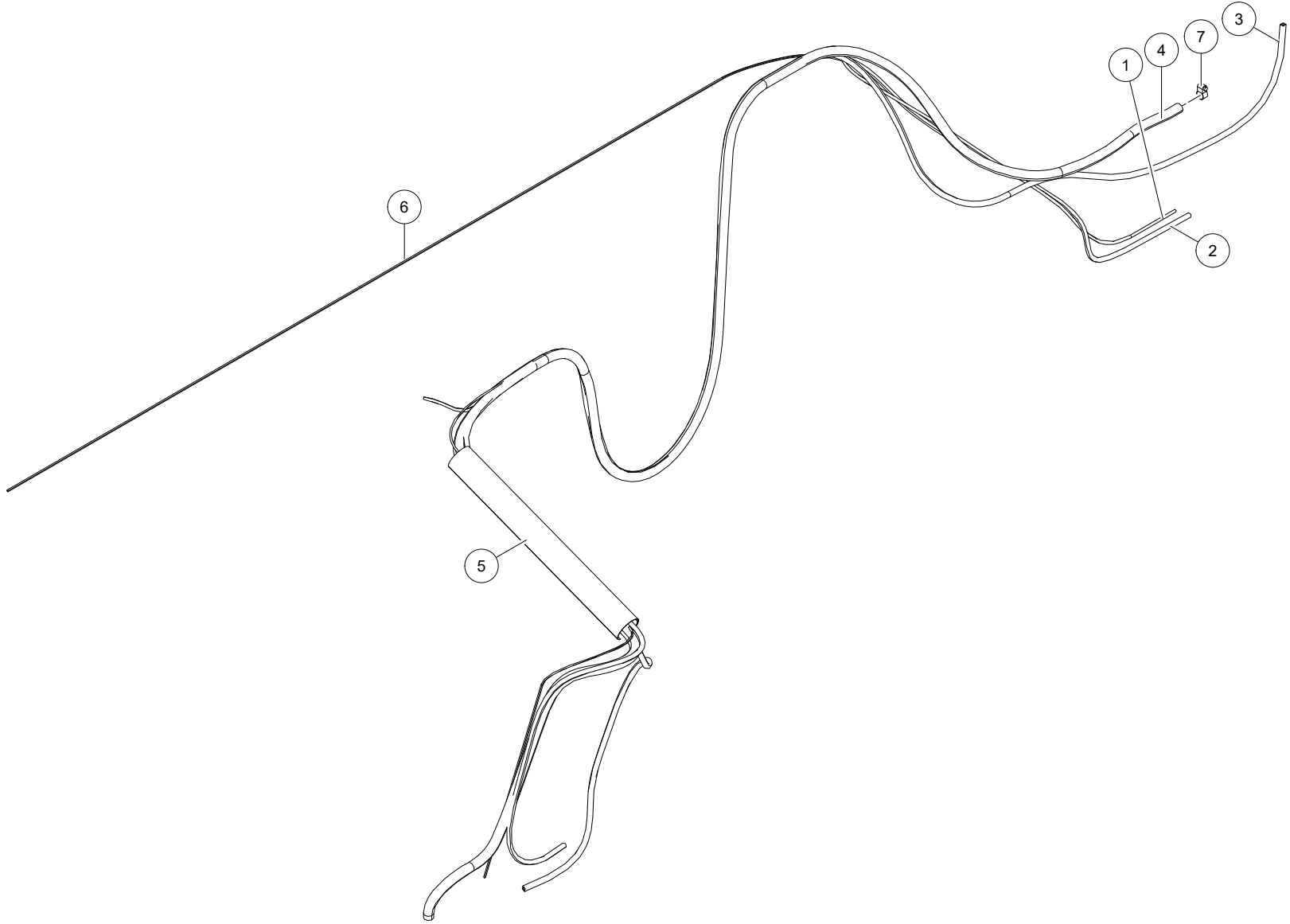
Lely Astronaut A5

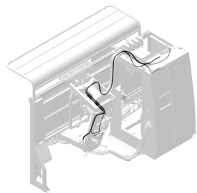
Robot Arm

5.1X05.00XX-X

0003242094

Ref.	Part No	Qty.	Description	Techn. info	Criticality	Remark
1	5.1005.2394.0	1	Bracket			
2	5.1005.2516.0	1	Element		1	
3	5.1005.2517.0	1	Ground stip		1	
4	5.1005.3018.0	[R] 1	Bracket			
	5.1105.3018.0	[L] ~	Bracket			
5	9.1030.0020.4	4	Nut	M8 DIN985 A2-2 s/s	Bulk	
6	9.1036.0118.0	2	Insert M6			
7	9.1048.0050.2	4	Washer	A8,4 DIN125-A2 s/s	Bulk	
8	9.1051.0007.5	6	Serr.lock washer	A8,2 DIN6798 s/s	Bulk	
9	9.1057.0405.5	1	Button head screw	M8x25 ISO7380-1 A2-70	Bulk	
10	9.1057.0439.0	3	Screw	M8x20 ISO7380-A2-70 s/s		
11	9.1113.0290.2	2	Bolt	M8x16 DIN933-A2-2 s/s	Bulk	
12	9.1186.1015.0	8	Clamp			
13	9.1186.1016.0	2	Clamp			
14	9.1186.1017.0	20	Link			
15	9.1186.1065.0	12	Link			





Lely Astronaut A5      Robot Arm      5.1X05.00XX-X      0003242094

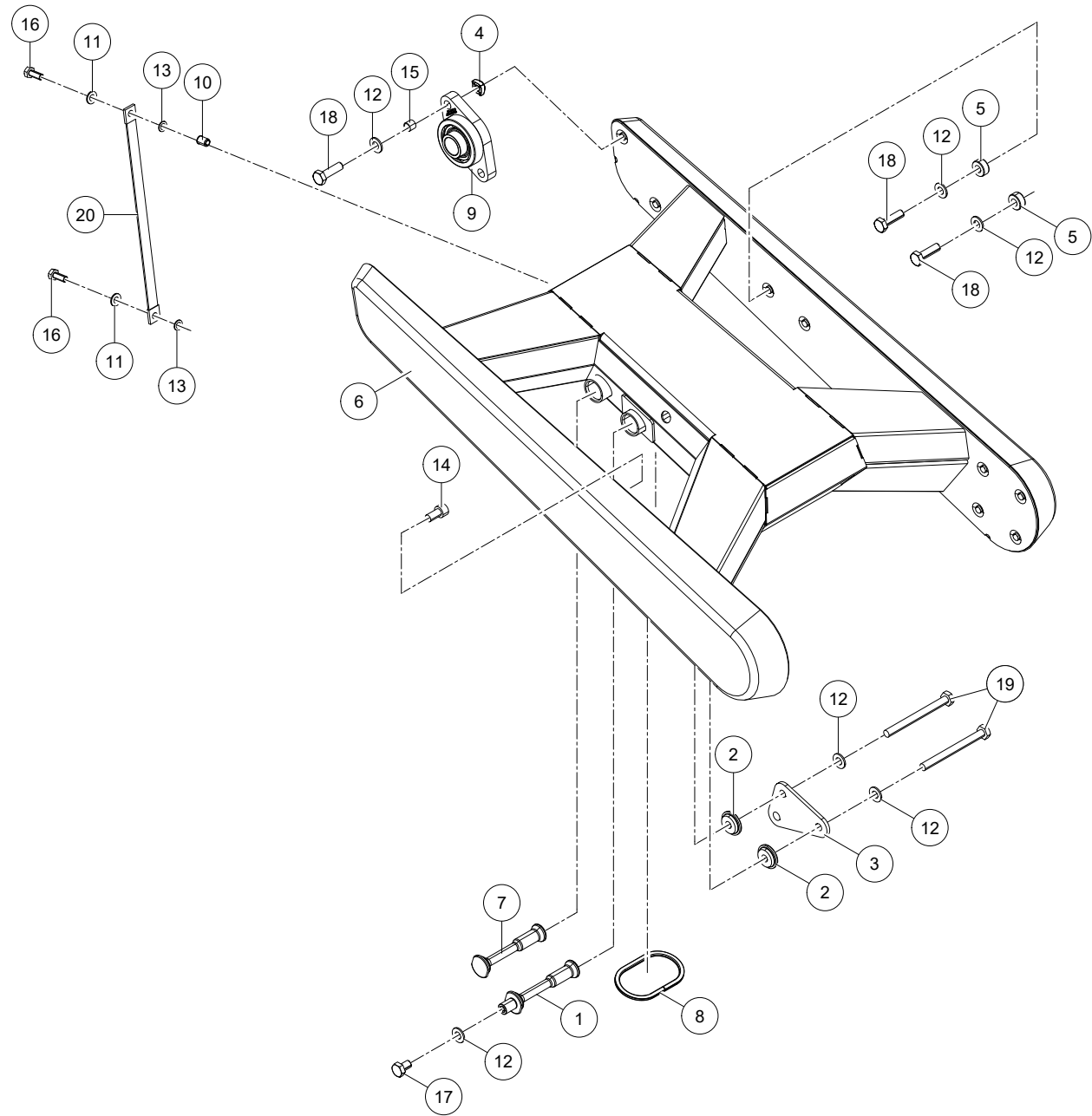
Ref.	Part No	Qty.	Description	Techn. info	Criticality	Remark
1	#####	1	Not separately			
2	#####	1	Not separately			
3	#####	1	Not separately			
4	#####	1	Not separately			
5	5.1005.2796.0	1	Protector			
6	9.1138.0075.2	1	Hose	PUN-H Blue 4mm L= 5000 mm	Bulk	
7	9.1066.0022.5	1	Hose clamp	ø11-ø17 s/s	Bulk	

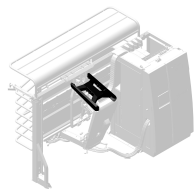
D000387-009

Protector

A-4







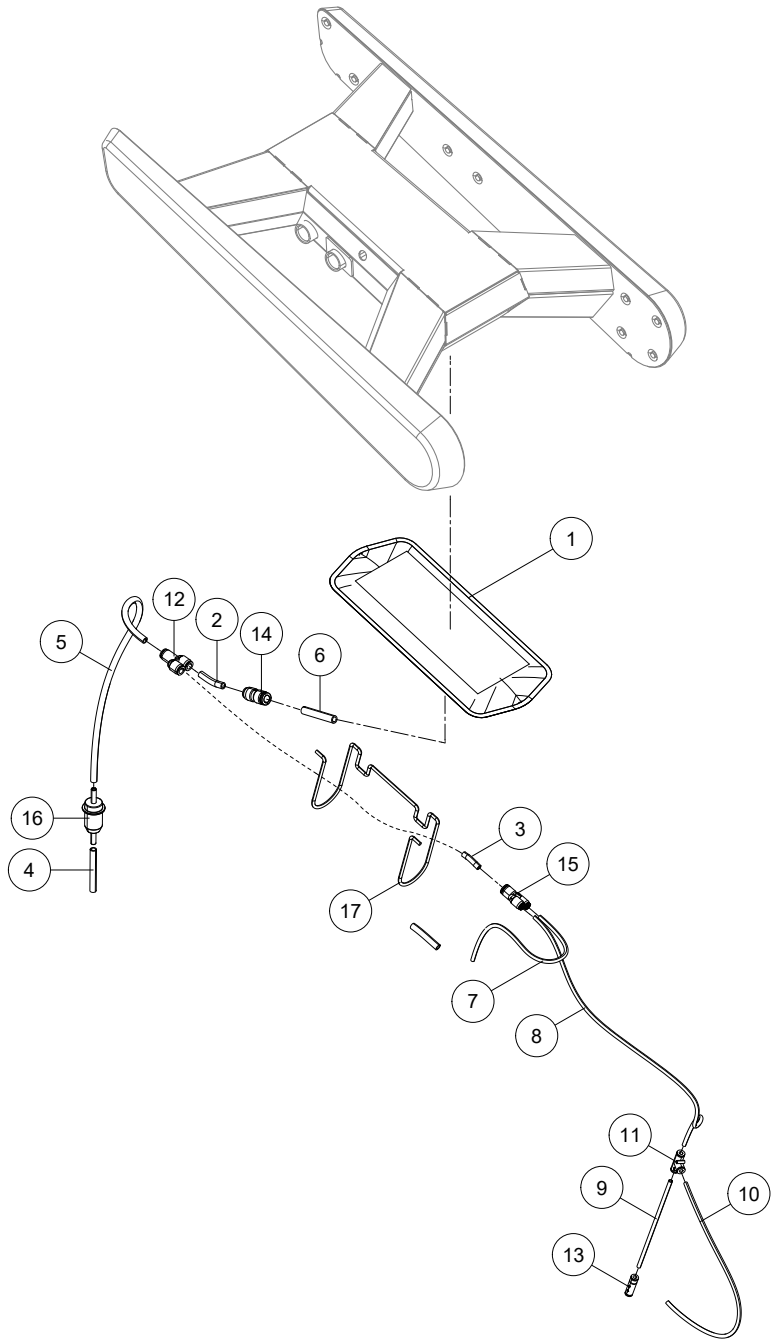
Lely Astronaut A5      Robot Arm      5.1X05.00XX-X      0003242094

Ref.	Part No	Qty.	Description	Techn. info	Criticality	Remark
1	5.1005.3354.0	1	Rod BA	mkVI Z-act pivot	1	
2	5.1005.1452.0	2	Ring		1	
3	5.1005.1910.0	1	Plate			
4	#####	15	Not separately			
5	5.1005.1989.0	2	Bushing		1	
6	5.1005.2039.0	1	Arm weld.		2	
7	5.1005.3355.0	1	Rod BA	Balancing	1	
8	9.1073.0058.6	1	Profile	PE 2mm L= 245		
9	9.1008.0044.0	4	Flange			
10	9.1036.0080.0	1	Nut	M8 AISI302		
11	9.1048.0050.2	2	Washer	A8,4 DIN125-A2 s/s	Bulk	
12	9.1048.0051.3	13	Washer	A10,5 DIN125-A2 s/s	Bulk	
13	9.1051.0007.5	2	Serr.lock washer	A8,2 DIN6798 s/s	Bulk	
14	9.1057.0119.6	1	S.h. bolt	M10x20 DIN912-A2 s/s		
15	9.1073.0042.4	8	Spacer bushing			
16	9.1113.0174.5	2	Bolt	M8x20 DIN933-A2-2 s/s	Bulk	
17	9.1113.0291.3	1	Bolt	M10x16 DIN933-A2-2 s/s		
18	9.1113.0319.2	10	Bolt	M10x35 DIN933-A2-2 s/s	Bulk	
19	9.1113.0521.2	2	Bolt	M10x110 DIN931-A2-2 s/s		
20	9.1186.0996.0	1	Ground stip		1	

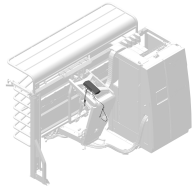
D000390-003

Upper Arm

B-1







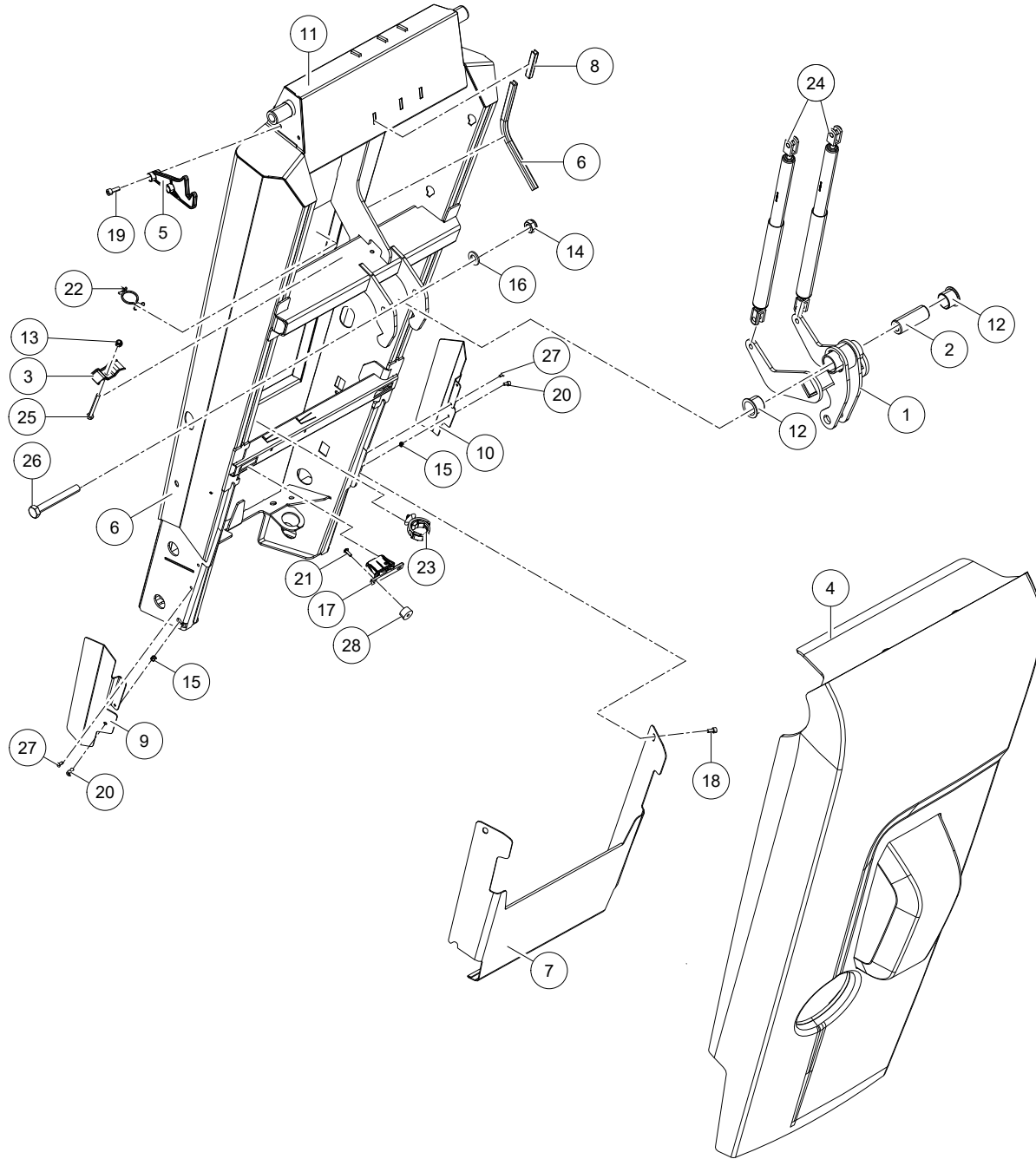
Lely Astronaut A5

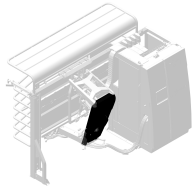
Robot Arm

5.1X05.00XX-X

0003242094

Ref.	Part No	Qty.	Description	Techn. info	Criticality	Remark
1	5.1005.1896.0	1	Tarpaulin		2	
2	9.1138.1154.0	1	Tube	PUN.H 10x1.5 SI, L=40mm		
3	9.1138.1154.0	1	Tube	PUN-H 10x1,5 SI, L=50mm		
4	9.1138.1154.0	1	Tube	PUN.H 10x1.5 SI, L=80mm		
5	9.1138.1154.0	1	Tube	PUN.H 10x1.5 SI, L=600mm		
6	9.1138.0155.5	1	Tube	Blue PUN-H 12mm, L=70mm	Bulk	
7	9.1138.1155.0	1	Tube	PUNH 6mm Silver, L=370mm		
8	9.1138.1155.0	1	Tube	PUNH 6mm Silver, L=660mm		
9	9.1138.1155.0	1	Tube	PUNH 6mm Silver, L=200mm		
10	9.1138.1155.0	1	Tube	PUNH 6mm Silver, L=450mm		
11	9.1138.0053.1	1	Plug-in coupling	6-6-6mm ( T )		
12	9.1138.0165.1	1	Plug-in coupling	10-10-10mm ( Y )	Bulk	
13	9.1138.0398.0	1	Non-return valve	6 6		
14	#####	1	Not separately			
15	#####	1	Not separately			
16	9.1189.0213.0	1	Filter		1	
17	5.1005.1847.0	1	Bracket			





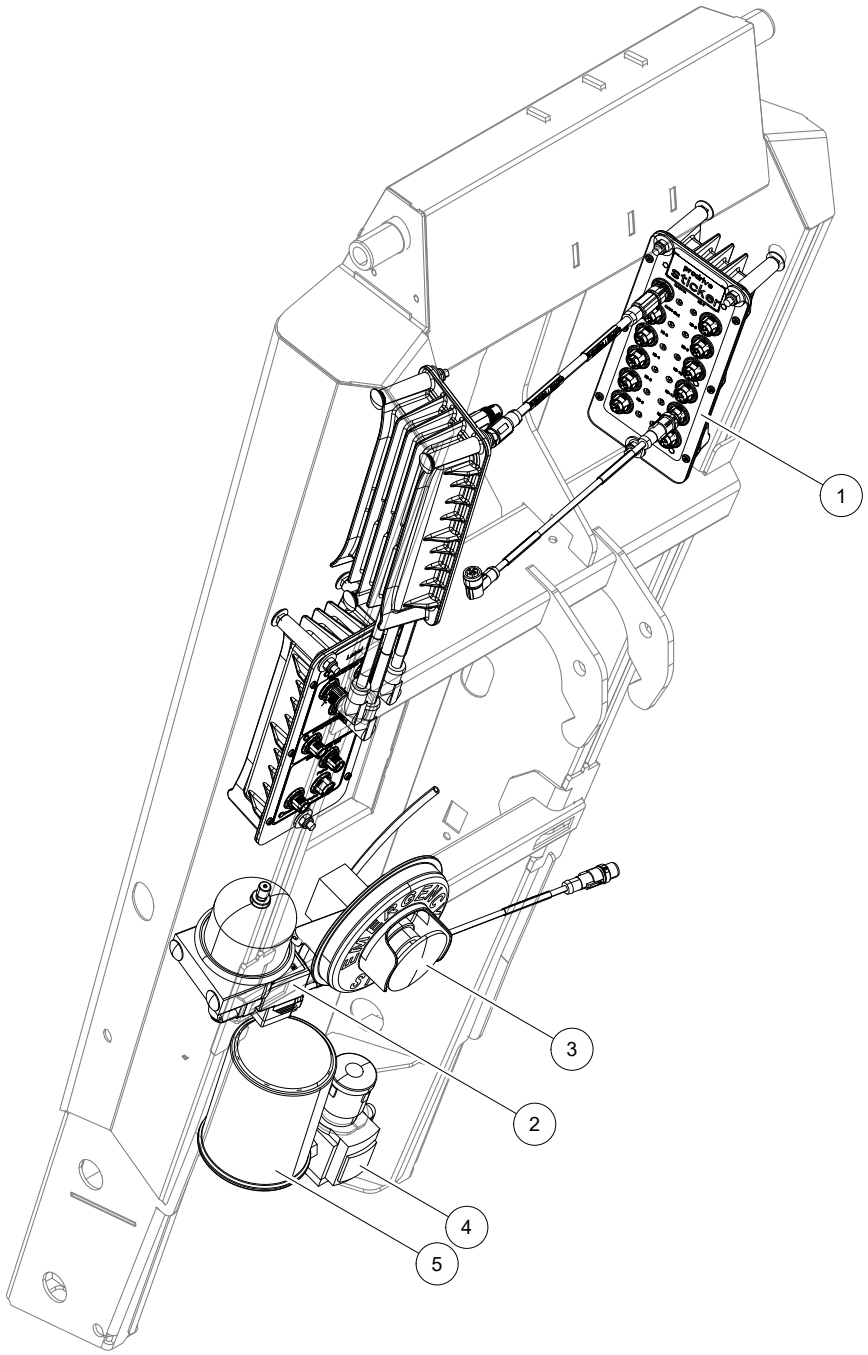
Lely Astronaut A5

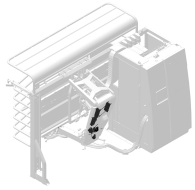
Robot Arm

5.1X05.00XX-X

0003242094

Ref.	Part No	Qty.	Description	Techn. info	Criticality	Remark
1	#####	1	Not separately			
2	#####	1	Not separately			
3	5.1005.2386.0	1	Clamping bracket			
4	5.1005.2404.0	1	Cover			
5	5.1005.2437.0	2	Hook		1	
6	9.1073.0023.6	1	U-shaped band	RIM profile 3mm, L=220mm	Bulk	
7	5.1005.3277.0	1	Cover			
8	#####	1	Not separately			
9	5.1005.3445.0	1	Cover			
10	5.1005.3446.0	1	Cover			
11	#####	1	Not separately			
12	9.1022.0116.0	2	Bearing GFM-2528-21		1	
13	9.1030.0021.5	1	Nut	M6 DIN985 A2-2 s/s	Bulk	
14	9.1030.0023.0	1	Nut	M12 DIN985 A2-2 s/s	Bulk	
15	9.1030.0035.5	2	Nut	M5 DIN985 A2-2 s/s	Bulk	
16	9.1048.0080.4	1	Washer	A13 DIN125-A2 s/s	Bulk	
17	9.1056.0021.0	2	Unit			
18	9.1057.0053.3	2	S.h. bolt	M5x10 DIN912 s/s	Bulk	
19	9.1057.0060.3	4	S.h. bolt	M6x16 DIN912-A2 s/s	Bulk	
20	9.1057.0147.6	2	S.h. bolt	M5x8 DIN912 s/s	Bulk	
21	9.1064.0125.5	4	Screw	4.0x12 A2 s/s	Bulk	
22	9.1073.0094.0	2	Rohrschelle			
23	9.1073.0170.0	2	Clamp 151-00370 AHC3BHR			
24	9.1090.0512.0	2	Spring		2	
25	9.1113.0236.4	1	Bolt	M6x55 DIN931-A2-2 s/s	Bulk	
26	9.1113.0628.0	1	Bolt M12x 95 DIN931-A2 s/s			
27	9.1152.0007.2	4	Blind rivet	4.0x8 s/s		
28	9.1108.0199.0	2	Spacer	Screw-on foot 11.9x8 mm, 51607		

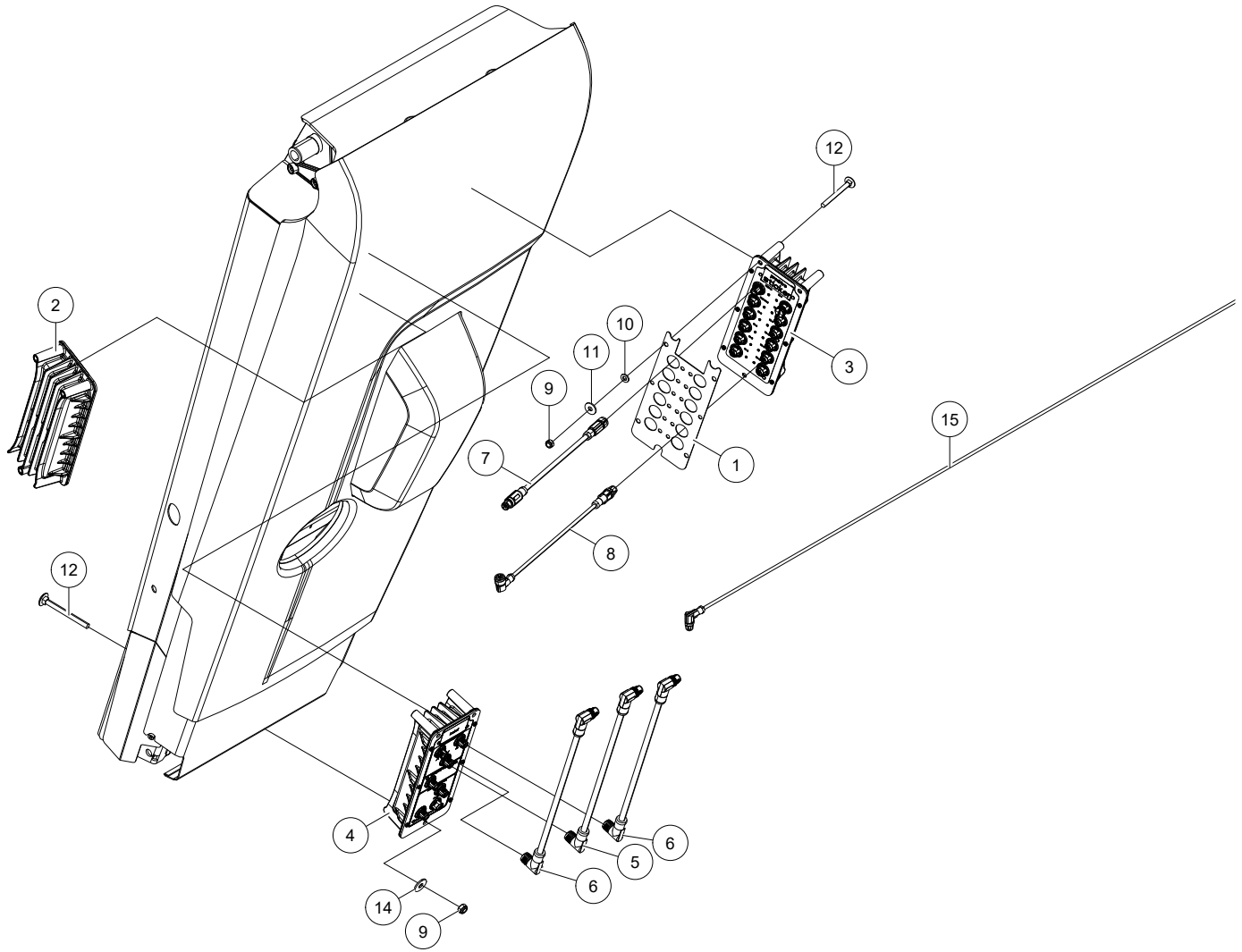


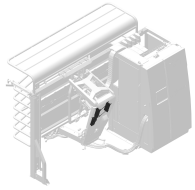


Lely Astronaut A5      Robot Arm      5.1X05.00XX-X      0003242094

Ref.	Part No	Qty.	Description	Techn. info	Criticality	Remark
1	#####	1	Not separately			(see page 24)
2	#####	1	Not separately			(see page 30)
3	#####	1	Not separately			(see page 28)
4	#####	1	Not separately			(see page 26)
5	9.1138.0131.2	1	Filter		1	







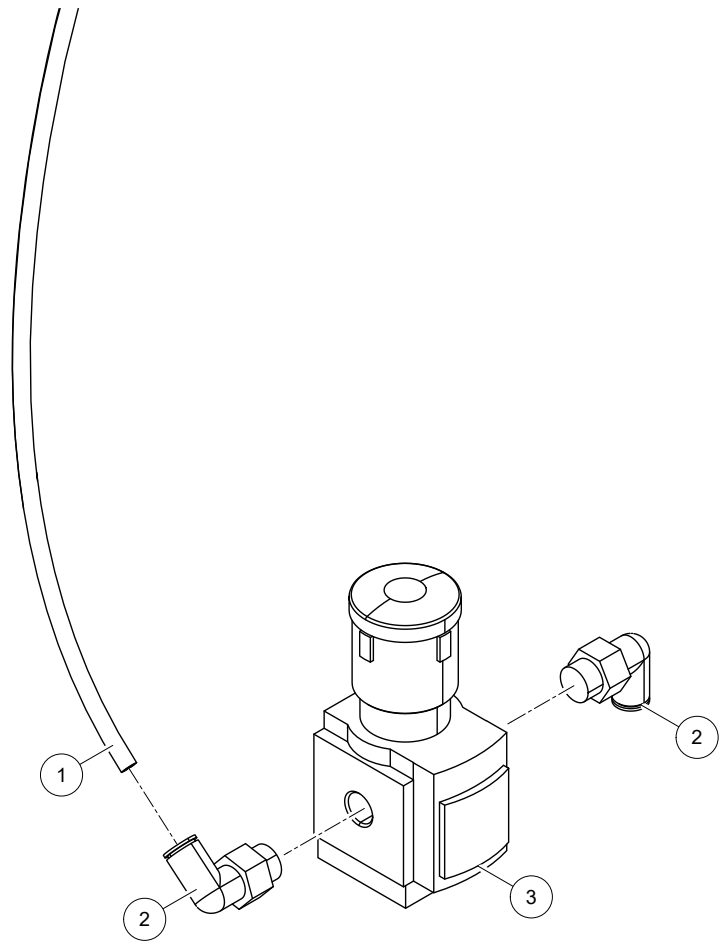
Lely Astronaut A5

Robot Arm

5.1X05.00XX-X

0003242094

Ref.	Part No	Qty.	Description	Techn. info	Criticality	Remark
1	5.1005.3052.0	1	Label			
2	6.2001.0211.0	1	Module	GCB-T4 General control	2	
3	6.2001.0275.0	1	Module	LPT1 - LOW POWER GIOB	2	
4	6.2001.0284.0	1	Brake resistor box		2	
5	6.2001.1022.0	1	Cable SAC-4P-MRT/1,4-PUR/ FRT	SCO	2	
6	6.2001.1028.0	2	Cable SAC-4P-MRT/1,1-PUR/ FRT	SCO	2	
7	6.2001.1050.0	1	Cable SAC-5P-MS/0,2-920/FS SCO		2	
8	6.2001.1052.0	1	Cable SAC-5P-MS/0,6-PUR/FR SCO		2	
9	9.1030.0021.5	9	Nut	M6 DIN985 A2-2 s/s	Bulk	
10	9.1048.0090.0	10	Washer	A6,4 DIN125-A2 s/s	Bulk	
11	9.1048.0095.5	9	Washer	A6,4 DIN9021-A2 s/s	Bulk	
12	9.1051.0006.4	1	Serr.lock washer	A6,4 DIN6798 s/s	Bulk	
13	9.1058.0059.1	11	Coach bolt	M6x65 DIN603-A2 s/s		
14	9.1186.1059.0	11	Plug	M12 screw plug SPEEDCON		
15	6.2001.1035.0	1	Cable			



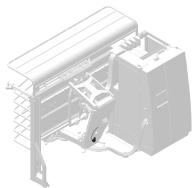
D000391-001

Reducer

C-4







Lely Astronaut A5      Robot Arm      5.1X05.00XX-X      0003242094

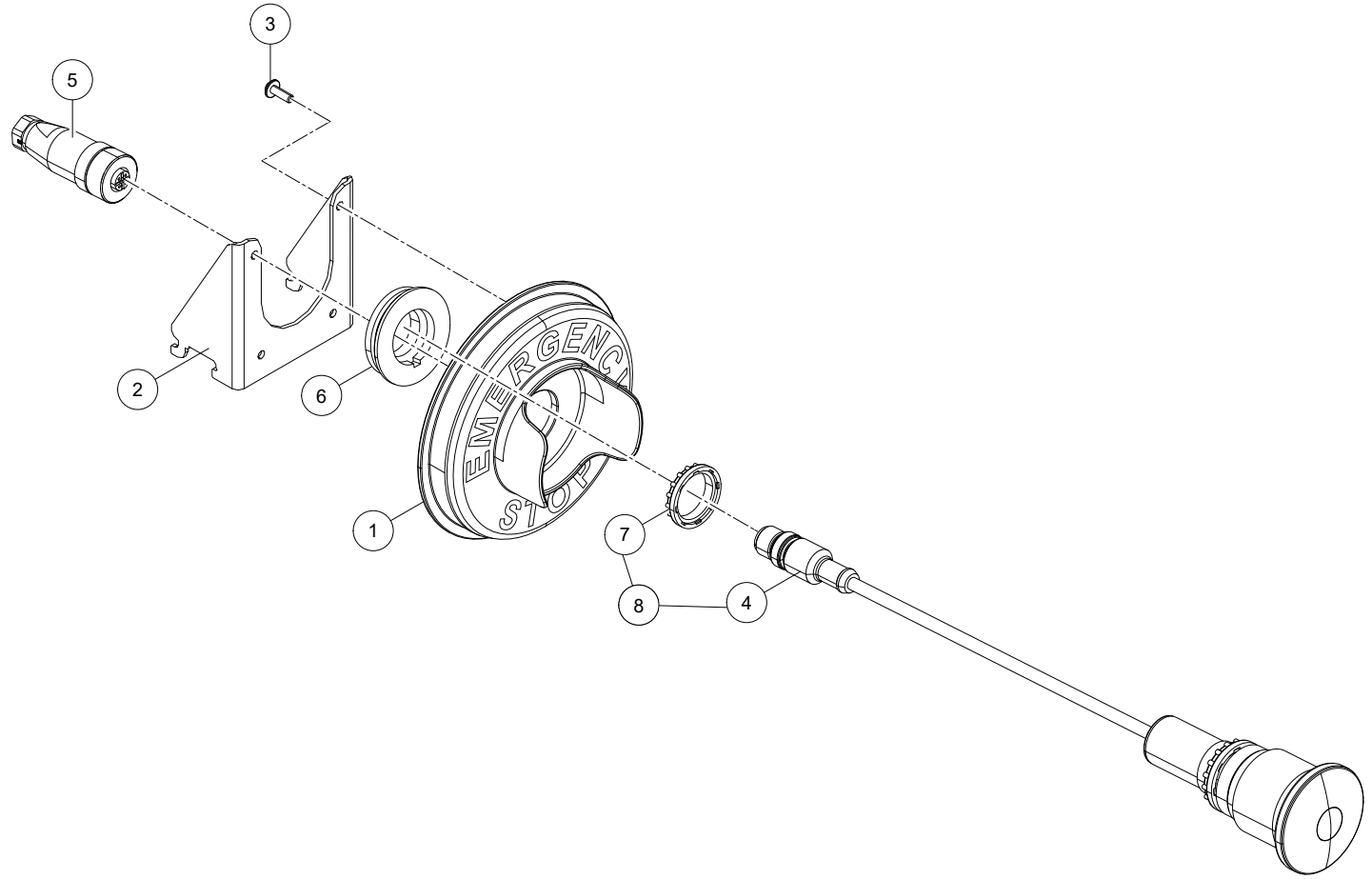
Ref.	Part No	Qty.	Description	Techn. info	Criticality	Remark
1	9.1138.0064.5	1	Tube	PUN-H 6mm L = 360mm		
2	9.1138.0017.0	2	Plug-in coupling	1/4"x6mm (   )		
3	9.1138.0159.2	1	Pressure reducer	0-5 bar		

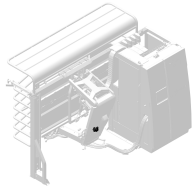
D000391-001

Reducer

C-4



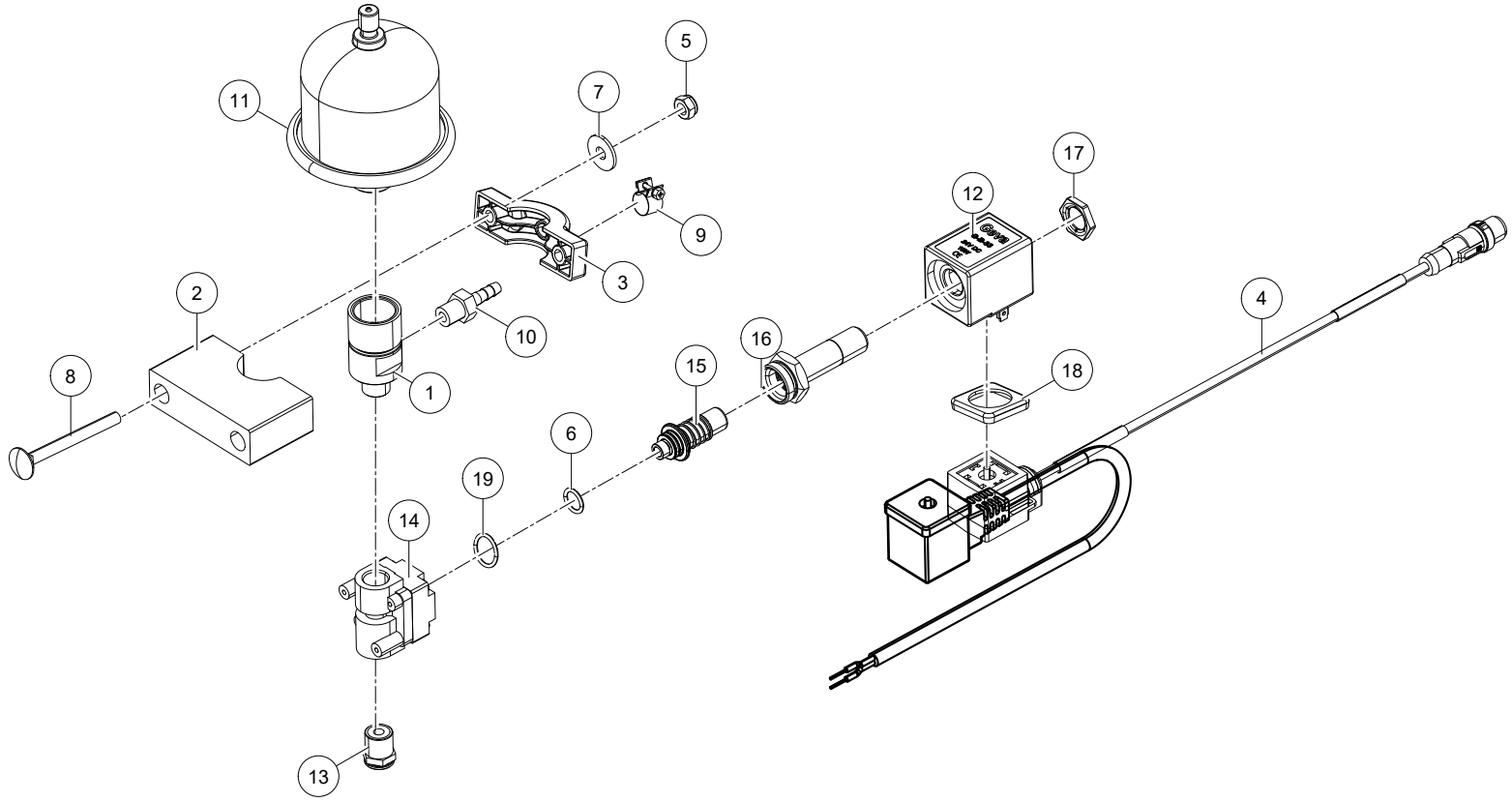


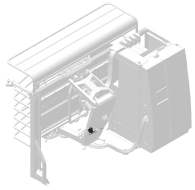


Lely Astronaut A5      Robot Arm      5.1X05.00XX-X      0003242094

Ref.	Part No	Qty.	Description	Techn. info	Criticality	Remark
1	5.1005.1295.0	1	Cap		1	
2	5.1005.1588.0	1	Plate		1	
3	9.1064.0125.5	4	Screw	4.0x12 A2 s/s	Bulk	
4	#####	1	Not separately			
5	9.1186.1120.0	1	Connector	M12 A-Coded straight, Female		
6	9.1185.1155.0	1	Spacer	Emergency Stop 30 mm Hole		
7	9.1185.1154.0	1	Nut	Emergency Stop Fixation 22 mm		
8	9.1185.1152.0	1	Button	EMERGENCY STOP \W 22mm NUT		







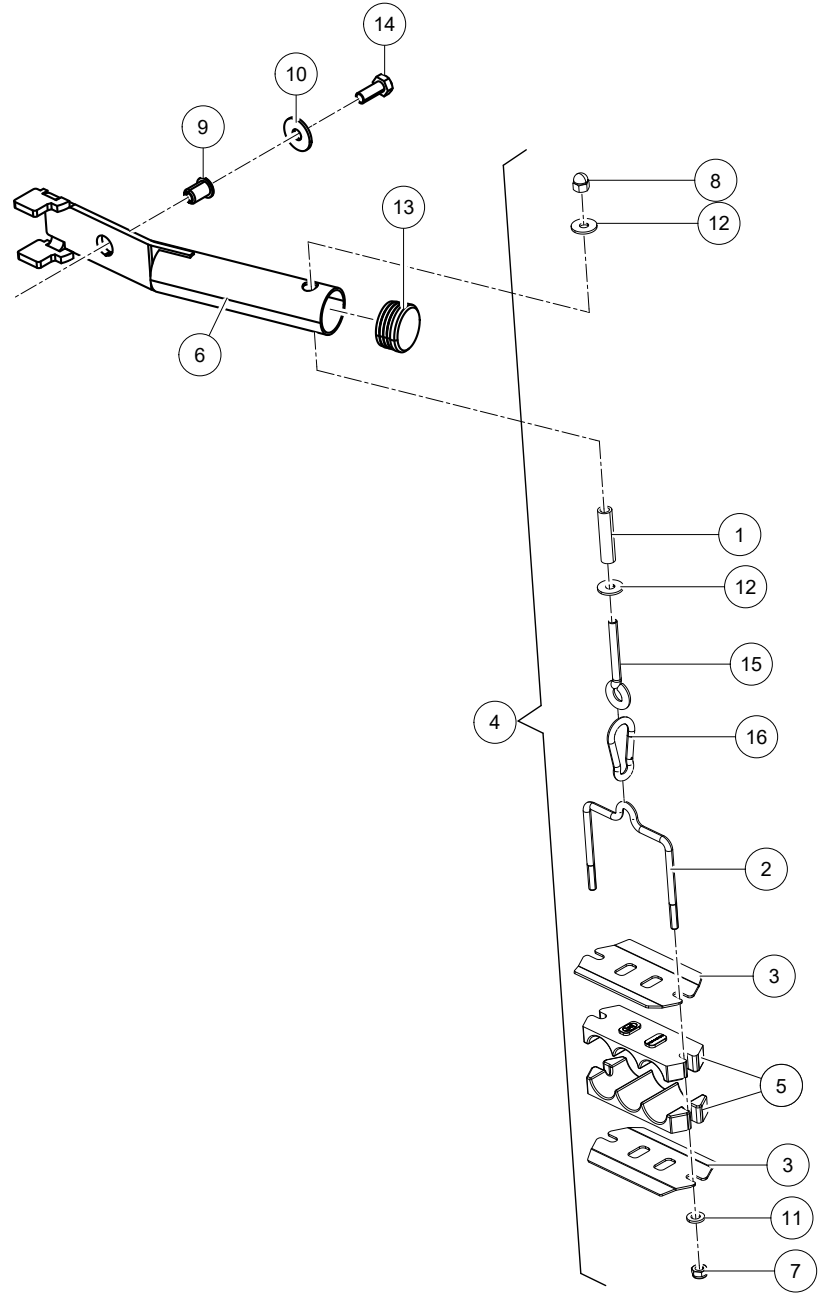
Lely Astronaut A5

Robot Arm

5.1X05.00XX-X

0003242094

Ref.	Part No	Qty.	Description	Techn. info	Criticality	Remark
1	5.1003.0393.0	1	Fitting			
2	5.1005.3294.0	1	Holder			
3	5.1005.3295.0	1	Clamp			
4	6.2001.1036.0	1	Cable		2	
5	9.1030.0021.5	2	Nut	M6 DIN985 A2-2 s/s	Bulk	
6	9.1043.0142.1	1	O-ring		Bulk	
7	9.1048.0095.5	2	Washer	A6,4 DIN125-A2 s/s	Bulk	
8	9.1058.0059.1	2	Coach bolt	M6x65 DIN603-A2 s/s		
9	9.1066.0054.2	1	Hose clamp	ø10.5-ø12.0	Bulk	
10	9.1129.0052.0	1	Tailpiece		1	
11	9.1137.0871.0	1	Accumulator		1	
12	9.1138.0810.0	1	Coil		2	
13	9.1138.0875.2	1	Adapter coupling	1/4"x4s/s	Bulk	
14	9.1138.0836.5	1	Valve housing		1	
15	9.1138.0837.6	1	Valve		2	
16	#####	1	Not separately			
17	9.1138.0839.1	1	Nut			
18	#####	1	Not separately			
19	9.1043.0191.0	1	O-ring	14x1.78 VITON AS015		

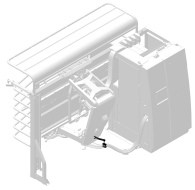


D000393-001

Support

C-7





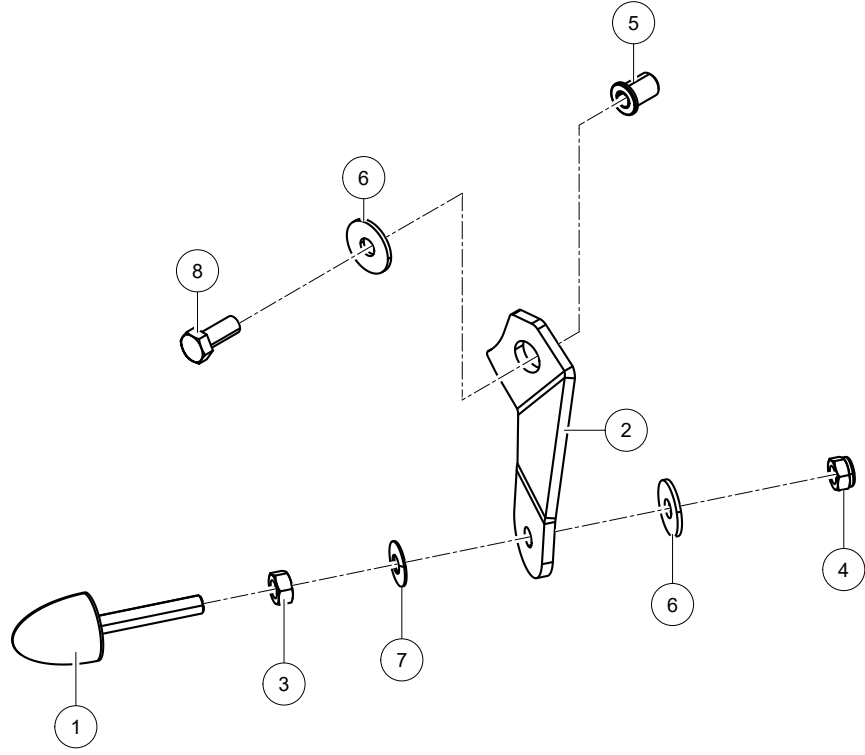
Lely Astronaut A5

Robot Arm

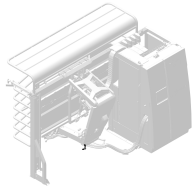
5.1X05.00XX-X

0003242094

Ref.	Part No	Qty.	Description	Techn. info	Criticality	Remark
1	5.1004.2637.0	1	Bushing			
2	5.1004.2638.0	1	Bushing			
3	5.1004.2639.0	2	Plate			
4	5.1004.2641.0	1	Bracket ass.			
5	5.1004.2648.0	2	Fixation block			
6	5.1005.3202.0	1	Bracket weld.			
7	9.1030.0021.5	2	Nut	M6 DIN985 A2-2 s/s	Bulk	
8	9.1036.0089.0	1	Cap nut			
9	9.1036.0118.0	1	Insert M6			
10	9.1048.0052.4	1	Washer	A8,4 DIN9021-A2 s/s	Bulk	
11	9.1048.0090.0	2	Washer	A6,4 DIN125-A2 s/s	Bulk	
12	9.1048.0095.5	2	Washer	A6,4 DIN9021-A2 s/s	Bulk	
13	9.1108.0127.6	1	Locking cap			
14	9.1113.0174.5	1	Bolt	M8x20 DIN933-A2-2 s/s	Bulk	
15	9.1114.0048.0	1	Eye bolt	M6x50x10 A2 s/s		
16	9.1147.0012.5	1	Hook	50x5 s/s A4	Bulk	







Lely Astronaut A5

Robot Arm

5.1X05.00XX-X

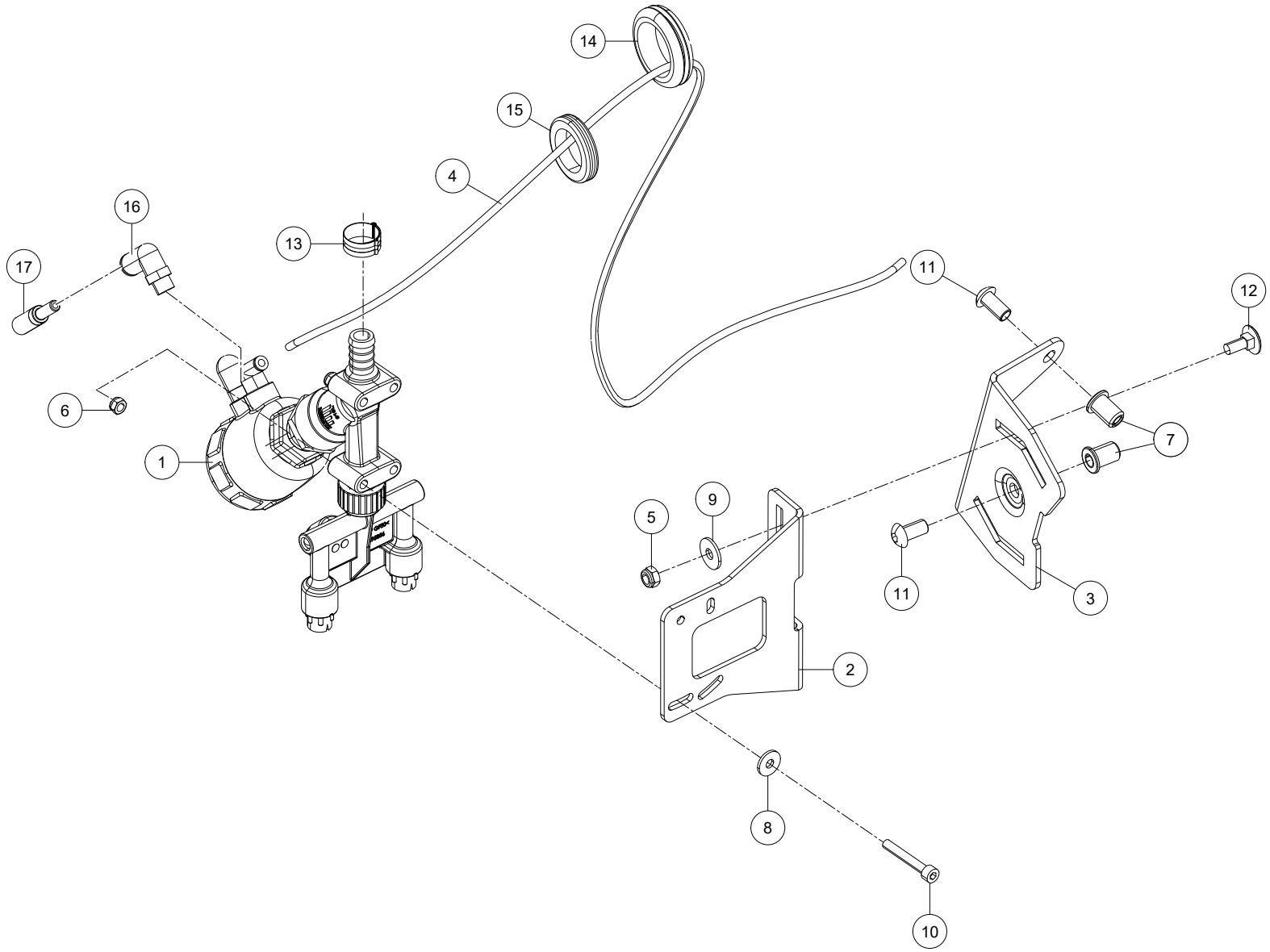
0003242094

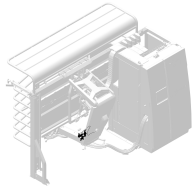
Ref.	Part No	Qty.	Description	Techn. info	Criticality	Remark
1	5.1004.6828.0	1	Shock absorber			
2	5.1005.3167.0	[R] 1	Plate	Bumper bracket	1	
	5.1105.3167.0	[L] ~	Plate			
3	9.1029.0029.0	1	Nut	M8 DIN934 A2-2 s/s	Bulk	
4	9.1030.0020.4	1	Nut	M8 DIN985 A2-2 s/s	Bulk	
5	9.1036.0118.0	1	Insert M6			
6	9.1048.0052.4	2	Washer	A8,4 DIN9021-A2 s/s	Bulk	
7	9.1091.0015.0	1	Cup spring 20 x8.2 x0.8 A2 s/s			
8	9.1113.0174.5	1	Bolt	M8x20 DIN933-A2-2 s/s	Bulk	

D000394-001

Buffer

C-8





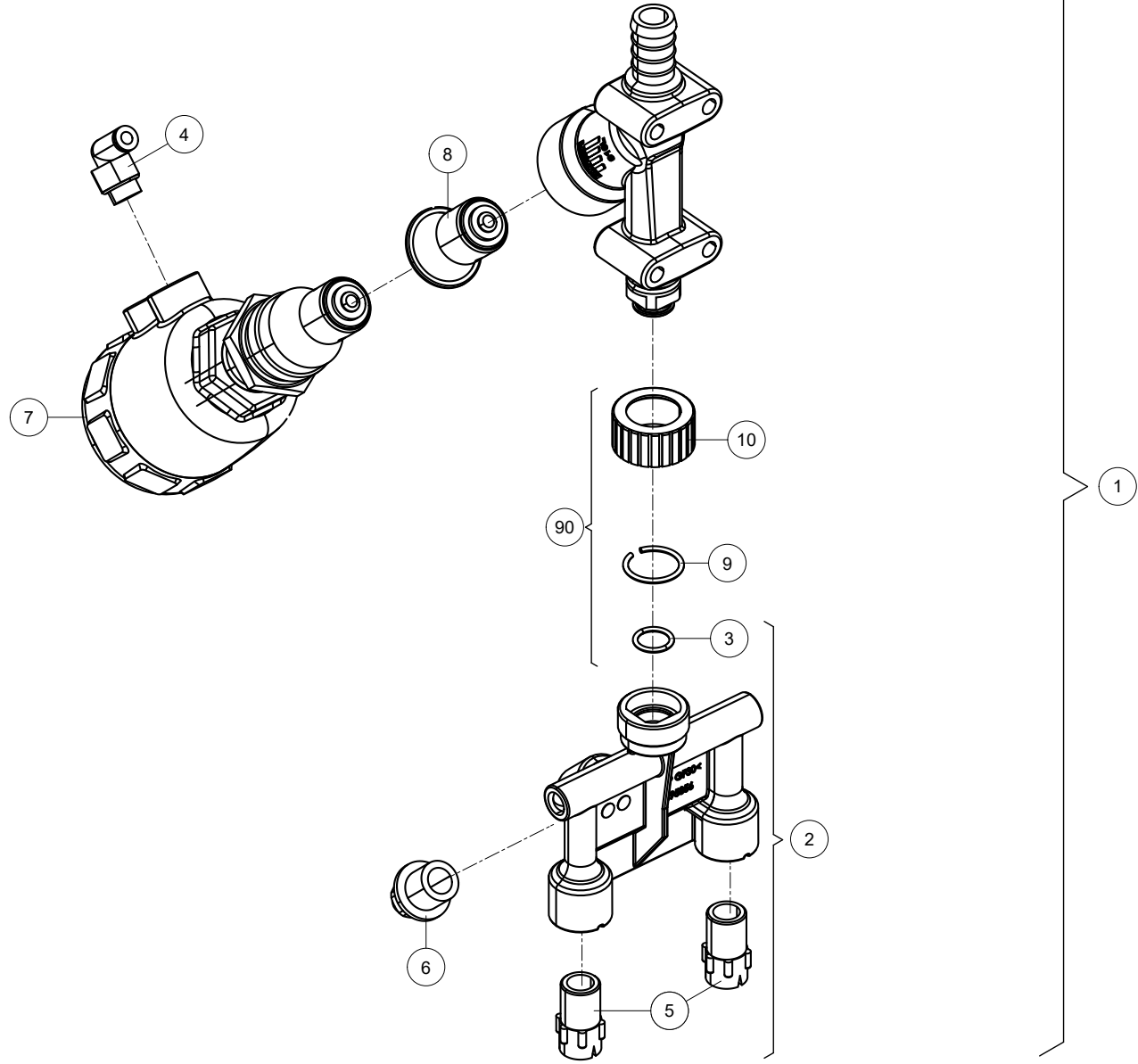
Lely Astronaut A5

Robot Arm

5.1X05.00XX-X

0003242094

Ref.	Part No	Qty.	Description	Techn. info	Criticality	Remark
1	5.1004.6884.0	1	Sprayer			(see page 38)
2	5.1005.3199.0	1	Plate		1	
3	5.1005.3200.0	1	Plate		1	
4	9.1138.0062.3	1	Tube	BLACK PA 4mm, L=1200		
5	9.1030.0021.5	2	Nut	M6 DIN985 A2-2 s/s	Bulk	
6	9.1030.0035.5	4	Nut	M5 DIN985 A2-2 s/s	Bulk	
7	9.1036.0118.0	3	Insert M6			
8	9.1048.0093.3	4	Washer	A5,3 DIN9021-A2 s/s	Bulk	
9	9.1048.0095.5	2	Washer	A6,4 DIN9021-A2 s/s	Bulk	
10	9.1057.0151.3	4	S.h. bolt	M5x35 DIN912-A2 s/s	Bulk	
11	9.1057.0455.0	3	Screw	M 8x 16 A2-70 s/s	Bulk	
12	9.1058.0039.2	2	Coach bolt	M6x16 DIN603 s/s		
13	9.1066.0072.6	1	Hose clamp	96-175 Clic-R		
14	9.1085.0015.0	1	Feed through collar	32/46/38/3		
15	9.1085.0018.0	1	Feed through collar 25.5x1.6	Skiffy 0042 3200 699 07		
16	9.1138.0128.6	1	Plug-in coupling	1/8"x6mm (┘)	Bulk	
17	#####	1	Not separately			

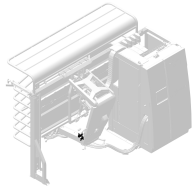


D000394-003

Sprayer

C-10





Lely Astronaut A5      Robot Arm      5.1X05.00XX-X      0003242094

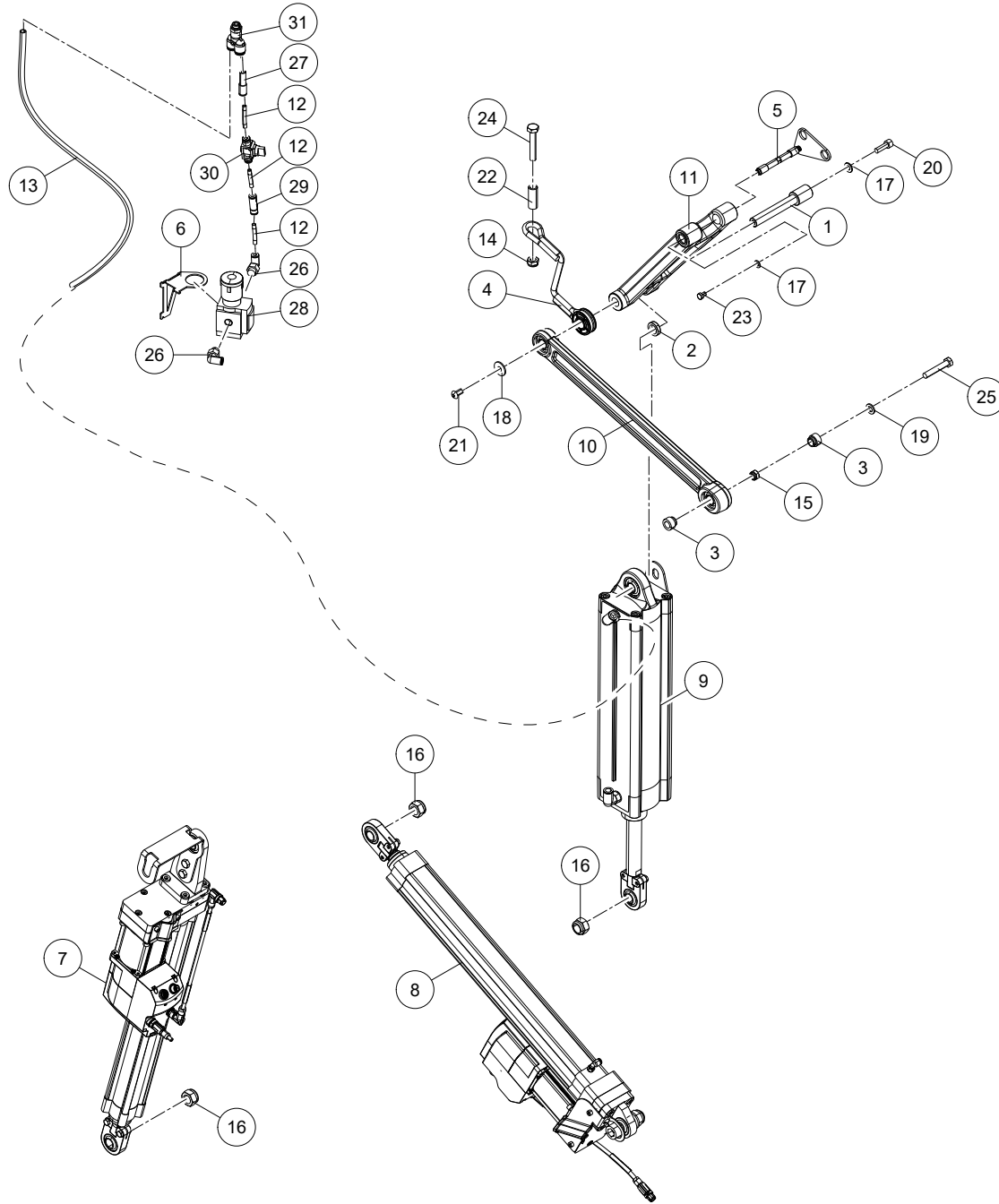
Ref.	Part No	Qty.	Description	Techn. info	Criticality	Remark
1	5.1004.6884.0	1	Sprayer			
2	5.1004.6893.0	1	Distributor		1	
3	#####	1	Not separately			
4	9.1138.1083.0	1	Push-pull nipple	MINI, G1/8" x 4 O-RING SEAL		
5	9.1185.1050.0	2	Nozzle 1/4F-11020 white PP			
6	9.1185.1051.0	1	Nozzle B1/4HH-KY3			
7	9.1189.0283.0	1	Actuator			
8	9.1189.0286.0	1	Plunjer set			
9	#####	1	Not separately			
10	#####	1	Not separately			
90	9.1189.0290.0	1	Nut	SPARE PART KIT BUERKERT 293248		

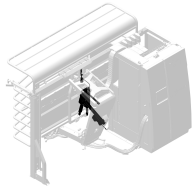
D000394-003

Sprayer

C-10







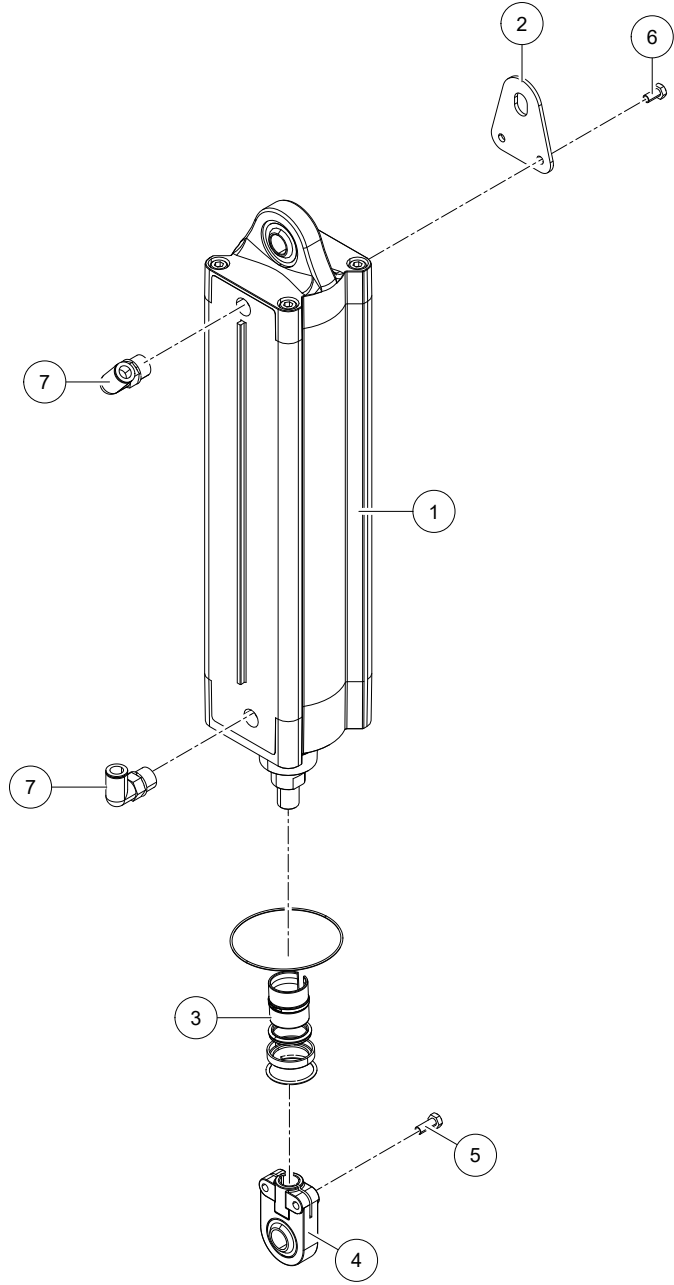
Lely Astronaut A5

Robot Arm

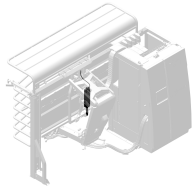
5.1X05.00XX-X

0003242094

Ref.	Part No	Qty.	Description	Techn. info	Criticality	Remark
1	5.1005.1021.0	1	Shaft		1	
2	5.1005.1022.0	1	Ring		1	
3	5.1005.1028.0	2	Tube		1	
4	5.1005.3709.0	1	Rope	SAFETY ROPE	1	
5	5.1005.3745.0	1	Axis balancer		1	
6	5.1005.1970.0	1	Plate		1	
7	#####	1	Not separately			(see page 44)
8	#####	1	Not separately			(see page 46)
9	#####	1	Not separately			(see page 42)
10	5.1005.2332.0	1	Module		1	
11	5.1005.2333.0	1	Module		1	
12	#####	1	Not separately			
13	#####	1	Not separately			
14	9.1030.0022.6	1	Nut	M10 DIN985 A2-2 s/s	Bulk	
15	9.1030.0023.0	1	Nut	M12 DIN985 A2-2 s/s	Bulk	
16	9.1030.0034.4	3	Nut	M16 DIN985 A2-2 s/s	Bulk	
17	9.1048.0050.2	2	Washer	A8,4 DIN125-A2 s/s	Bulk	
18	9.1048.0052.4	1	Washer	A8,4 DIN9021-A2 s/s	Bulk	
19	9.1048.0080.4	1	Washer	A13 DIN125-A2 s/s	Bulk	
20	9.1057.0169.0	1	S.h. bolt	M8x25 DIN912-A2s/s		
21	9.1057.0411.4	1	Button head screw			
22	9.1073.0177.0	1	Spacer			
23	9.1113.0320.3	1	Bolt	M8x12 DIN933-A2-2 s/s	Bulk	
24	9.1113.0479.6	1	Bolt	M10x60 DIN931-A2-70 s/s		
25	9.1113.0540.0	1	Bolt	M12x70 DIN931 s/s		
26	9.1138.0017.0	2	Plug-in coupling	1/4"x6mm ( L )	Bulk	
27	9.1138.0166.2	1	Adapter ring	10-6mm	Bulk	
28	9.1138.0345.5	1	Pressure reducer	1/4" MS4-LR- 1/4"-D6-AS		
29	9.1138.0398.0	1	Non-return valve	6 6		
30	9.1138.0399.0	1	Valve		Bulk	
31	9.1138.1086.0	1	Coupling Y QSY-G1/4-10		Bulk	







Lely Astronaut A5      Robot Arm      5.1X05.00XX-X      0003242094

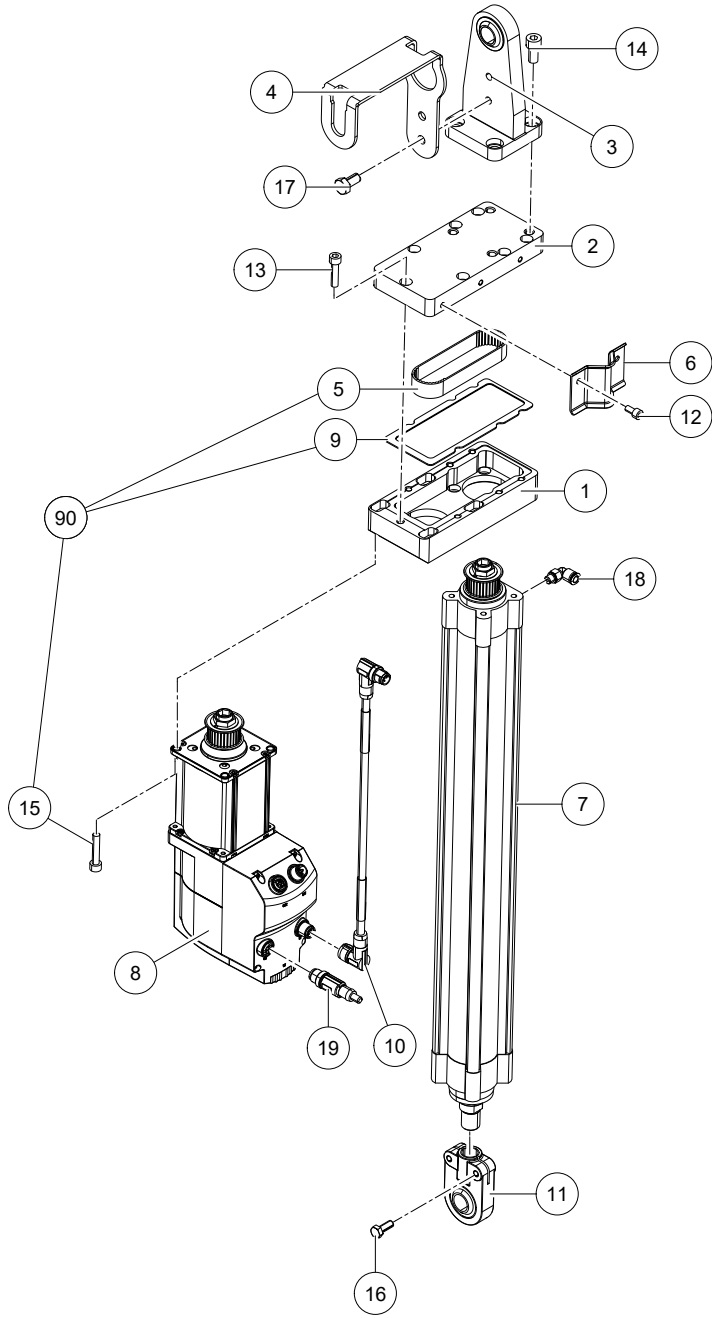
Ref.	Part No	Qty.	Description	Techn. info	Criticality	Remark
1	5.1005.2064.0	1	Unit			
2	5.1005.2368.0	1	Bracket		1	
3	5.1005.3618.0	1	Set	BALANCER HEAD REVISION		
4	9.1038.0042.4	1	Ball head		2	
5	9.1113.0163.1	2	Bolt	M6x16 DIN933-A2-2 s/s	Bulk	
6	9.1113.0290.2	2	Bolt	M8x16 DIN933-A2-2 s/s	Bulk	
7	9.1138.0202.3	2	Plug-in coupling	3/8"x10mm (┘)	Bulk	

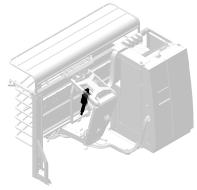
D000392-001

Balancing Cylinder

D-2



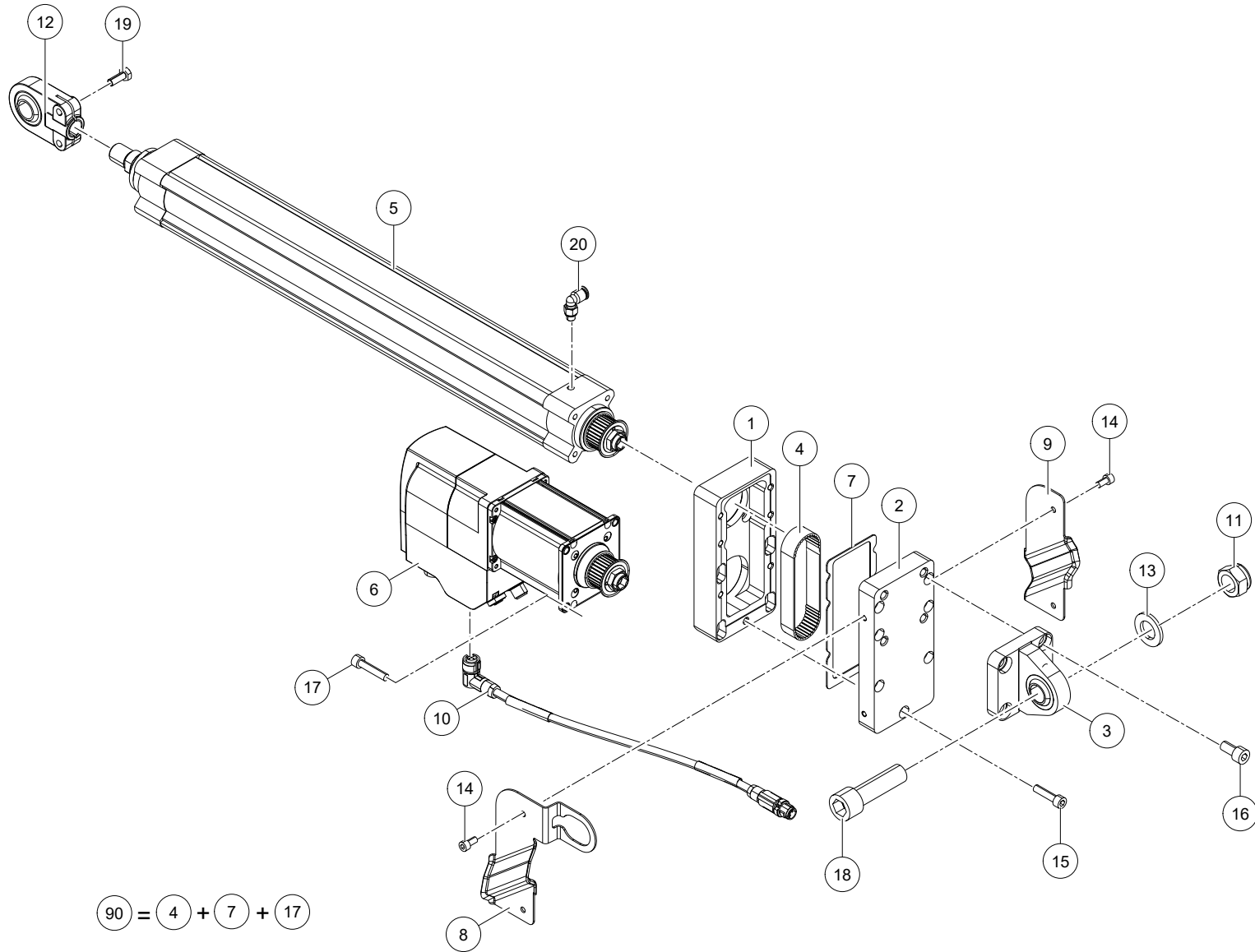


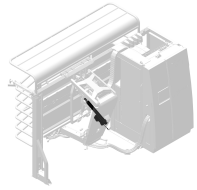


Lely Astronaut A5      Robot Arm      5.1X05.00XX-X      0003242094

Ref.	Part No	Qty.	Description	Techn. info	Criticality	Remark
1	#####	1	Not separately			
2	#####	1	Not separately			
3	5.1005.1520.0	1	Ball eye		1	
4	5.1005.1528.0	1	Plate			
5	#####	1	Not separately			
6	5.1005.2345.0	1	Bracket			
7	5.1005.2378.0	1	Module		2	
8	5.1005.3690.0	1	Drive		2	
9	#####	1	Not separately			
10	6.2001.1041.0	1	Cable		2	
11	9.1038.0042.4	1	Ball head		2	
12	9.1057.0053.3	2	S.h. bolt	M5x10 DIN912 s/s	Bulk	
13	9.1057.0068.4	7	S.h. bolt	M6x25 DIN912-A2 s/s	Bulk	
14	9.1057.0074.3	4	S.h. bolt	M8x16 DIN912-A2 s/s	Bulk	
15	9.1057.0153.5	4	Screw	M 6x30 DIN912 s/s		
16	9.1113.0163.1	2	Bolt	M6x16 DIN933-A2-2 s/s	Bulk	
17	9.1113.0290.2	2	Bolt	M8x16 DIN933-A2-2 s/s	Bulk	
18	9.1138.1161.0	1	Pneumatic connector			
19	9.1186.1094.0	1	Resistor		1	
90	5.1005.3495.0	1	Repair set		2	



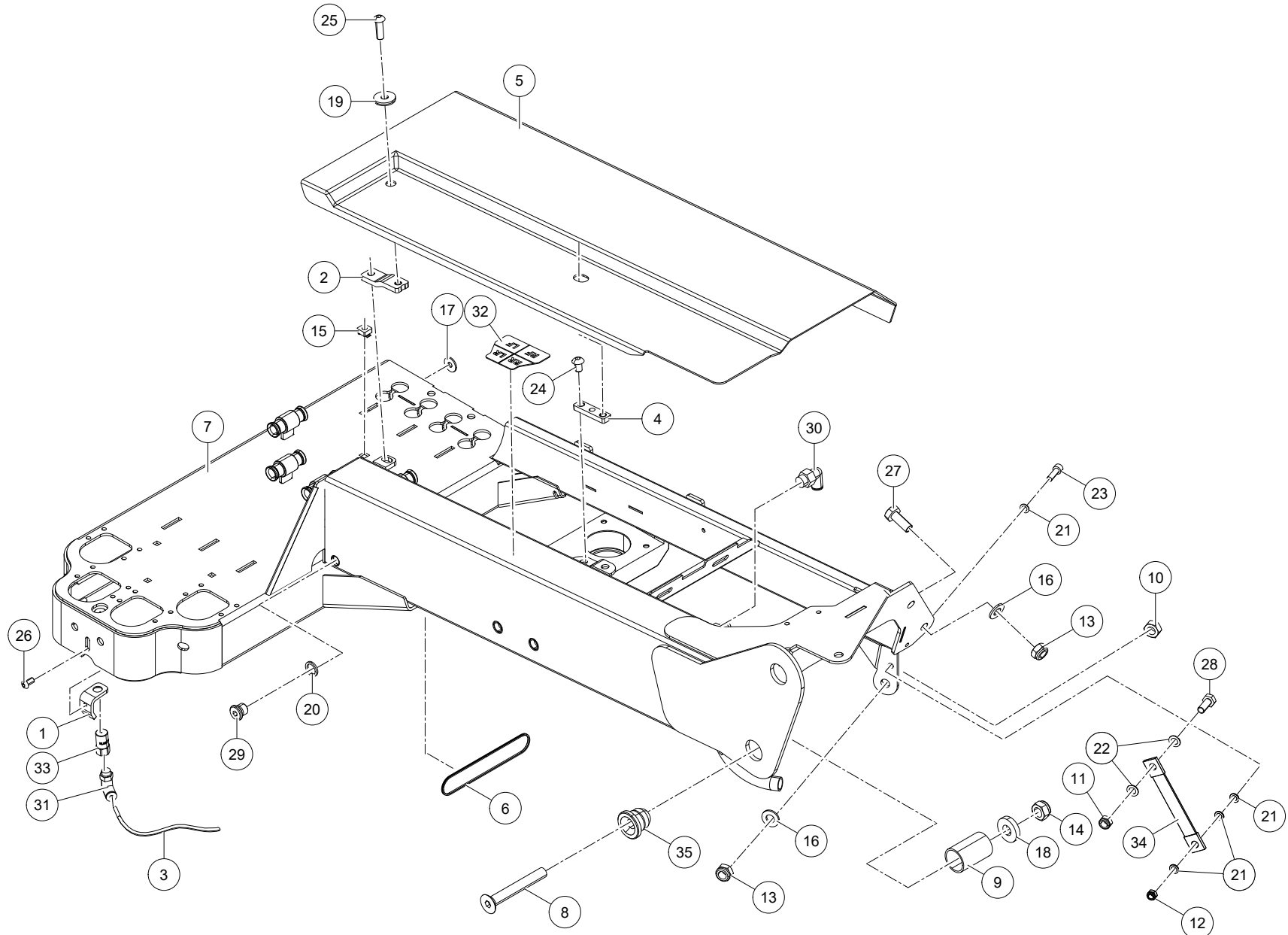


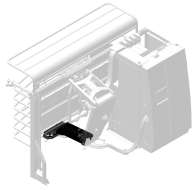


Lely Astronaut A5      Robot Arm      5.1X05.00XX-X      0003242094

Ref.	Part No	Qty.	Description	Techn. info	Criticality	Remark
1	#####	1	Not separately			
2	#####	1	Not separately			
3	5.1005.1488.0	1	Unit	SWIVEL FLANGE SNCS-50-37-SA	1	
4	#####	1	Not separately			
5	5.1005.2378.0	1	Module		2	
6	5.1005.3690.0	1	Drive		2	
7	#####	1	Not separately			
8	5.1005.3043.0	1	Bracket		1	
9	5.1005.3044.0	1	Bracket		1	
10	6.2001.1051.0	1	Cable		2	
11	9.1030.0034.4	1	Nut	M16 DIN985 A2-2 s/s	Bulk	
12	9.1038.0042.4	1	Ball head		2	
13	9.1048.0085.2	1	Washer	A17 DIN125-A2 s/s	Bulk	
14	9.1057.0053.3	4	S.h. bolt	M5x10 DIN912 s/s	Bulk	
15	9.1057.0068.4	7	S.h. bolt	M6x25 DIN912-A2 s/s	Bulk	
16	9.1057.0074.3	4	S.h. bolt	M8x16 DIN912-A2 s/s	Bulk	
17	9.1057.0153.5	4	Screw	M 6x30 DIN912 s/s		
18	9.1057.0191.0	1	S.h.screw M16x 55 A2-s/s	DIN912	Bulk	
19	9.1113.0163.1	2	Bolt	M6x16 DIN933-A2-2 s/s	Bulk	
20	9.1138.1161.0	1	Pneumatic connector			
90	5.1005.3495.0	1	Repair set		2	







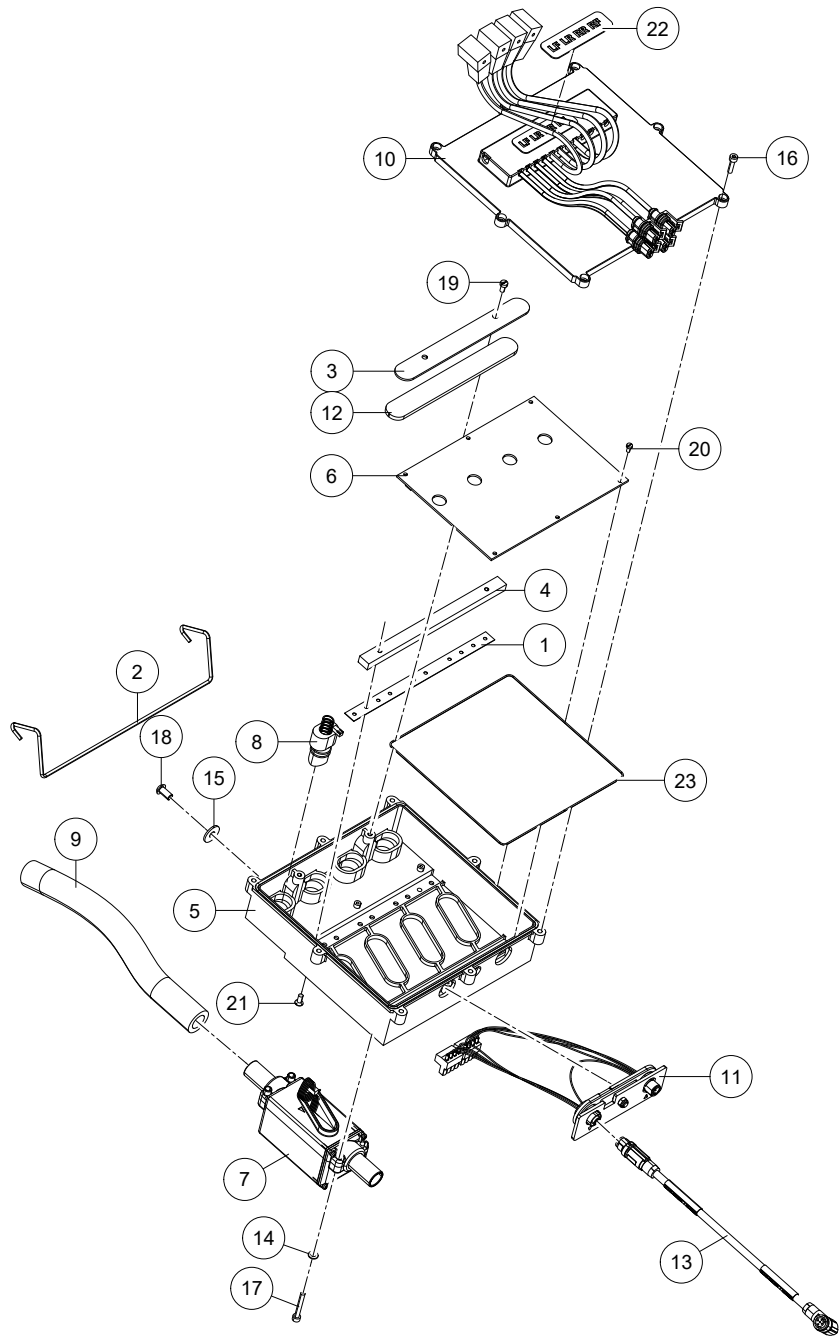
Lely Astronaut A5

Robot Arm

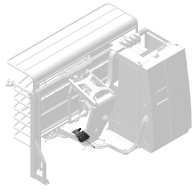
5.1X05.00XX-X

0003242094

Ref.	Part No	Qty.	Description	Techn. info	Criticality	Remark
1	5.1003.0661.0	1	Bracket		1	
2	5.1003.1086.0	1	Strip			
3	9.1138.0045.0	1	Tube	Teflon transparent 4mm, L=1850mm	Bulk	
4	5.1003.1254.0	1	Plate			
5	5.1003.1266.0	[R] 1	Cover plate		1	
	5.1103.1266.0	[L] ~	Cover plate		1	
6	9.1073.0082.2	1	U-shaped band	1mm profile, L=300mm		
7	#####	[R] 1	Not separately			
	#####	[L] ~	Not separately			
8	9.1057.0367.0	2	Screw	M12 x 90 DIN7991 S/S-A2	1	
9	5.1005.3176.0	2	Plate		1	
10	9.1029.0028.6	1	Nut	M10 DIN934 A2-2 s/s	Bulk	
11	9.1030.0020.4	1	Nut	M8 DIN985 A2-2 s/s	Bulk	
12	9.1030.0021.5	1	Nut	M6 DIN985 A2-2 s/s	Bulk	
13	9.1030.0022.6	4	Nut	M10 DIN985 A2-2 s/s	Bulk	
14	9.1030.0023.0	2	Nut	M12 DIN985 A2-2 s/s	Bulk	
15	9.1036.0099.0	2	Nut	M6	Bulk	
16	9.1048.0051.3	4	Washer	A10,5 DIN125-A2 s/s	Bulk	
17	9.1048.0095.5	4	Washer	A6,4 DIN9021-A2 s/s	Bulk	
18	9.1048.0115.4	2	Washer	A13 DIN7349-A2 s/s		
19	9.1048.1006.0	2	Washer		Bulk	
20	9.1049.0040.5	1	Sealing ring	1/4"	Bulk	
21	9.1051.0006.4	4	Serr.lock washer	A6,4 DIN6798 s/s	Bulk	
22	9.1051.0007.5	2	Serr.lock washer	A8,2 DIN6798 s/s	Bulk	
23	9.1057.0092.0	1	S.h. bolt	M6x20 DIN912-A2 s/s	Bulk	
24	9.1057.0404.4	1	Button head screw	M8x12 ISO7380-1 A2-70 s/s	Bulk	
25	9.1057.0405.5	2	Button head screw	M8x25 ISO7380-1 A2-70	Bulk	
26	9.1057.0406.6	1	Button head screw	M6x12 ISO7380-1 A2-70 s/s	Bulk	
27	9.1113.0170.1	3	Bolt	M10x25 DIN933-A2-2 s/s	Bulk	
28	9.1113.0174.5	1	Bolt	M8x20 DIN933-A2-2 s/s	Bulk	
29	9.1131.0020.1	1	Plug			
30	9.1138.0017.0	1	Plug-in coupling	1/4"x6mm (   )	Bulk	
31	9.1138.0997.0	1	Plug-in coupling		Bulk	
32	9.1170.0914.0	1	Decal	LF LR RR RF pulsator		
33	9.1185.1033.0	1	Nozzle		1	
34	9.1186.0996.0	1	Ground stp		1	
35	5.1005.3825.0	2	Plug			







Lely Astronaut A5

Robot Arm

5.1X05.00XX-X

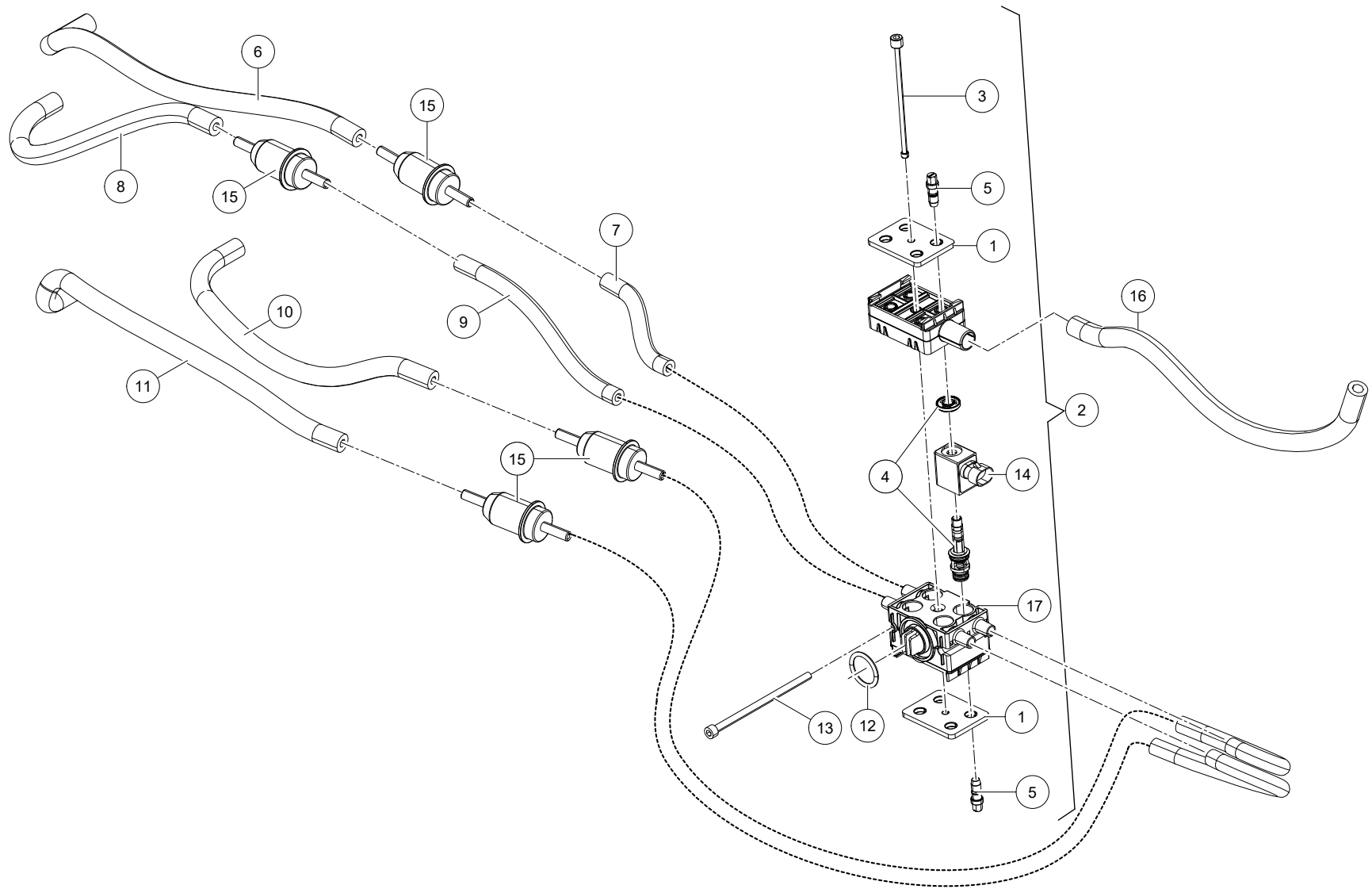
0003242094

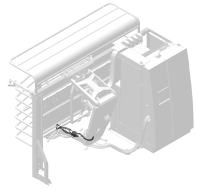
Ref.	Part No	Qty.	Description	Techn. info	Criticality	Remark
1	5.1003.0647.0	2	Gasket			
2	5.1003.0650.0	1	Bracket			
3	5.1003.0980.0	1	Strip			
4	5.1003.0986.0	2	Strip			
5	5.1003.0664.0	1	Seal			
6	5.1003.3089.0	1	PCB		2	
7	5.1003.3090.0	4	Sensor		2	
8	5.1003.3220.0	4	Sensor		2	
9	5.1005.3730.0	4	Hose	SILICON 14 x 25 L=240mm	Bulk	
10	5.1004.1540.0	1	Cover	MQC	2	
11	5.1005.2935.0	1	Set	CAN Connectors MQC2	2	
12	#####	1	Not separately			
13	6.2001.1020.0	1	Cable	SAC-5P-MS-FR SCO BUS	2	
14	9.1048.0089.6	16	Washer	A4,3 DIN125-A2 s/s	Bulk	
15	9.1048.0095.5	2	Washer	A6,4 DIN9021-A2 s/s	Bulk	
16	9.1057.0084.6	8	S.h. bolt	M4x16 DIN912-A2 s/s	Bulk	
17	9.1057.0122.2	16	S.h. bolt	M4x30 DIN912-A2 s/s	Bulk	
18	9.1057.0406.6	2	Button head screw	M6x12 ISO7380-1 A2-70 s/s	Bulk	
19	9.1059.0108.0	2	Screw	M4x8 s/s	Bulk	
20	9.1059.0110.2	6	Screw	M3x6 s/s		
21	9.1060.0040.1	4	Screw	M4x10 s/s		
22	9.1170.0915.0	1	Decal			
23	5.1003.0664.0	1	Clamping plate			

D000395-009

MQC-2

E-2

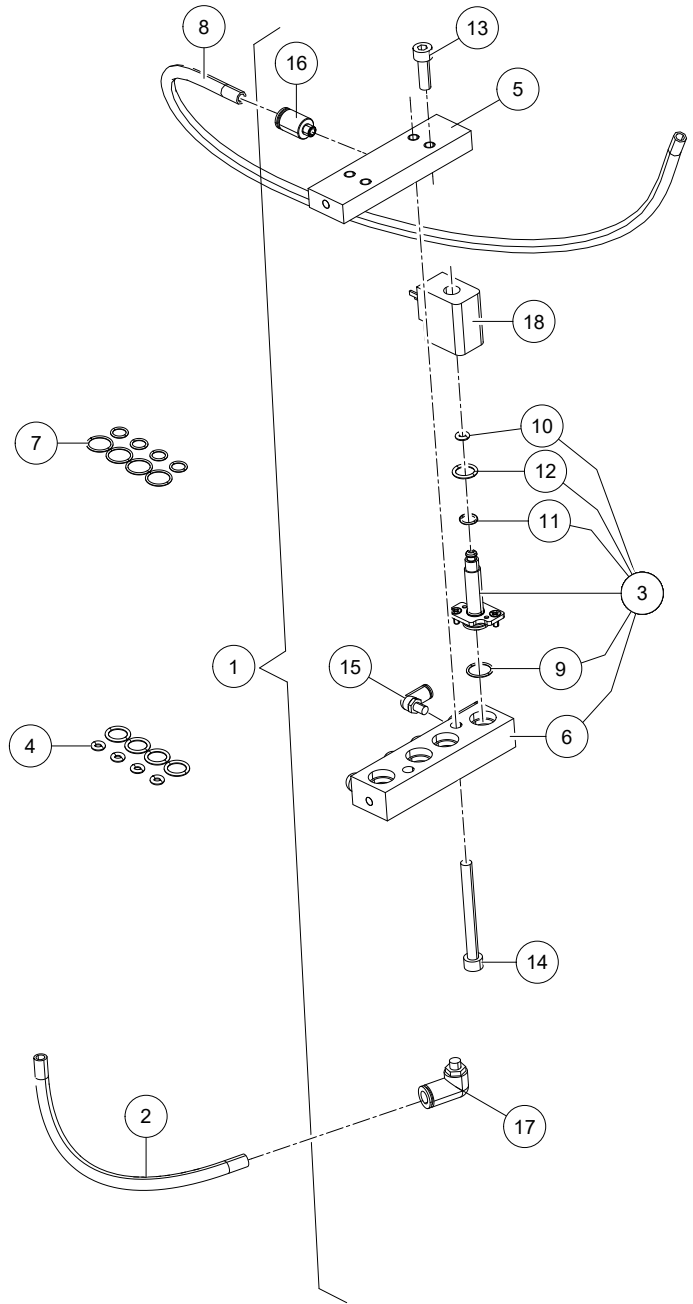


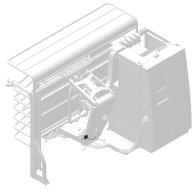


Lely Astronaut A5      Robot Arm      5.1X05.00XX-X      0003242094

Ref.	Part No	Qty.	Description	Techn. info	Criticality	Remark
1	5.1004.5798.0	2	Plate			
2	5.1004.6801.0	[R] 1	Kit 4effect 3			
	5.1104.6801.0	[L] ~	Kit	4effect 3		
3	5.1004.5969.0	1	Bolt			
4	5.1004.6255.0	1	Kit	4EFFECT 3 Valves and Seals		
5	5.1004.6799.0	8	Adj. screw			
6	#####	1	Not separately			
7	#####	1	Not separately			
8	#####	1	Not separately			
9	#####	1	Not separately			
10	#####	1	Not separately			
11	#####	1	Not separately			
12	9.1043.0065.1	1	O-ring	25x3.5	Bulk	
13	9.1057.0159.4	2	S.h. bolt	M6x110 DIN912-A2 s/s		
14	9.1138.0911.0	1	Coil	incl. o-ring pulsator unit type 1		
15	9.1189.0213.0	4	Filter		1	
16	9.1185.0013.3	1	Hose		Bulk	
17	5.1004.6800.0	1	Manifold			







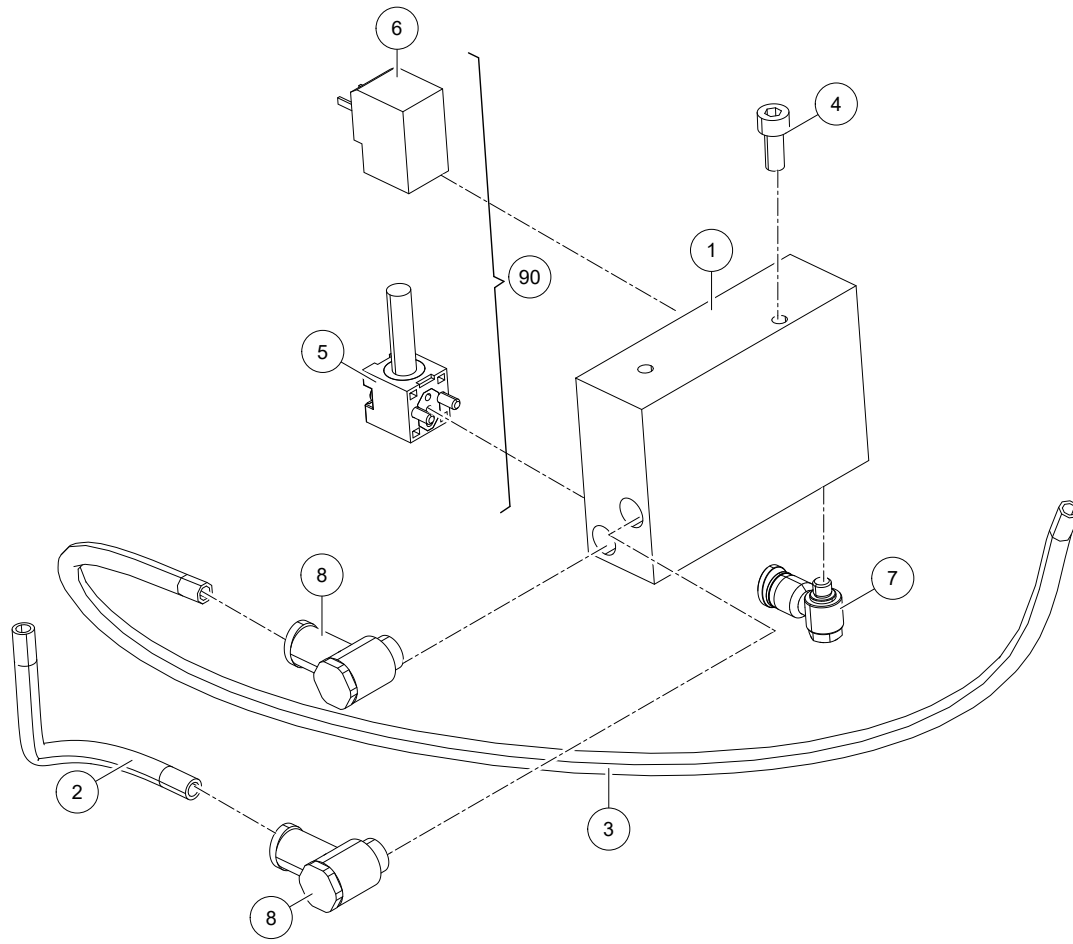
Lely Astronaut A5

Robot Arm

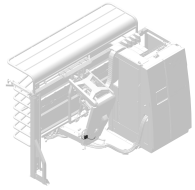
5.1X05.00XX-X

0003242094

Ref.	Part No	Qty.	Description	Techn. info	Criticality	Remark
1	5.1004.0224.0	1	Valves block			
2	9.1138.0063.4	1	Pneumatic tube	BLACK PA 6mm L=140		
3	5.1004.2618.0	4	Operator			
4	5.1004.6521.0	1	Kit sleeve unit valves Top			
5	5.1004.6527.0	1	Manifold			
6	5.1004.6528.0	1	Manifold			
7	5.1004.6539.0	1	Kit sleeve unit valves Below			
8	9.1138.0063.4	1	Pneumatic tube	BLACK 6mm L=450		
9	9.1043.0138.4	4	O-ring	10x1 Viton		
10	9.1043.0193.0	4	O-ring			
11	#####	1	Not separately			
12	9.1043.0201.0	4				
13	9.1057.0066.2	2	S.h. bolt	M5x16 DIN912-A2 s/s		
14	9.1057.0127.0	2	S.h. bolt	M5x50 DIN912-A2 s/s		
15	9.1138.0037.6	4	Plug-in coupling	M5x4mm (┘)		
16	9.1138.0090.3	1	Plug-in coupling	M5x6		
17	9.1138.0303.5	1	Plug-in coupling			
18	9.1138.0850.5	4	Spool	24V 3W		



$$\textcircled{91} = \textcircled{1} + \textcircled{4} + \textcircled{5} + \textcircled{6} + \textcircled{7} + \textcircled{8}$$



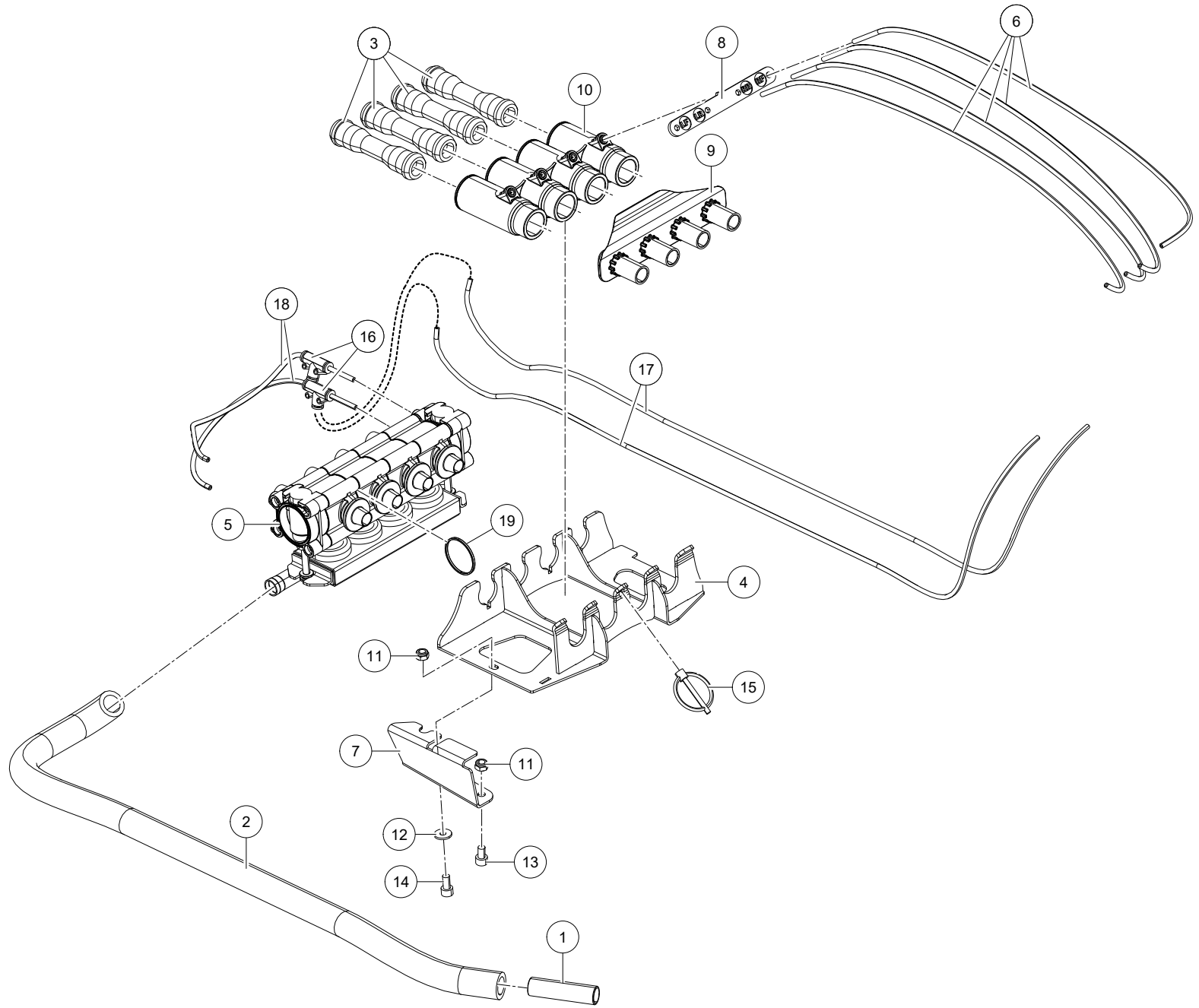
Lely Astronaut A5

Robot Arm

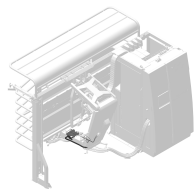
5.1X05.00XX-X

0003242094

Ref.	Part No	Qty.	Description	Techn. info	Criticality	Remark
1	#####	1	Not separately			
2	9.1138.0063.4	1	Tube	BLACK PA 6mm L=200		
3	9.1138.0063.4	1	Tube	BLACK PA 6mm L=430		
4	9.1057.0170.0	2	S.h. bolt	M5x12 DIN912-A2s/s		
5	9.1138.1209.0	4	Valve			
6	#####	4	Not separately			
7	9.1138.1233.0	4	Push-pull nipple	PH04-M5 koppeling Ø04xM5		
8	9.1138.1234.0	2	Push-pull nipple	PH06-G01 koppeling Ø06xG1/8		
90	9.1138.1211.0	1	Valve			
91	5.1005.3598.0	1	Set Pilot valves shut off with			







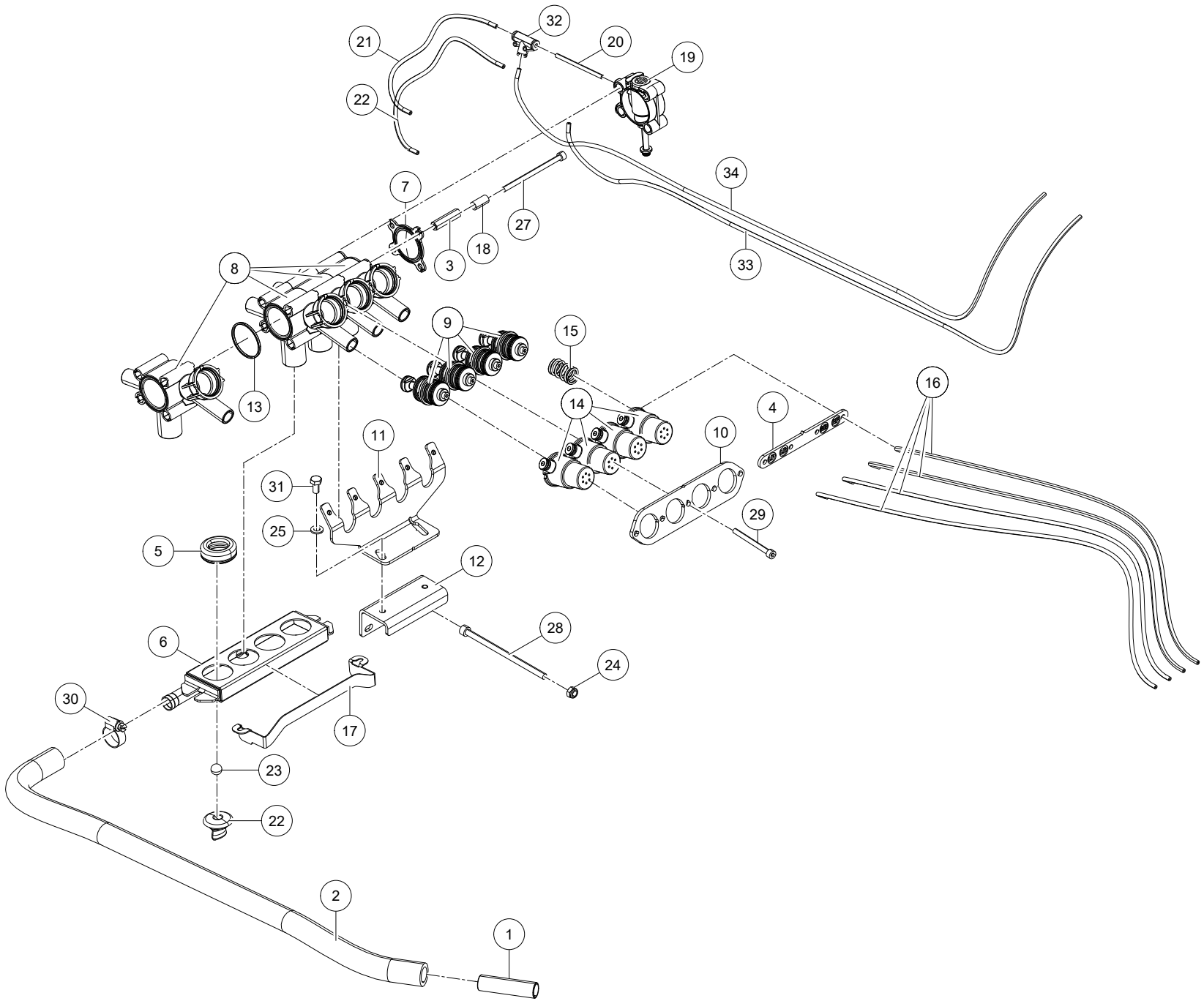
Lely Astronaut A5

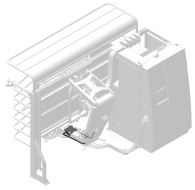
Robot Arm

5.1X05.00XX-X

0003242094

Ref.	Part No	Qty.	Description	Techn. info	Criticality	Remark
1	5.1001.6659.0	1	Coupling piece		Bulk	
2	9.1185.0013.3	1	Tube	14x25, L=800mm	Bulk	
3	5.1003.1302.0	4	Sleeve		2	Lely Consumables
4	5.1004.0197.0	[R] 1	Bracket			
	5.1104.0197.0	[L] ~	Bracket			
5	5.1004.0226.0	[R] 1	Pre milk ass.			(see page 66)
	5.1104.0226.0	[L] ~	Tube			
6	9.1138.0062.3	4	Tube	Black PA 4mm, L=500mm	Bulk	
7	5.1004.1131.0	[R] 1	Plate			
	5.1104.1131.0	[L] ~	Plate			
8	5.1004.1541.0	1	Bracket			
9	5.1004.2462.0	1	Plate		2	
10	#####	1	Not separately			Lely Consumables
11	9.1030.0021.5	3	Nut	M6 DIN985 A2-2 s/s	Bulk	
12	9.1048.0093.3	1	Washer	A5,3 DIN9021-A2 s/s	Bulk	
13	9.1057.0057.0	2	S.h. bolt	M6x10 DIN912 A2-2 s/s	Bulk	
14	9.1057.0067.3	1	S.h. bolt	M6x12 DIN912-A2 s/s	Bulk	
15	9.1123.0012.1	1	Locking pin	4.7x32 s/s-A2	Bulk	
16	9.1138.0100.6	2	Plug-in coupling	4-4mm (T)	Bulk	
17	9.1138.0062.3	2	Tube	Black PA 4mm, L=1300mm	Bulk	
18	9.1138.0062.3	2	Tube	Black PA 4mm	Bulk	
19	5.1005.3170.0	4	Seal			





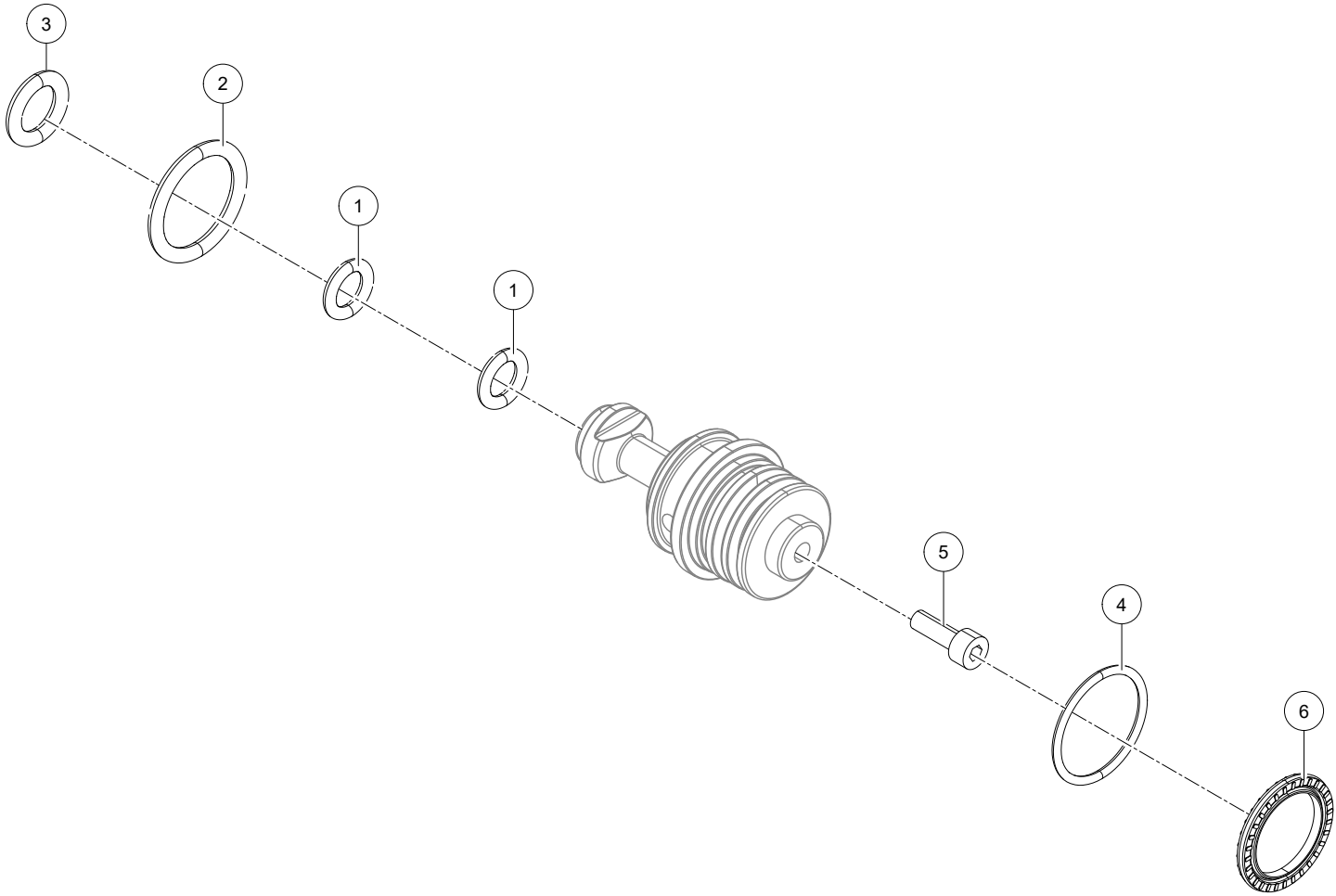
Lely Astronaut A5

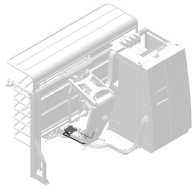
Robot Arm

5.1X05.00XX-X

0003242094

Ref.	Part No	Qty.	Description	Techn. info	Criticality	Remark
1	5.1001.6659.0	1	Coupling piece			
2	9.1185.0013.3	1	Hose	SILICONEN 14 x 25 L=650		
3	5.1004.0473.0	4	Nut			
4	5.1004.1541.0	1	Bracket			
5	5.1004.2575.0	4	Red. nipple			
6	5.1004.2683.0	[R]	Manifold			
	5.1104.2683.0	[L]	Manifold			
7	5.1005.3298.0	1	Plate	premilk partition		
8	5.1005.3367.0	4	Manifold			
9	5.1005.3368.0	4	Piston			(see page 62)
10	5.1005.3373.0	1	Plate			
11	#####	1	Not separately			
12	#####	1	Not separately			
13	5.1005.3710.0	4	Seal			
14	5.1005.3724.0	4	Cylinder			
15	5.1005.3729.0	4	Spring			
16	9.1138.0062.3	4	Tube			
17	5.1005.3756.0	1	Spring			
18	5.1005.3784.0	2	Bushing			
19	5.1005.3842.0	2	Actuator			
20	9.1138.0062.3	2	Tube	BLACK PA 4mm L=65		
21	9.1138.0062.3	1	Tube	BLACK PA 4mm L=225		
22	5.1005.5155.0	4	Stop			
23	9.1021.0010.3	4	Ball	ø11 PP		
24	9.1030.0021.5	1	Nut	M6 DIN985 A2-2 s/s		
25	9.1048.0046.5	2	Washer	A6,4 DIN125 A4 s/s		
26	9.1057.0081.3	4	S.h. bolt	M5x70 DIN912-A4 s/s		
27	9.1057.0131.4	4	S.h. bolt	M5x80 DIN912-A2-90 s/s		
28	9.1057.0159.4	1	S.h. bolt	M6x110 DIN912-A2 s/s		
29	9.1057.0189.0	2	Screw			
30	9.1066.0091.0	1	Hose clamp	Hose clamp 16-27 screw tightenin s/s		
31	9.1113.0488.1	2	Bolt	M6x12 DIN933-A2-2 s/s		
32	9.1138.0100.6	2	Plug-in coupling	4-4-4mm (T)		
33	#####	1	Not separately			
34	#####	1	Not separately			





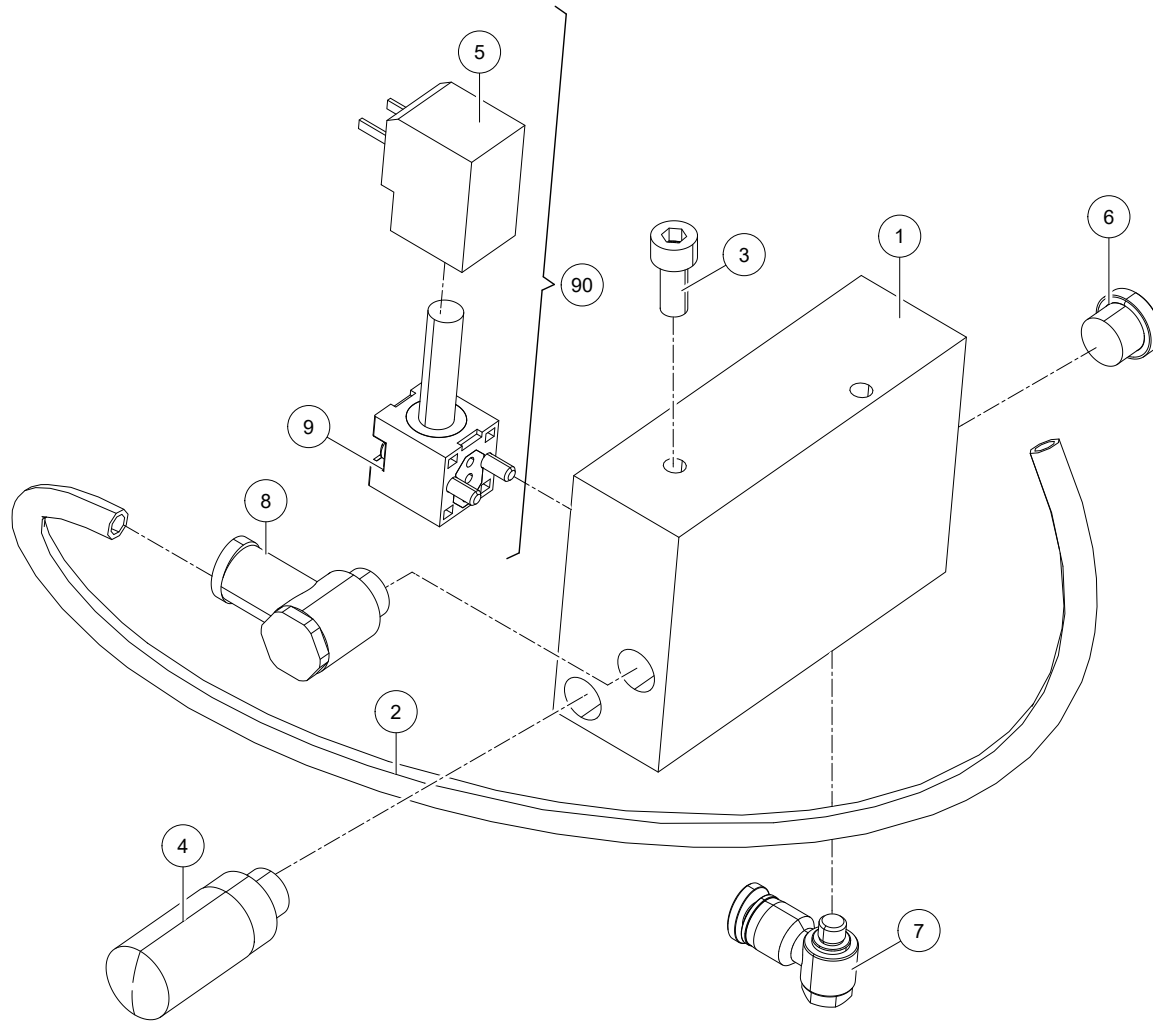
Lely Astronaut A5

Robot Arm

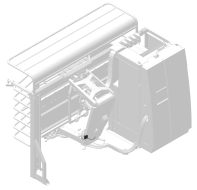
5.1X05.00XX-X

0003242094

Ref.	Part No	Qty.	Description	Techn. info	Criticality	Remark
1	9.1043.0227.0	8	O-ring	7.78x2.55		
2	9.1043.0325.0	4	O-ring	20 x 3 EPDM 3A FDA 70° SHORE		
3	9.1043.0332.0	4	O-ring	10 x 3 NBR 3A FDA 70°SHORE		
4	9.1043.0333.0	4	O-ring	21.95 x 1.78 NBR 70° SHORE		
5	9.1057.0160.5	4	Screw	M 4x12 DIN912s/s		
6	9.1137.0433.0	4	Seal	PISTONSEAL 25 x 18 x 2.1		



$$\textcircled{91} = \textcircled{1} + \textcircled{3} + \textcircled{4} + \textcircled{5} + \textcircled{6} + \textcircled{7} + \textcircled{8} + \textcircled{9}$$



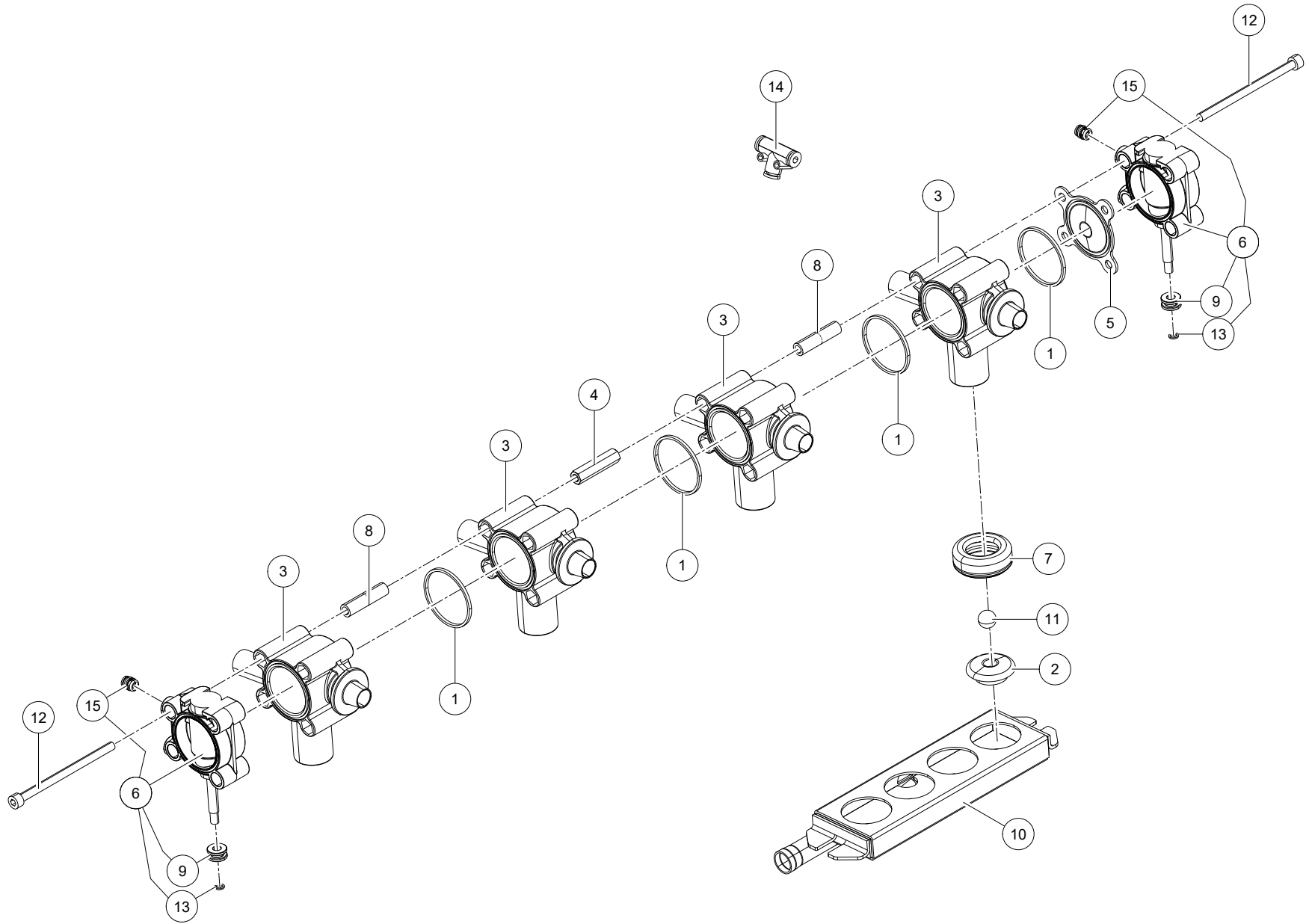
Lely Astronaut A5

Robot Arm

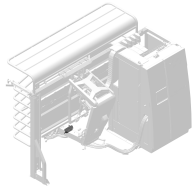
5.1X05.00XX-X

0003242094

Ref.	Part No	Qty.	Description	Techn. info	Criticality	Remark
1	#####	1	Not separately			
2	9.1138.0063.4	1	Tube	BLACK PA 6mm L=430		
3	9.1057.0170.0	2	S.h. bolt	M5x12 DIN912-A2s/s		
4	9.1138.0988.0	1	Silencer	G1/8"		
5	#####	4	Not separately			
6	#####	2	Not separately			
7	9.1138.1233.0	4	Push-pull nipple	PH04-M5 koppeling Ø04xM5		
8	9.1138.1234.0	1	Push-pull nipple	PH06-G01 koppeling Ø06xG1/8		
9	#####	4	Not separately			
90	9.1138.1241.0	1	Valve	3/2 NC10B NW1.6 24VDC		
91	5.1005.3749.0	1	Valve block	Pilot valves NC shut off's		







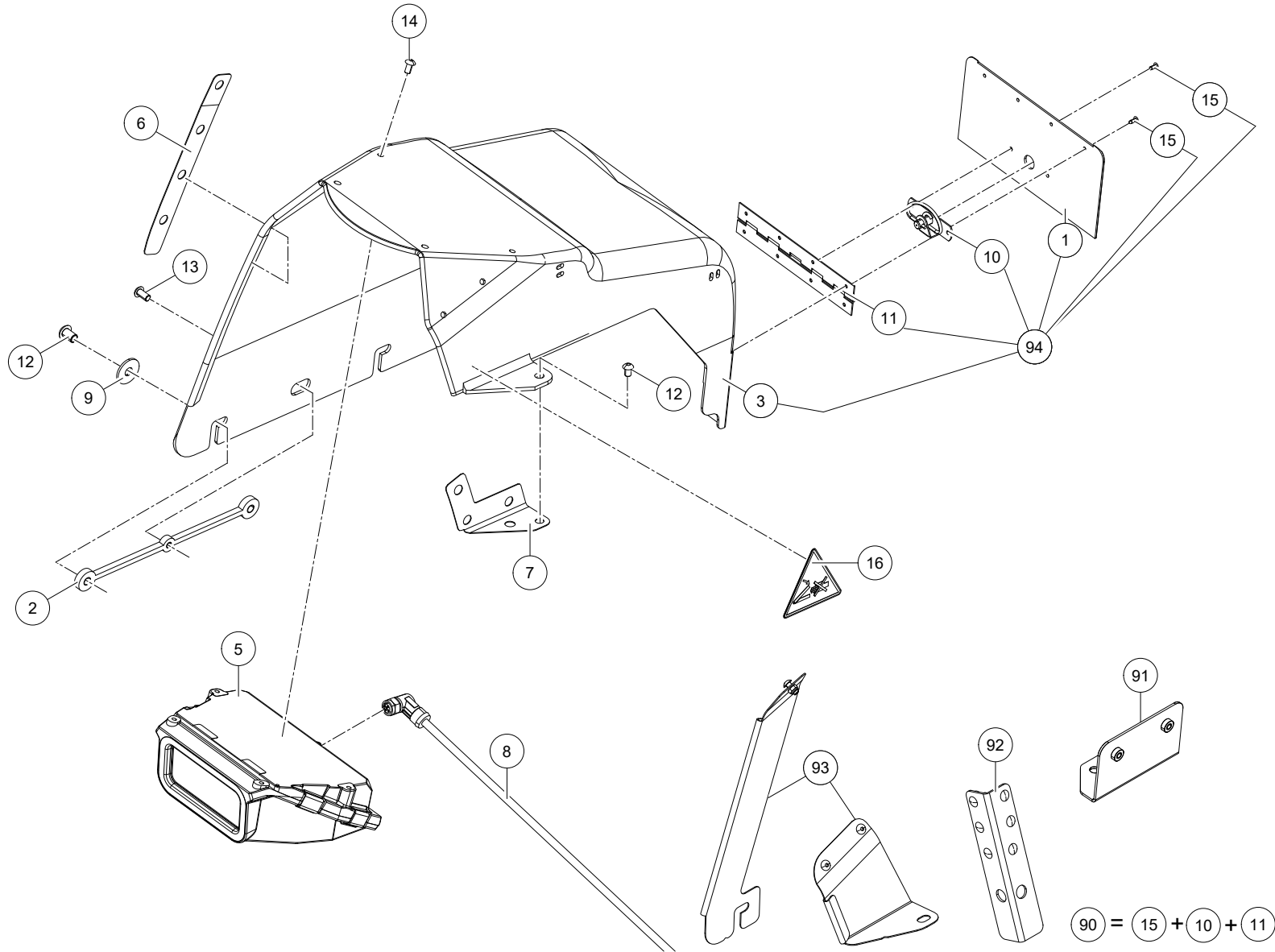
Lely Astronaut A5

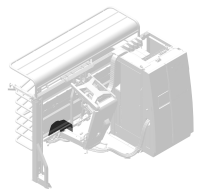
Robot Arm

5.1X05.00XX-X

0003242094

Ref.	Part No	Qty.	Description	Techn. info	Criticality	Remark
1	5.1005.3710.0	4	Seal		Bulk	
2	5.1003.1057.0	4	Locking cap		2	
3	5.1004.0209.0	4	Manifold		2	
4	5.1004.0473.0	4	Nut		2	
5	5.1004.0639.0	1	Plate		2	
6	5.1004.1252.0	2	Cylinder		2	
7	5.1004.2575.0	4	Red. nipple		2	
8	5.1004.2579.0	8	Spacer bushing			
9	5.1004.2629.0	2	Bushing		1	
10	5.1004.2683.0	[R] 1	Manifold		2	
	5.1104.2683.0	[L] ~	Manifold		2	
11	9.1021.0010.3	4	Ball	ø11 PP	2	
12	9.1057.0131.4	8	S.h. bolt	M5x80 DIN912-A2-90 s/s	Bulk	
13	9.1119.0058.0	2	Retaining ring		Bulk	
14	9.1138.0100.6	2	Plug-in coupling	4-4-4mm (T)	Bulk	
15	9.1138.0363.2	4	Coupling 4mm short			





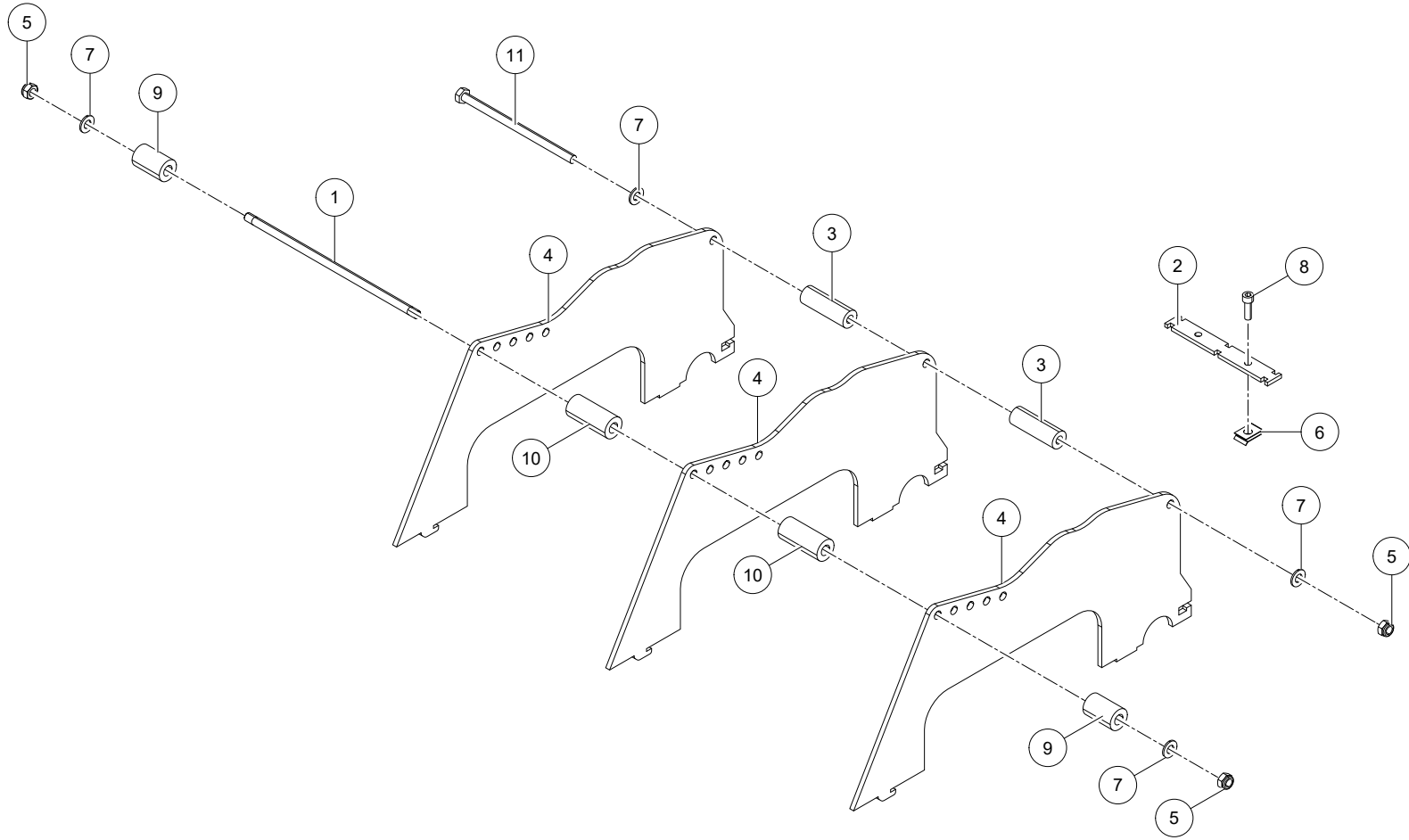
Lely Astronaut A5

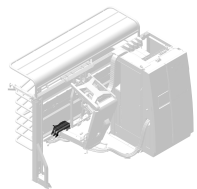
Robot Arm

5.1X05.00XX-X

0003242094

Ref.	Part No	Qty.	Description	Techn. info	Criticality	Remark
1	#####	1	Not separately			
2	5.1003.1338.0	1	Fixation plate			
3	#####	[R] 1	Not separately			
	#####	[L] ~	Not separately			
4	9.1170.0504.5	2	Decal		1	
5	5.1005.3754.0	1	TDS-2			
6	#####	[R] 1	Not separately			
	#####	[L] ~	Not separately			
7	#####	[R] 1	Not separately			
	#####	[L] ~	Not separately			
8	6.2001.1045.0	1	Cable SAC-5P-M12MR/1,5-92X/FR	VA NLY		
9	9.1048.0052.4	2	Washer	A8,4 DIN9021-A2 s/s	Bulk	
10	9.1056.0013.6	1	Spring			
11	9.1056.0014.0	1	Hinge			
12	9.1057.0404.4	3	Button head screw	M8x12 ISO7380-1 A2-70 s/s	Bulk	
13	9.1057.0406.6	1	Button head screw	M6x12 ISO7380-1 A2-70 s/s	Bulk	
14	9.1057.0418.4	4	Button head screw	M5x10 ISO7380-1 A2 s/s		
15	9.1152.0011.6	10	Blind rivet	3,0x 6 s/s		
90	5.1003.9016.0	1	Conversionset laser hatch			
91	5.1003.9480.0	1	Rep. set laser cover			
92	5.1004.7026.0	1	Set repair carbon hood			
93	5.1004.7117.0	[R] 1	Repair kit cap right			
	5.1104.7117.0	[L] ~	Repair kit cap right			
94	5.1003.2960.0	[R] 1	Cover		1	
	5.1103.2960.0	[L] ~	Cover		1	

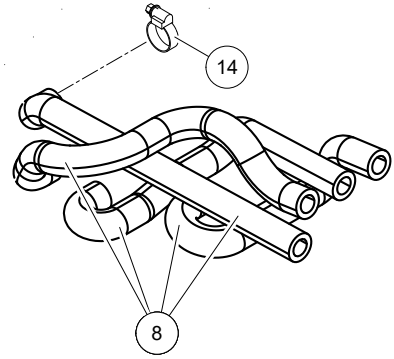
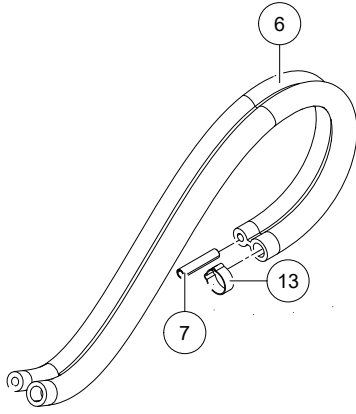
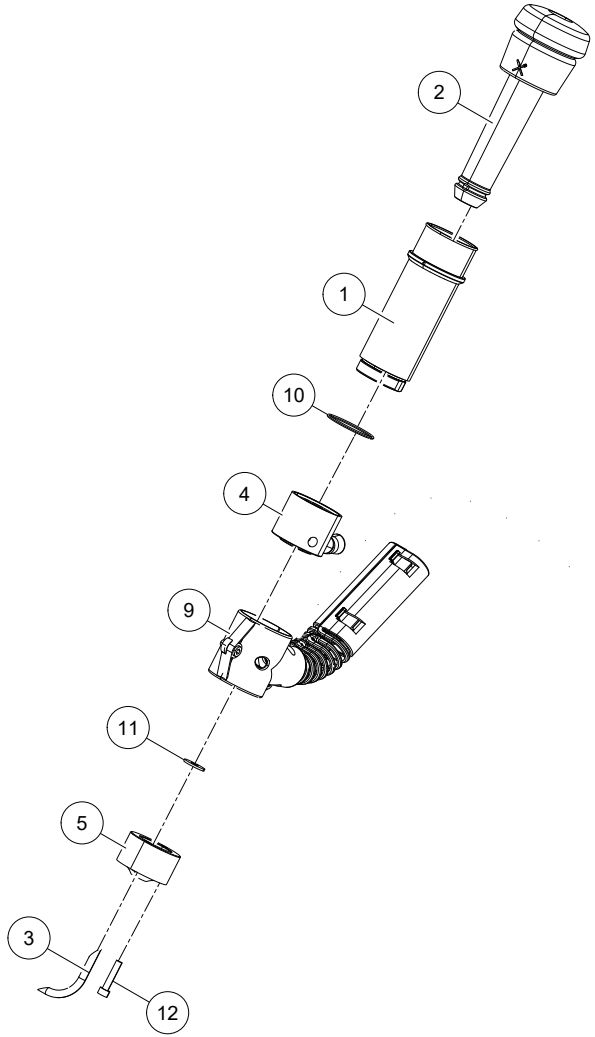


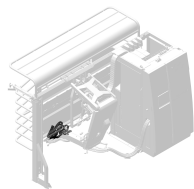


Lely Astronaut A5      Robot Arm      5.1X05.00XX-X      0003242094

Ref.	Part No	Qty.	Description	Techn. info	Criticality	Remark
1	5.1003.0869.0	1	Shaft		1	
2	5.1003.1262.0	1	Locking strip			
3	5.1003.1409.0	2	Spacer bushing			
4	5.1004.0486.0	3	Plate		1	
5	9.1030.0020.4	3	Nut	M8 DIN985 A2-2 s/s	Bulk	
6	#####	2	Not separately			
7	9.1048.0050.2	4	Washer	A8,4 DIN125-A2 s/s	Bulk	
8	9.1057.0092.0	2	S.h. bolt	M6x20 DIN912-A2 s/s	Bulk	
9	9.1073.0088.1	2	Spacer bushing	10.6x22x35		
10	9.1073.0089.2	2	Spacer bushing	10.6x22x50		
11	9.1113.0351.6	1	Bolt	M8x140 DIN931-A2-2 s/s	Bulk	

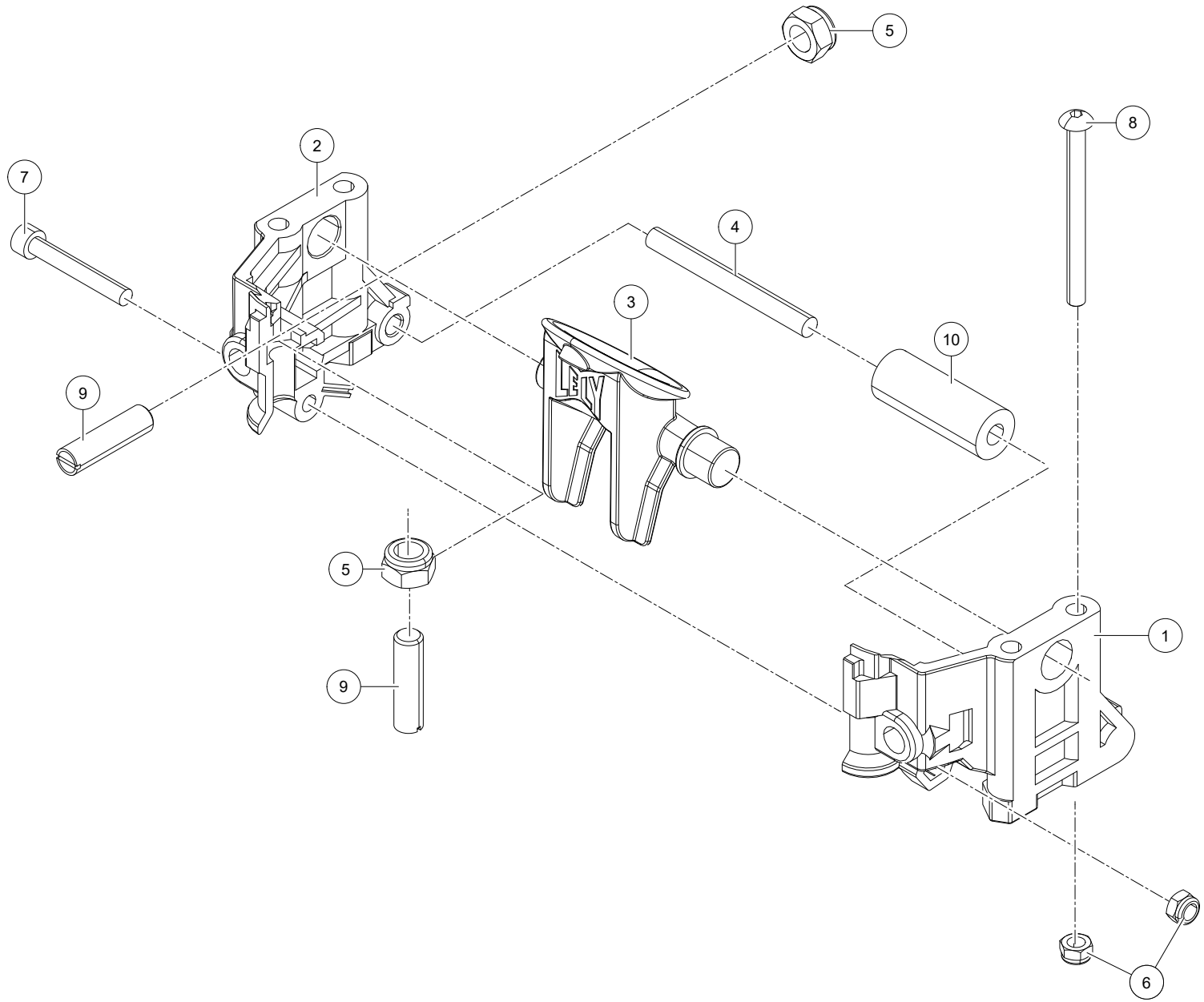




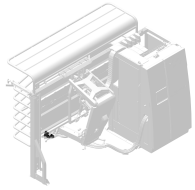


Lely Astronaut A5      Robot Arm      5.1X05.00XX-X      0003242094

Ref.	Part No	Qty.	Description	Techn. info	Criticality	Remark
1	5.1002.0543.0	2	Teat cup sleeve		2	(see page 80)
2	5.1002.0559.0	2	Teat liner	21mm		
3	5.1003.1383.0	2	Cord	L=3000mm	2	(see page 78)
4	5.1003.1390.0	[R] 2	Milk collector	0.8 mm	2	
	5.1103.1390.0	[L] ~	Milk collector	0.8 mm	2	
5	5.1003.1494.0	2	Centring cup		2	
6	#####	1	Not separately			
7	5.1004.1334.0	4	Tube	L=40mm	2	
8	5.1004.1531.0	[R] 1	Tube	set ass.	2	
	5.1104.1531.0	[L] ~	Tube		2	
9	#####	1	Not separately			Lely Consumables
10	9.1043.0046.3	2	O-ring	37,82x1,78	2	
11	9.1048.0095.5	2	Washer	A6,4 DIN9021-A2 s/s	Bulk	
12	9.1057.0101.2	4	S.h. bolt	M5x25 DIN912-A2 s/s	Bulk	
13	9.1066.0052.0	4	Hose clamp	DN15	Bulk	
14	9.1066.0091.0	4	Hose clamp	Hose clamp 16-27 screw tightenin s/s		







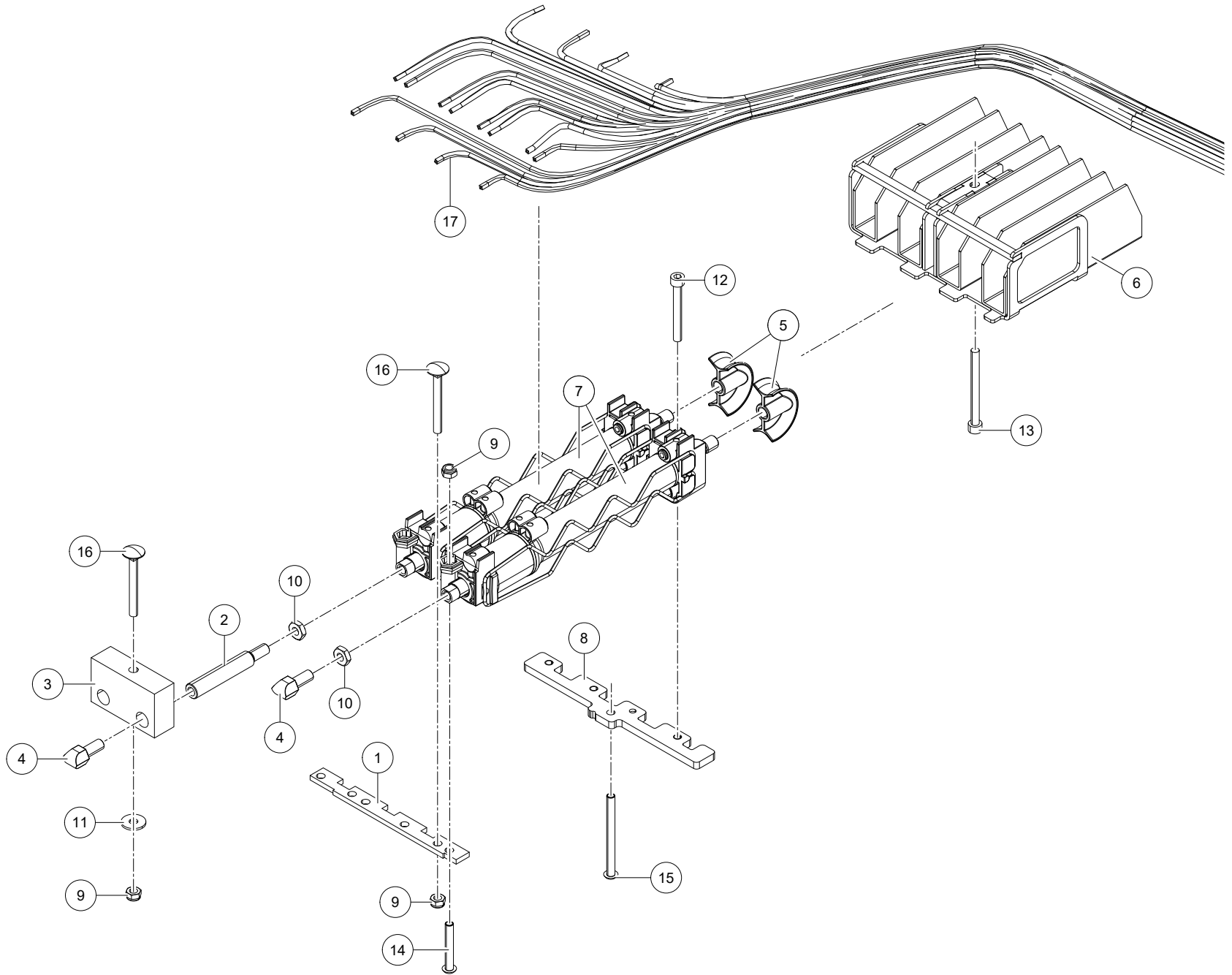
Lely Astronaut A5

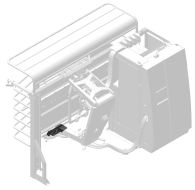
Robot Arm

5.1X05.00XX-X

0003242094

Ref.	Part No	Qty.	Description	Techn. info	Criticality	Remark
1	5.1003.1044.0	4	Tilting cup RH		2	
2	5.1003.1045.0	4	Tilting cup LH		2	
3	5.1003.1430.0	4	Tilting cup		2	
4	5.1003.1461.0	4	Shaft		1	
5	9.1030.0020.4	8	Nut	M8 DIN985 A2-2 s/s	Bulk	
6	9.1030.0035.5	20	Nut	M5 DIN985 A2-2 s/s	Bulk	
7	9.1057.0151.3	4	S.h. bolt	M5x35 DIN912-A2 s/s	Bulk	
8	9.1057.0424.3	16	Button head screw	M5x60 ISO7380-A2 s/s	Bulk	
9	9.1063.0025.4	8	Adj.screw	M8x30	2	
10	9.1073.0034.3	4	Spacer bushing		2	





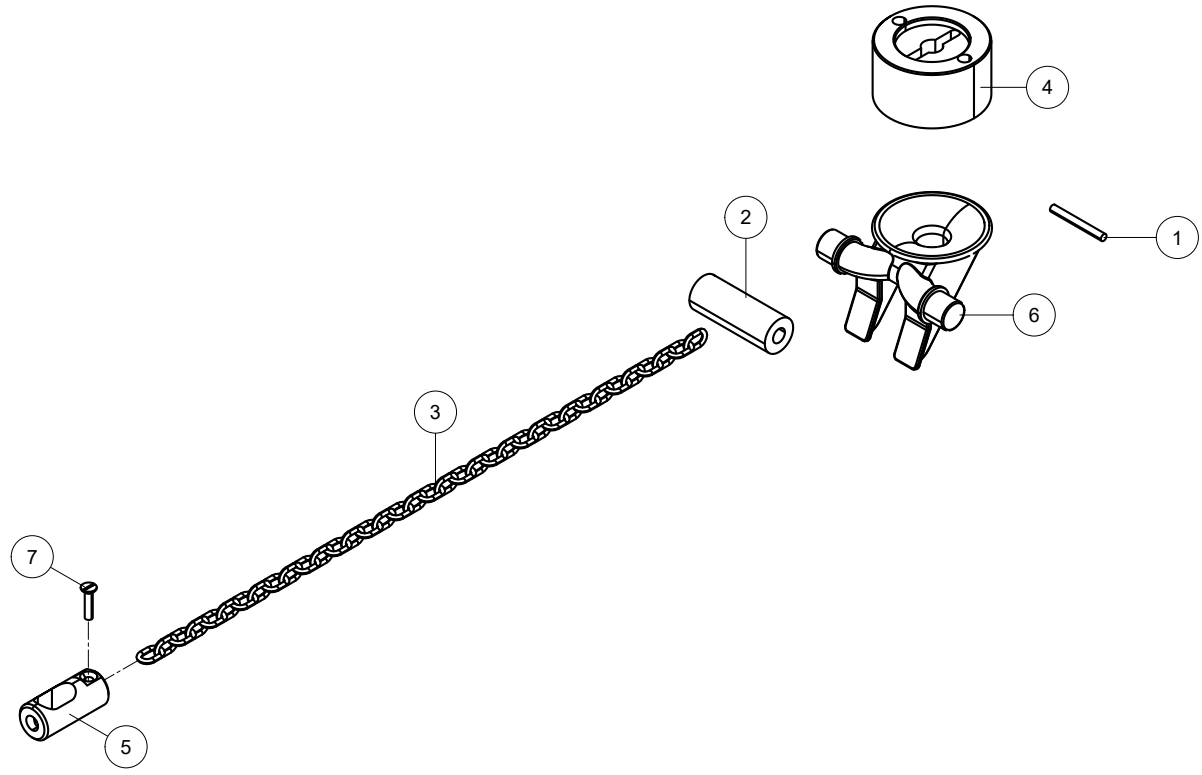
Lely Astronaut A5

Robot Arm

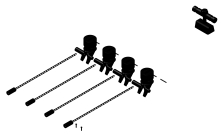
5.1X05.00XX-X

0003242094

Ref.	Part No	Qty.	Description	Techn. info	Criticality	Remark
1	5.1003.1043.0	1	Plate		1	
2	5.1003.1387.0	2	Shaft			
3	5.1003.1388.0	1	Block		1	
4	5.1003.1447.0	4	Compression piece		2	
5	5.1003.1479.0	4	Cord tensioner		2	
6	5.1003.2181.0	1	Rope conductor		2	
7	5.1004.6097.0	4	Cylinder			
8	5.1004.6994.0	1	Plate			
9	9.1030.0021.5	7	Nut	M6 DIN985 A2-2 s/s	Bulk	
10	9.1034.0011.5	4	Nut	M8x1,25 DIN439 s/s		
11	9.1048.0095.5	1	Washer	A6,4 DIN9021-A2 s/s	Bulk	
12	9.1057.0126.6	4	S.h. bolt	M6x50 DIN912-A2 s/s	Bulk	
13	9.1057.0162.0	1	S.h. bolt	M6x65 DIN912-A2 s/s	Bulk	
14	9.1057.0433.0	4	Screw	M6x 40 A2-70 s/s		
15	9.1057.0470.0	1	Button head screw	M 6x30 ISO7380-1 8.8 GALV	Bulk	
16	9.1058.0058.0	3	Coach bolt	M6x55 DIN603-A2 s/s	Bulk	
17	9.1138.0062.3	16	Tube	Black PA 4mm, L=2200mm	Bulk	



Lely Astronaut A5 Robot Arm 5.1X05.00XX-X 0003242094



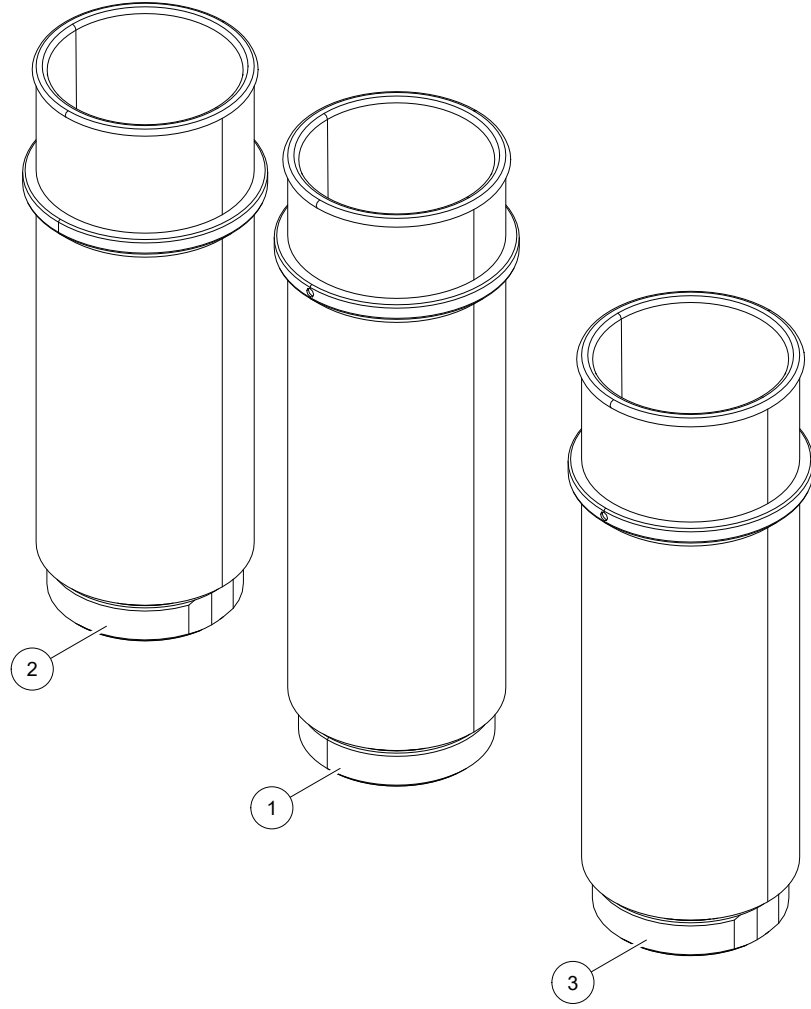
Ref.	Part No	Qty.	Description	Techn. info	Criticality	Remark
1	5.1004.5938.0	5	Bar			
2	5.1004.5939.0	4	Guidance			
3	5.1004.6056.0	4	Chain	TANGLE RESISTANT TRADE SIZE 1.8MM		
4	5.1004.6061.0	4	Adjustment bushing			
5	5.1004.6421.0	4	Bushing			
6	5.1004.6629.0	4	Swivel			
7	9.1060.0051.0	6	Count.h.screw	M 3x 14 s/s		

D000398-001

Chain Set

F-6



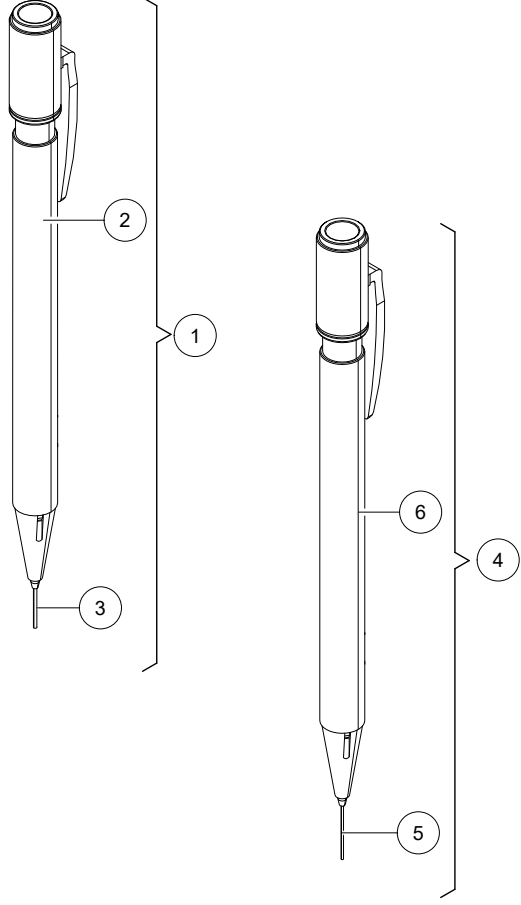




Lely Astronaut A5      Robot Arm      5.1X05.00XX-X      0003242094

Ref.	Part No	Qty.	Description	Techn. info	Criticality	Remark
1	#####	1	Not separately			
2	5.1002.0543.0	1	Teat cup sleeve		2	Lely Consumables
3	#####	1	Not separately			





D000398-003

Bleed Hole Needle

F-8



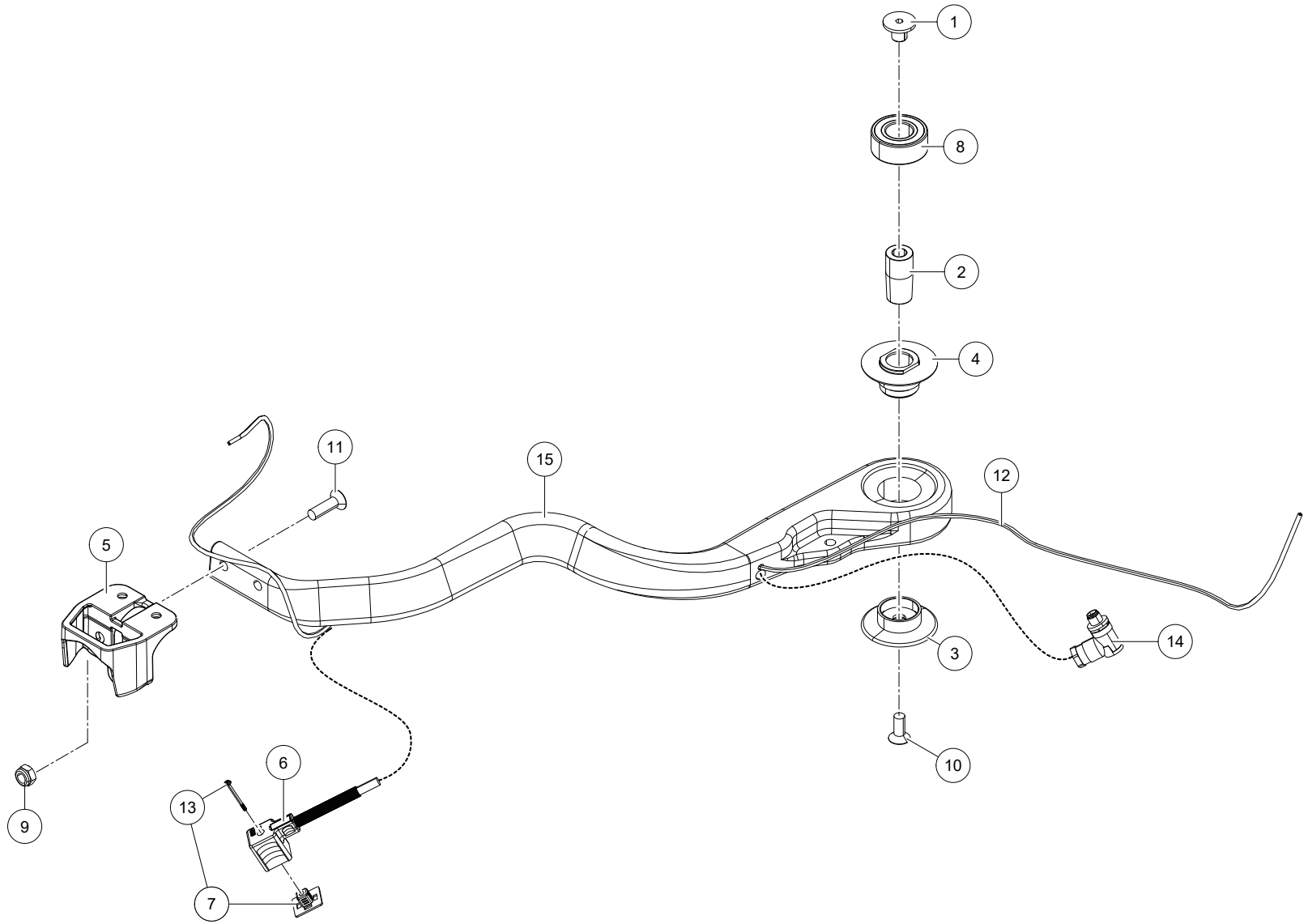


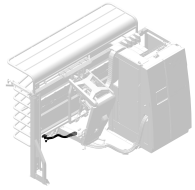


Lely Astronaut A5      Robot Arm      5.1X05.00XX-X      0003242094

Ref.	Part No	Qty.	Description	Techn. info	Criticality	Remark
1	5.1080.0800.0	1	Tool	0.7 mm		
2	5.1080.0807.0	1	VULPOTLOOD (VVD.5.1080.0807.0)	VULPOTLOOD (VVD.5.1080.0807.0)		
3	5.1080.0809.0	1	Pen			
4	5.1080.0811.0	1	Tool	0.5 mm		
5	5.1080.0812.0	1	Rod	BLEED HOLE NEEDLE 0.5mm		
6	5.1080.0813.0	1	Tool	BLEED HOLE NEEDLE PENCIL 0.5mm		







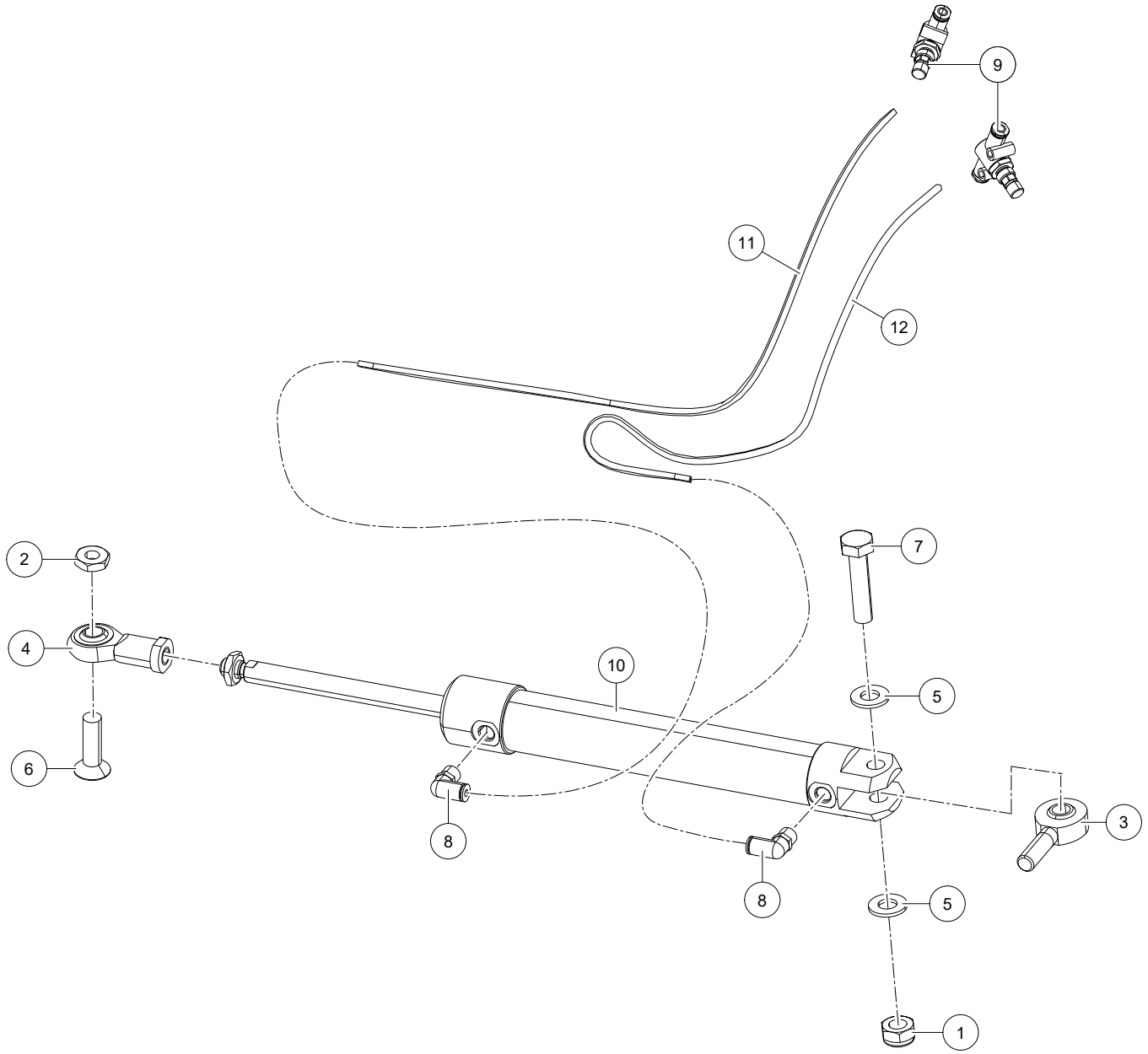
Lely Astronaut A5

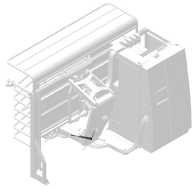
Robot Arm

5.1X05.00XX-X

0003242094

Ref.	Part No	Qty.	Description	Techn. info	Criticality	Remark
1	5.1003.0999.0	1	Screw		1	
2	5.1003.1004.0	1	Pivot pin		Bulk	
3	5.1003.2164.0	1	Clamping piece		1	
4	5.1003.2165.0	1	Compression piece		1	
5	5.1004.6959.0	1	Bracket			
6	5.1004.6998.0	1	Cable			
7	5.1004.6999.0	1	Kit	SCREW+SEALS: AVT 36110759		
8	9.1005.1010.5	1	Bearing	S3205 B	Bulk	
9	9.1030.0022.6	2	Nut	M10 DIN985 A2-2 s/s	Bulk	
10	9.1057.0331.1	1	Screw	M10x25 DIN7991-A2 s/s	Bulk	
11	9.1057.0342.5	2	Screw	M10x35 DIN7991-A2 s/s	Bulk	
12	9.1138.0062.3	1	Tube	4mm PA black		
13	9.1186.1029.0	1	Screw	GDM 3011 RF-1		
14	9.1186.1064.0	1	Connector SACC-M12MRT-4CON-	PG11-M	2	
15	5.1004.1310.0	[R] 1	Arm cabon ass.			
	5.1104.1310.0	[L] ~	Arm			





Lely Astronaut A5

Robot Arm

5.1X05.00XX-X

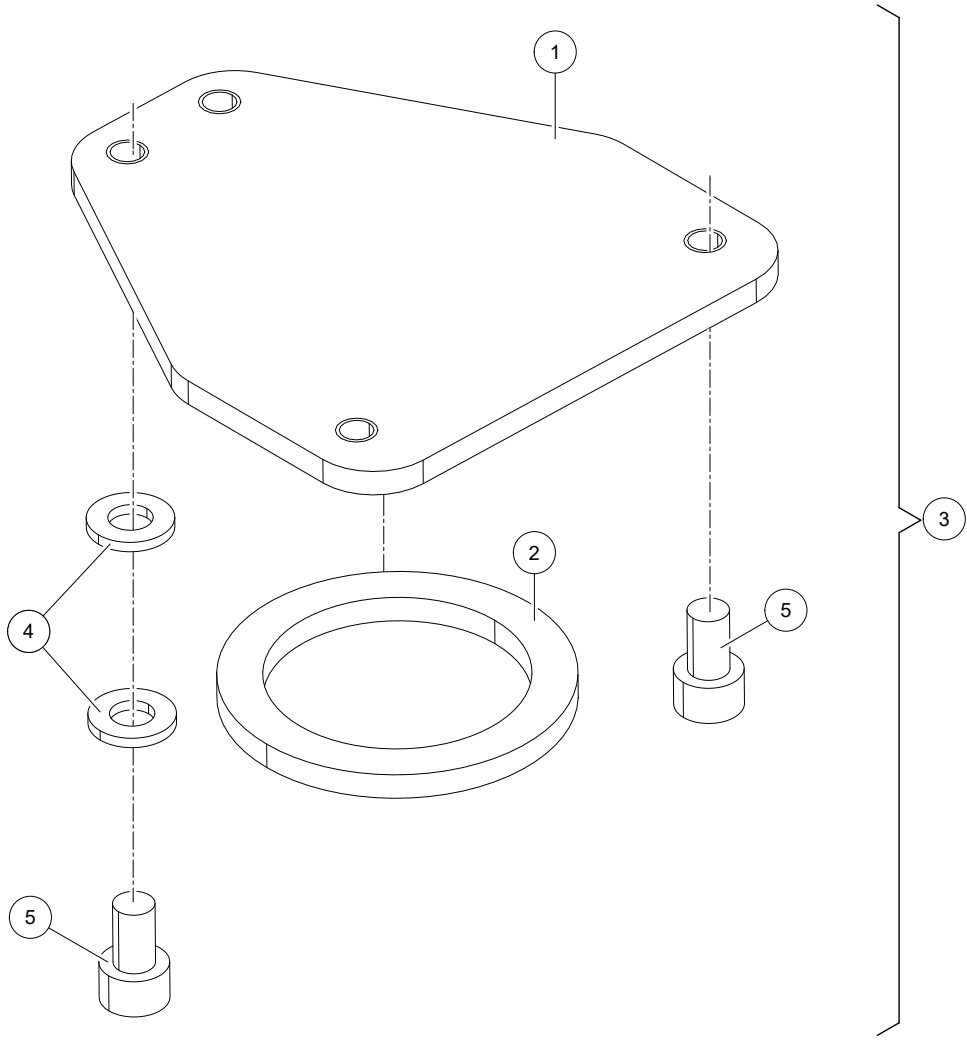
0003242094

Ref.	Part No	Qty.	Description	Techn. info	Criticality	Remark
1	9.1185.0013.3	1	Hose			
2	9.1034.0017.4	1	Nut	M10 DIN439-S/S A2		
3	9.1038.0043.5	1	Ball head			
4	9.1038.0044.6	1	Ball head			
5	9.1048.0051.3	2	Washer	A10,5 DIN125-A2 s/s		
6	9.1057.0342.5	1	Screw	M10x35 DIN7991-A2 s/s		
7	9.1113.0348.3	1	Bolt	M10x45 DIN931-A2-2 s/s		
8	9.1138.0089.2	2	Plug-in coupling	1/8"x4mm (┘)		
9	9.1138.0188.3	2	Pressure reducer	4-4mm		
10	9.1138.1073.0	1	Cylinder	Cleaning arm		
11	9.1138.0062.3	1	Tube	4mm PA black		
12	9.1138.0062.3	1	Tube	4mm PA black		

D000395-003

Cleaning Arm Cylinder

G-2

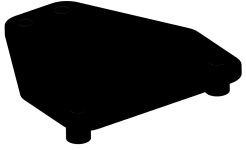


89

Lely Astronaut A5

5.1X05.00XX-X

0003242094



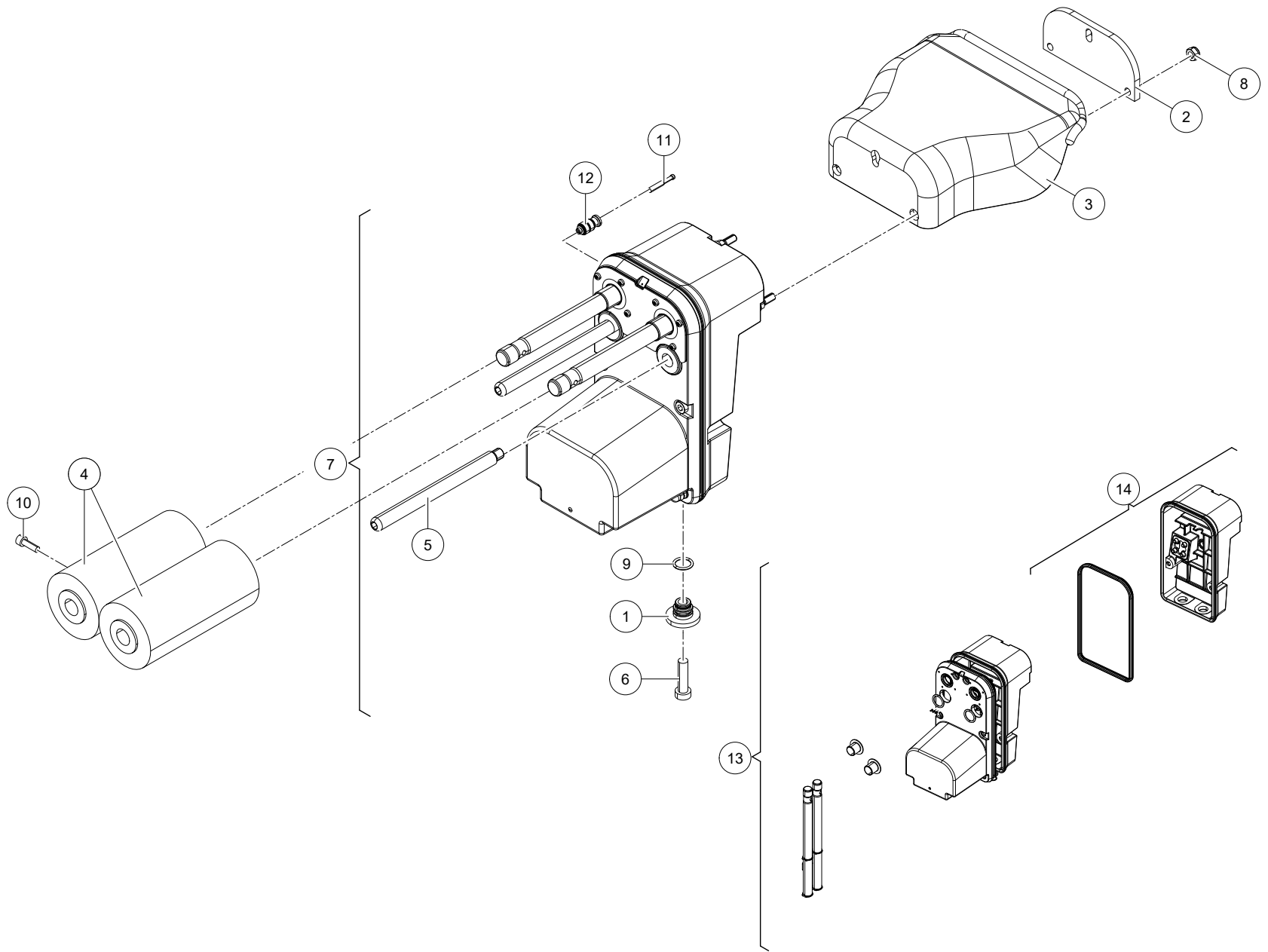
Ref.	Part no.	Qty.	Description	Techn. info	Criticality	Remark
1	5.1004.7017.0	1	Plate			
2	5.1004.7018.0	1	Ring			
3	5.1004.7019.0	1	Set	Clamping bearing cleaning arm A3		
4	5.1004.7020.0	1	Plate			
5	9.1048.0090.0	4	Washer	A6,4 DIN125-A2 s/s	Bulk	
6	9.1057.0057.0	4	S.h. bolt	M6x10 DIN912 A2-2 s/s	Bulk	

D000398-005

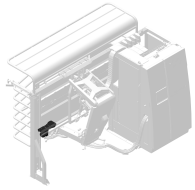
Clamping Bearing Cleaning

G-3



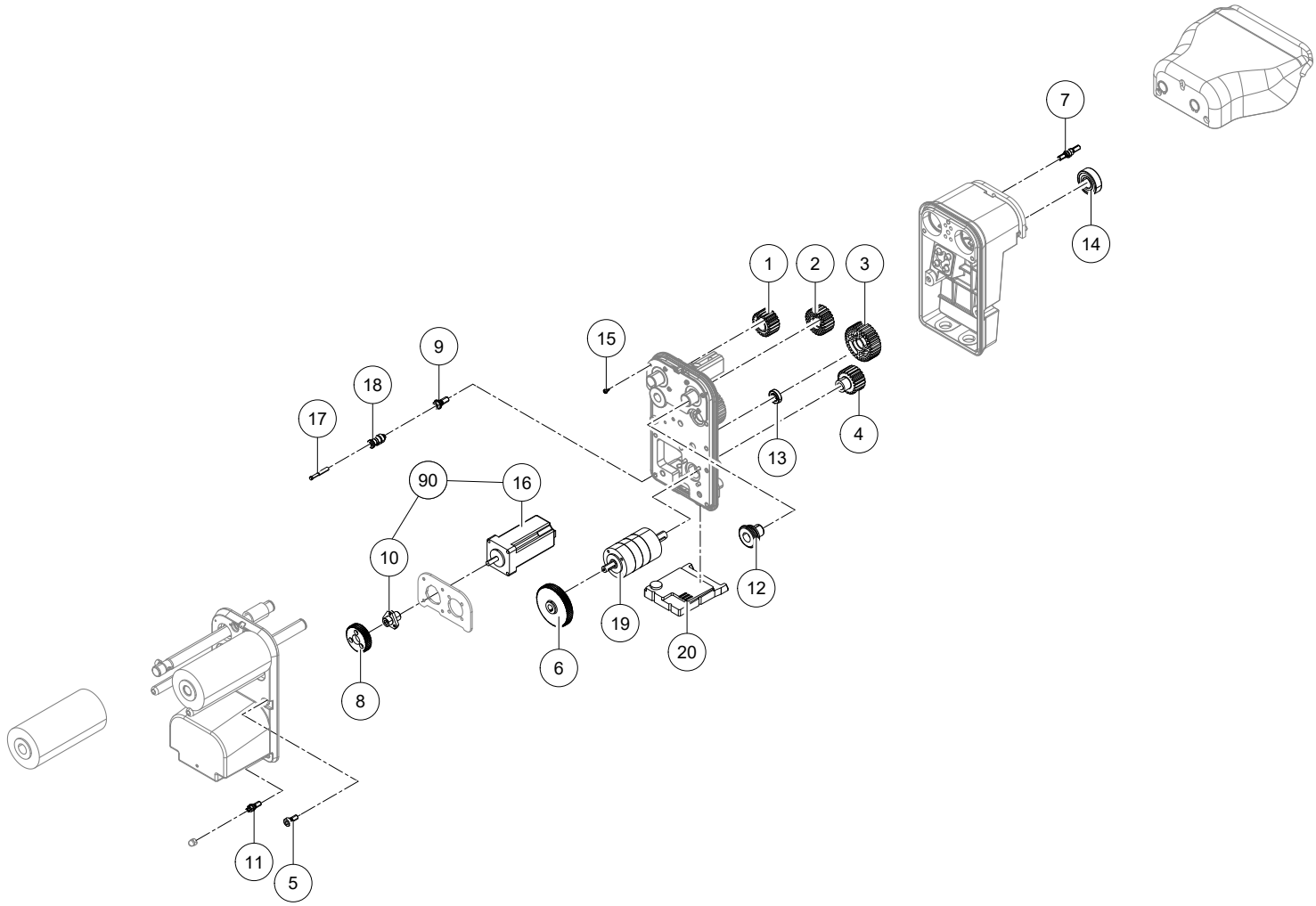


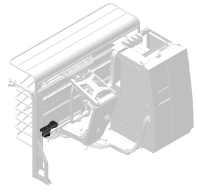




Lely Astronaut A5      Robot Arm      5.1X05.00XX-X      0003242094

Ref.	Part No	Qty.	Description	Techn. info	Criticality	Remark
1	5.1004.0316.0	1	Bush		1	
2	5.1004.0441.0	1	Plate			
3	5.1004.1333.0	1	Cover			
4	5.1004.1446.0	1	Cleaning brush set	2x 5-1004-1437-0	1	Lely Consumables
5	5.1004.6634.0	1	Rod			
6	5.1004.6962.0	1	Socket head screw	M8 x 30 DIN 6912 s/s TUFLOK		
7	5.1005.3222.0	1	Brush unit ass.		2	
8	9.1030.0021.5	3	Nut	M6 DIN985 A2-2 s/s	Bulk	
9	9.1043.0263.0	1	O-ring	13 x 2 FKM GREEN A&P 11.2017.0728		
10	9.1057.0066.2	2	S.h. bolt	M5x16 DIN912-A2 s/s	Bulk	
11	9.1138.0066.0	1	Plug	4mm	1	
12	9.1138.1067.0	1	Coupling	S/S FESTO 132328		
13	5.1004.7300.0	1	Kit	BRUSH UNIT		
14	5.1004.7298.0	1	Housing			





Lely Astronaut A5

Robot Arm

5.1X05.00XX-X

0003242094

Ref.	Part No	Qty.	Description	Techn. info	Criticality	Remark
1	5.1003.1399.0	1	Gear Z=21			
2	5.1003.1427.0	1	Gear Z=23			
3	5.1003.1451.0	2	Gear Z=32			
4	5.1004.0284.0	1	Gear			
5	5.1004.0412.0	6	Screw			
6	5.1004.0432.0	1	Gear			
7	5.1004.0442.0	3	Bolt			
8	5.1004.1429.0	1	Gear			
9	5.1004.1932.0	1	Bolt			
10	5.1004.5128.0	1	Flange			
11	5.1004.6579.0	1	Bolt			
12	5.1004.6633.0	2	Bushing		2	
13	9.1001.0169.0	1	Ball bearing	W61800-2RS1 s/s		
14	9.1001.0179.0	4	Bearing	W 6202-2RS1 S/S		
15	9.1064.0135.1	8	Screw	2,9x6,5 ISO14585-A2 s/s		
16	#####	1	Not separately			
17	9.1138.0066.0	1	Plug	4mm		
18	9.1138.1067.0	1	Coupling	S/S FESTO 132328		
19	9.1184.0036.6	1	Planetair reduction	PLE40-OP1		
20	9.1184.0036.6	1	Pcb ass.			
90	5.1004.5184.0	1	Motor			



INTENTIONALLY BLANK



**Lely Industries N.V.**

Cornelis van der Lelylaan 1

NL-3147 PB Maassluis

Tel +31 (0)88 - 12 28 221

Fax +31 (0)88 - 12 28 222

