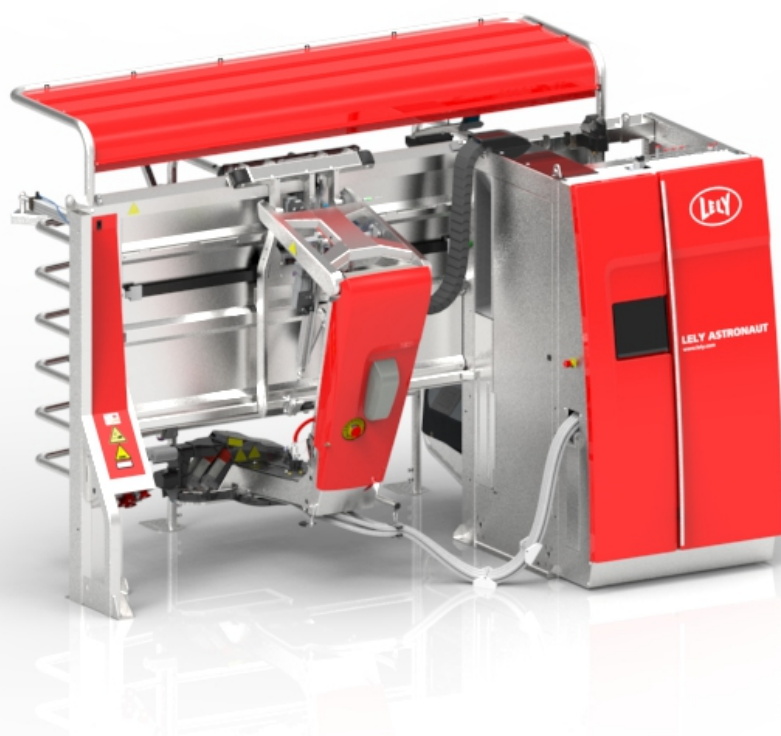


Lely Astronaut A5 Tool Set



Parts list

5.1005.8572.0 C

English Original





INTENTIONALLY BLANK

Preface

Applicability

Type number:	As from serial number:
5.1X05.00XX-X	0003242094

Spare Parts

When ordering spare parts it is important that you are aware of the type and serial number of your machine. Use only genuine LELY parts.

Criticality

Criticality = Bulk, 0, 1, 2

- Bulk = Bulk item.
- 0 = Not critical.
- 1 = Not very critical.
- 2 = Critical.

Explanation of Signs Used in the Parts List

[R] / [RH]	By RH or LH version the position of the part is meant, seen from the rear of the machine.
[L] / [LH]	
[~]	E.g.: LH version is not similar to the RH version, which is actually shown.
[#]	Not available seperately.



INTENTIONALLY BLANK

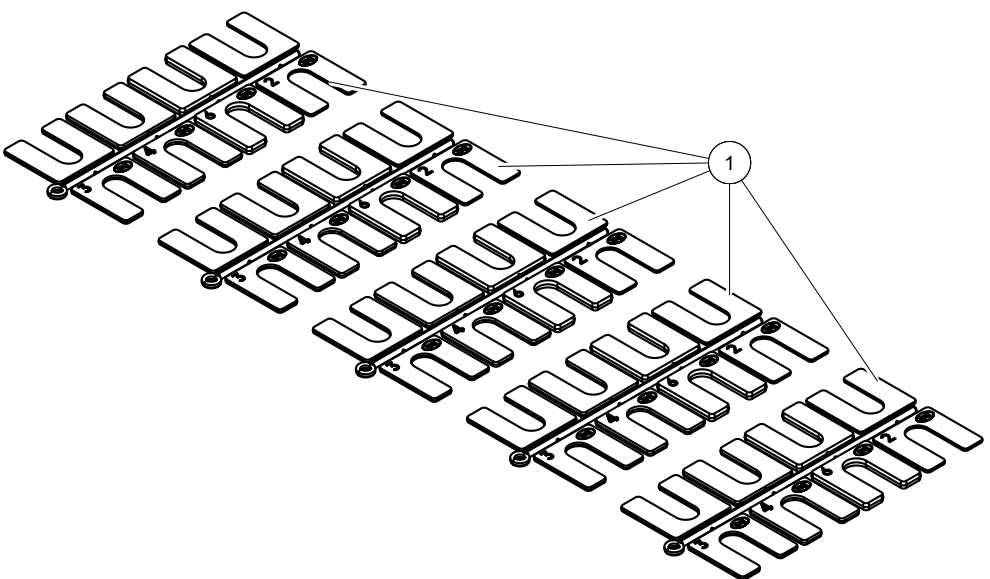


Table of Contents

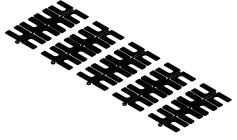
A	Tool Set	7
A-1	Set Robot Supplies	7
A-2	Tool Set	9
A-3	Y-Drive Tool	13
A-4	Tool Overload System/Torque Screwdriver+bit	15
A-5	Set Vacuum and Pulsation Tests	17



INTENTIONALLY BLANK



8



Astronaut A5 Tools 5.1X05.00XX-X 0003242094

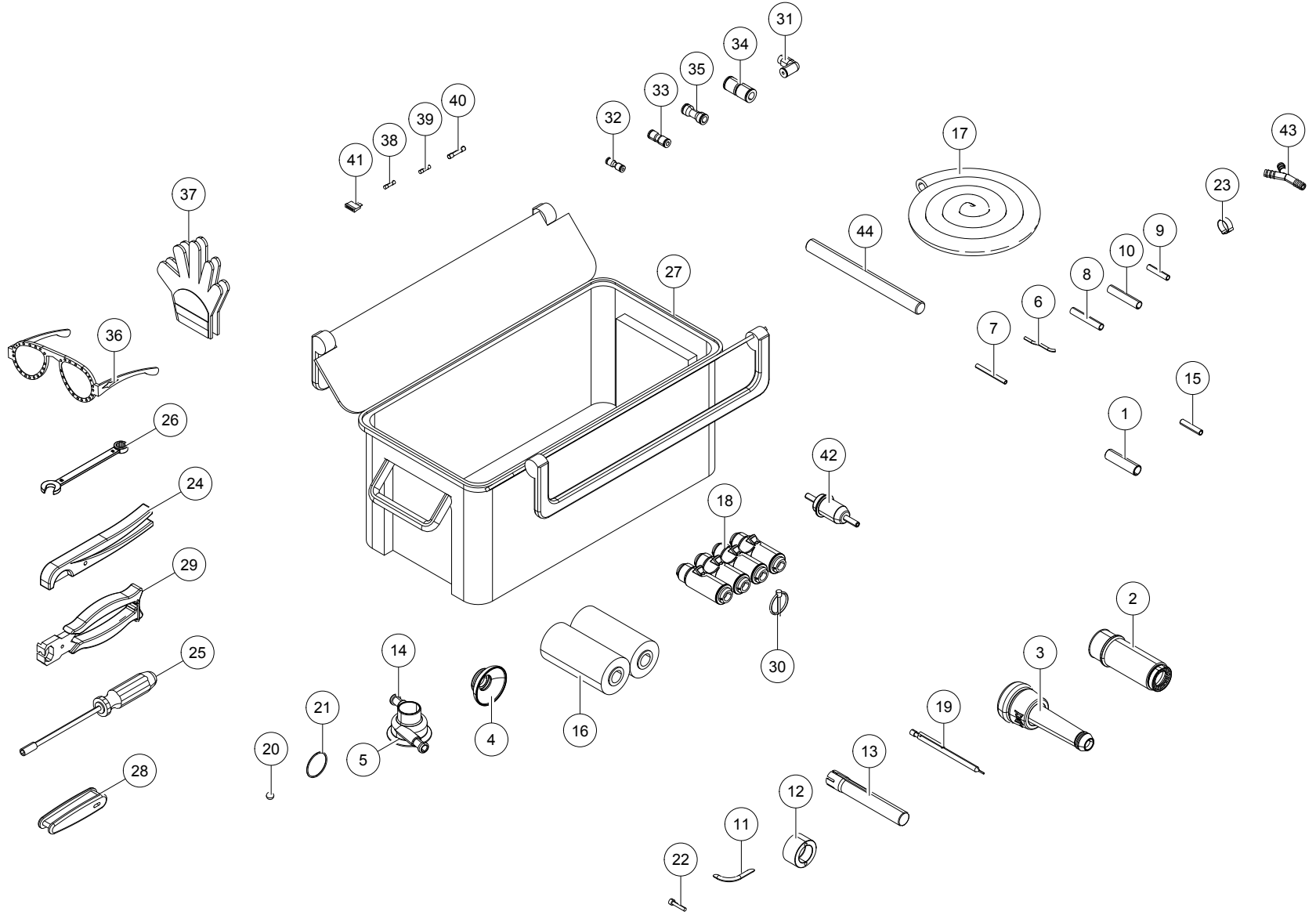
Ref.	Part No	Qty.	Description	Techn. info	Criticality	Remark
1	5.1004.2119.0	5	Filling compound			

D000407-001

Set Robot Supplies

A-2

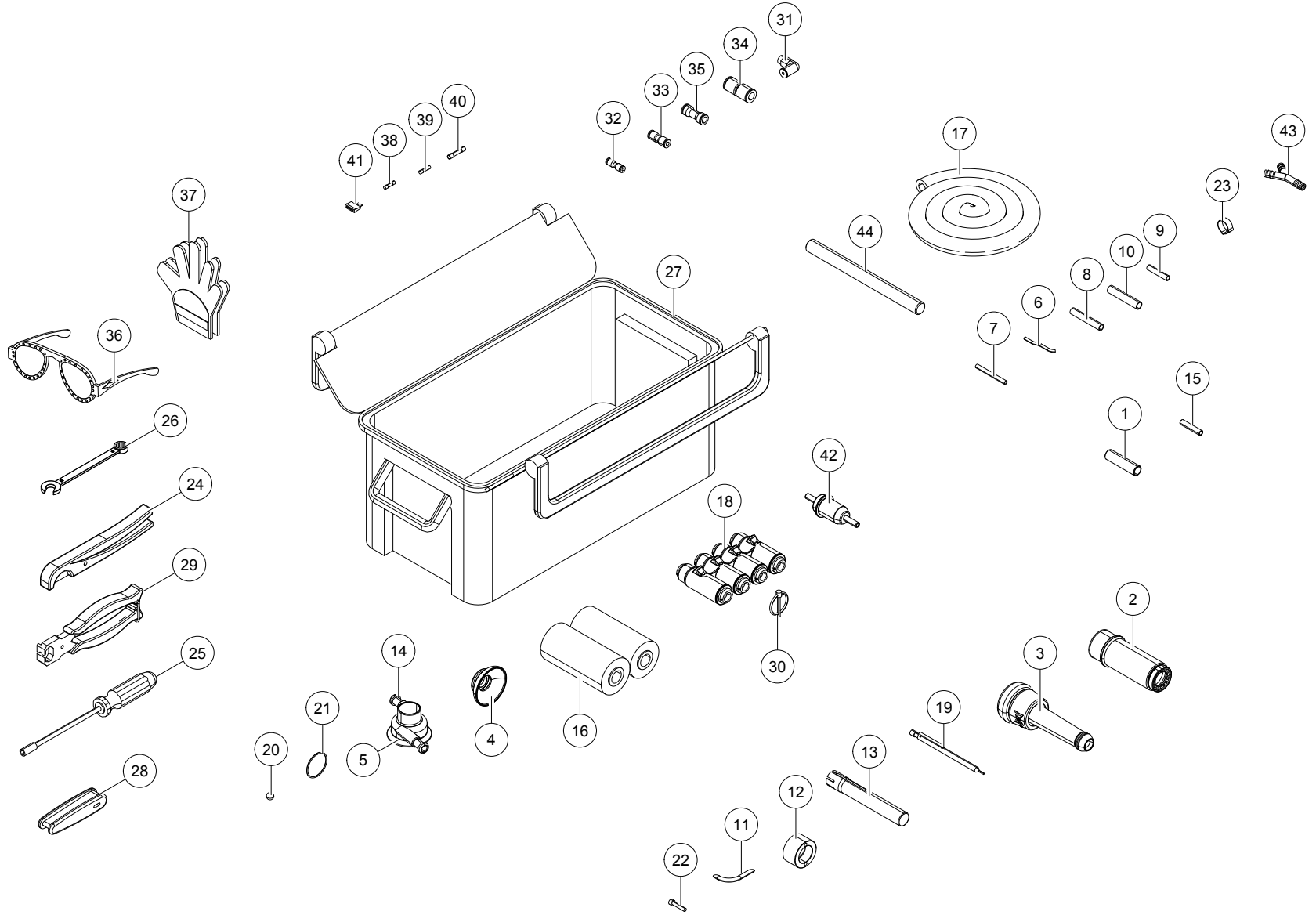


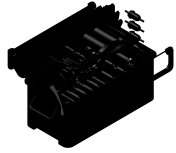




Ref.	Part No	Qty.	Description	Techn. info	Criticality	Remark
1	5.1001.6659.0	2	Coupling piece			
2	5.1002.0543.0	1	Teat cup sleeve			
3	5.1002.0559.0	4	Teat liner	21mm		
4	5.1003.0678.0	1	Jetter cap			
5	5.1003.0749.0	1	Rinse head			
6	9.1138.0062.3	1	Tube	4mm PA black		
7	9.1138.0063.4	1	Pneumatic tube	ZWART PA 6mm L=3000mm		
8	9.1138.0154.4	1	Pneumatic tube	ZWART PUN-H 10mm L=500		
9	9.1138.0065.6	1	Hose	ø8mm blue (100m)		
10	9.1138.0155.5	1	Pneumatic tube	BLAUW PUN-H 12mm L=500		
11	5.1003.1383.0	4	Cord	L=3000mm		
12	5.1003.1494.0	2	Centring cup			
13	5.1003.9014.0	1	Teat liner installation tool			
14	5.1004.1078.0	2	Restrictor tube			
15	5.1004.1334.0	2	Tube	L=40mm		
16	5.1004.1446.0	1	Cleaning brush set	2x 5.1004.1437.0		
17	9.1185.0013.3	1	Hose	14x25mm silicon		
18	#####	1	Not separately			
19	5.1080.0800.0	1	Tool	0.7 mm		
20	9.1021.0010.3	4	Ball	ø11 PP		
21	9.1043.0046.3	2	O-ring	37,82x1,78		
22	9.1057.0101.2	2	S.h. bolt	M5x25 DIN912-A2 s/s		
23	9.1066.0052.0	8	Hose clamp	DN15		
24	9.1074.0022.4	1	Tool			
25	9.1074.0023.5	1	Tool	7mm		
26	9.1074.0025.0	1	Tool	13mm		
27	9.1074.0026.1	1	Toolbox			
28	9.1074.0042.3	1	Tool			
29	9.1074.0044.5	1	Tool	205 Clic-R		
30	9.1123.0012.1	1	Locking pin	4.7x32 s/s-A2		
31	9.1138.0039.1	1	Plug-in coupling	1/4"x4mm (┘)		
32	9.1138.0092.5	2	Plug-in coupling	4-4mm ()		
33	9.1138.0093.6	2	Plug-in coupling	6-6mm ()		
34	9.1138.0192.0	2	Plug-in coupling	12-12mm ()		
35	9.1138.0194.2	2	Plug-in coupling	10-10mm ()		
36	9.1185.0191.6	1	Protective spectacles			

CONTINUED





Astronaut A5 Tools 5.1X05.00XX-X 0003242094

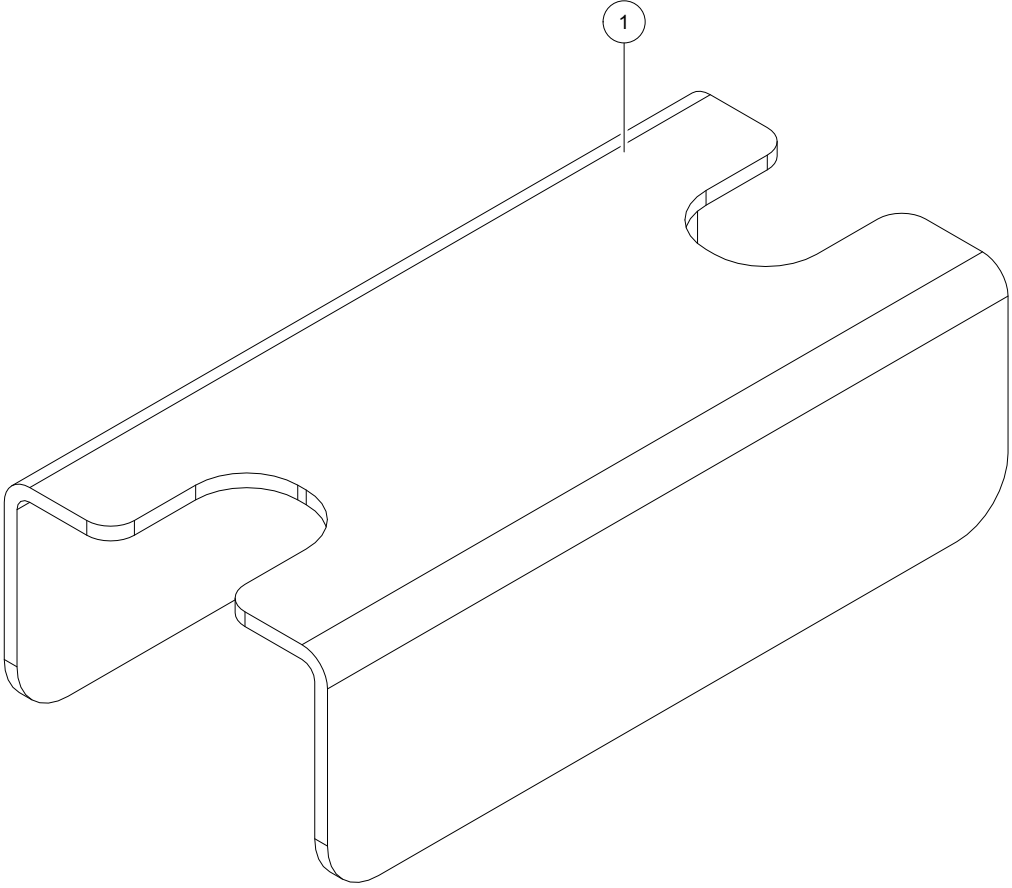
Ref.	Part No	Qty.	Description	Techn. info	Criticality	Remark
37	9.1185.0192.0	1	Safety gloves			
38	9.1185.0877.0	10	Glass fuse	15AF (5x20mm)		
39	9.1185.0878.0	10	Glass fuse	8AF (5x20mm)		
40	9.1185.0934.0	10	Glass fuse 8A 6.3x32			
41	9.1186.0400.0	1	Fuse	Fuse 30A		
42	9.1189.0213.0	4	Filter			
43	9.2018.0077.0	2	Red. nipple			
44	9.9004.0075.0	4	sTDS test tool	Black		

D000406-001

Tool Set

A-1





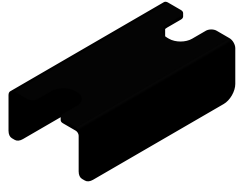
D000548-001

Y-Drive Tool

A-3



14



Astronaut A5

Tools

5.1X05.00XX-X

0003242094

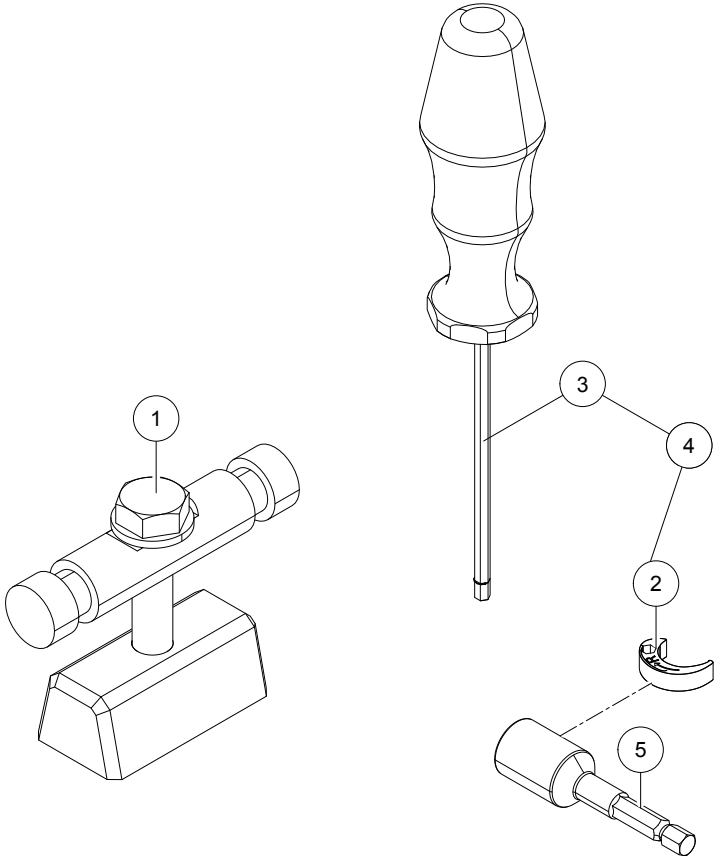
Ref.	Part No	Qty.	Description	Techn. info	Criticality	Remark
1	5.1004.7106.0	1	Tool			

D000548-001

Y-Drive Tool

A-3







Astronaut A5 Tools 5.1X05.00XX-X 0003242094

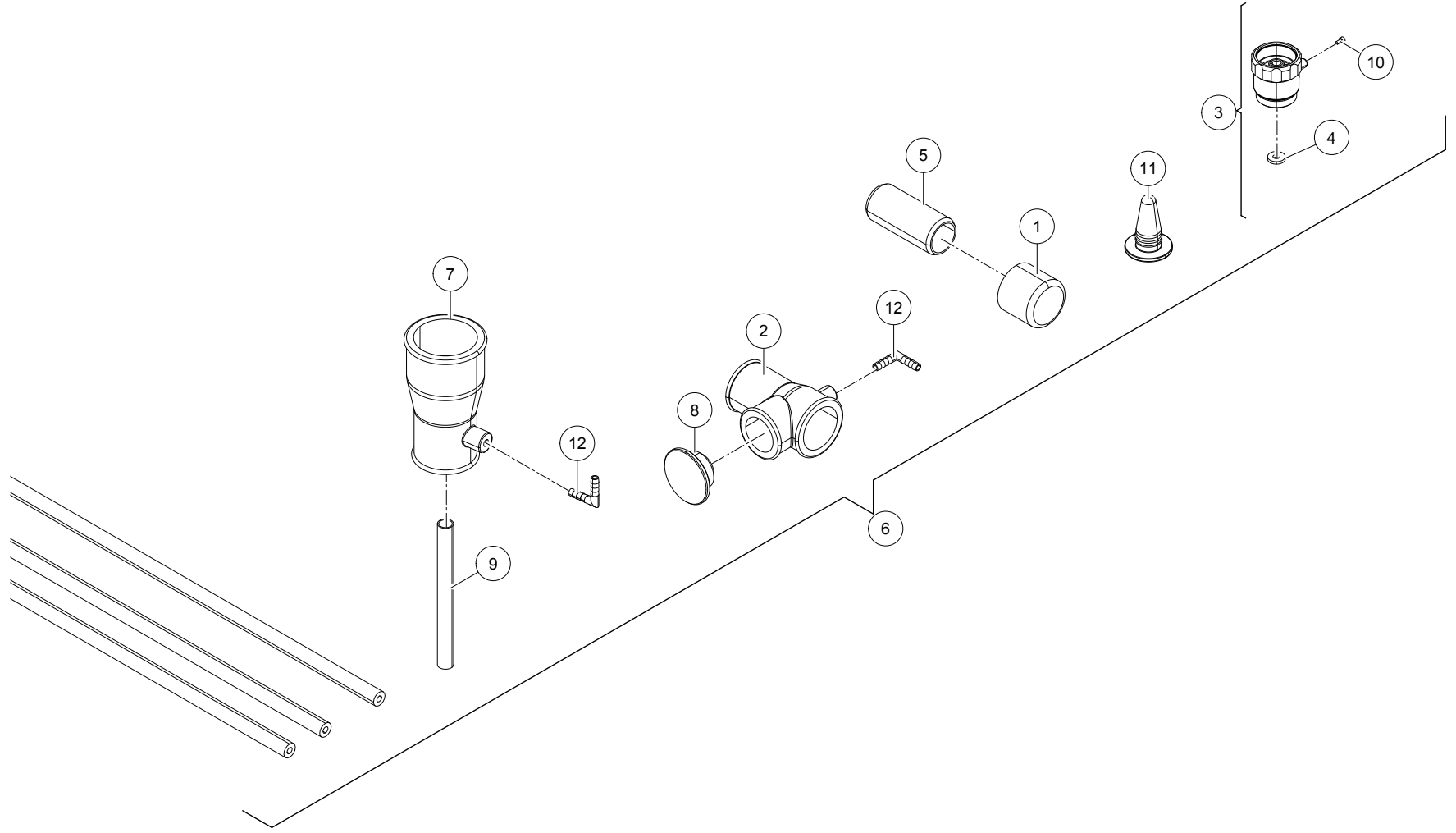
Ref.	Part No	Qty.	Description	Techn. info	Criticality	Remark
1	5.9000.1143.0	1	Tool overload system			
2	5.9000.1146.0	1	Tool			
3	5.9000.1147.0	1	Torque screwdriver			
4	5.9000.1148.0	1	Torque screwdriver+bit M12			
5	9.1074.0522.0	1	Tool	13 mm Socket Bit		

D000479-001

Tool Overload System/Torque Screwdriver+bit

A-4







Ref.	Part No	Qty.	Description	Techn. info	Criticality	Remark
1	5.1004.0970.0	2	Locking cap			
2	5.1004.6684.0	1	T-coupling	Vacuum Measurements		
3	5.1004.6752.0	2	Coupling piece	Pulsation measurement		
4	5.1004.6933.0	2	Gasket			
5	#####	2	Not separately			
6	5.1005.3343.0	1	Set	Vacuum and Pulsation tests		
7	5.1005.3345.0	1	Connector	Flow Measurement Teat Cup		
8	5.1005.3346.0	1	Plug			
9	5.1080.0373.0	1	Tube			
10	9.1057.0163.1	4	S.h. bolt	M3x6 DIN912-A2 s/s		
11	9.1185.0178.0	8	Teat liner stop ISO			
12	9.2018.0074.6	2	Elbow 8mm PA 2x hose socket			

Lely Industries N.V.

Cornelis van der Lelylaan 1

NL-3147 PB Maassluis

Tel +31 (0)88 - 12 28 221

Fax +31 (0)88 - 12 28 222

