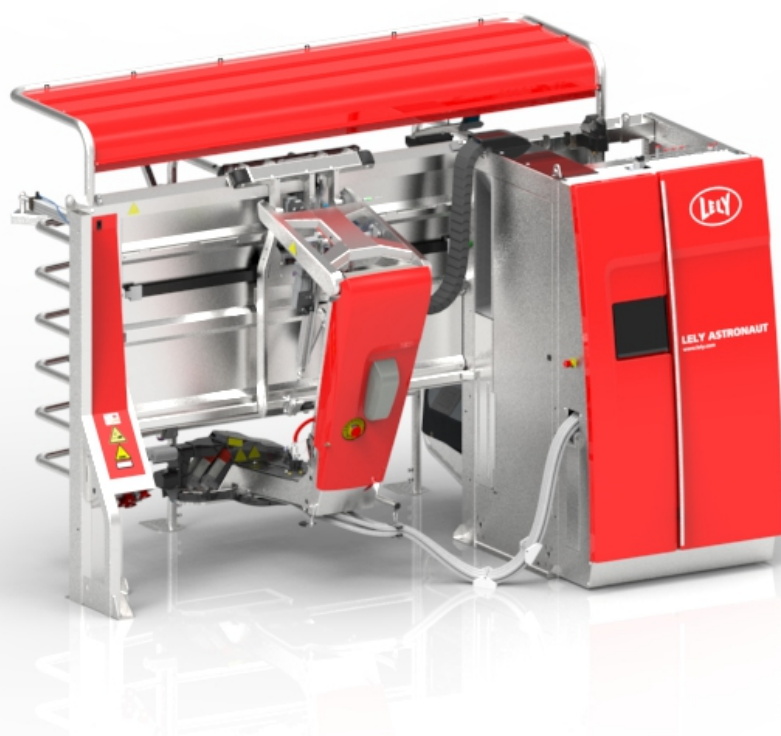


Lely Astronaut

MQC-C



Parts list

5.1005.8570.0 C

English Original





INTENTIONALLY BLANK

Preface

Applicability

Type number:	As from serial number:
5.1003.2480.0	
5.1003.2490.0	
5.1104.2460.0	0003166452
5.1005.1168.0	0003242094

Spare Parts

When ordering spare parts it is important that you are aware of the type and serial number of your machine. Use only genuine LELY parts.

Criticality

Criticality = Bulk, 0, 1, 2

- Bulk = Bulk item.
- 0 = Not critical.
- 1 = Not very critical.
- 2 = Critical.

Explanation of Signs Used in the Parts List

[R] / [RH]	By RH or LH version the position of the part is meant, seen from the rear of the machine.
[L] / [LH]	
[~]	E.g.: LH version is not similar to the RH version, which is actually shown.
[#]	Not available seperately.



INTENTIONALLY BLANK

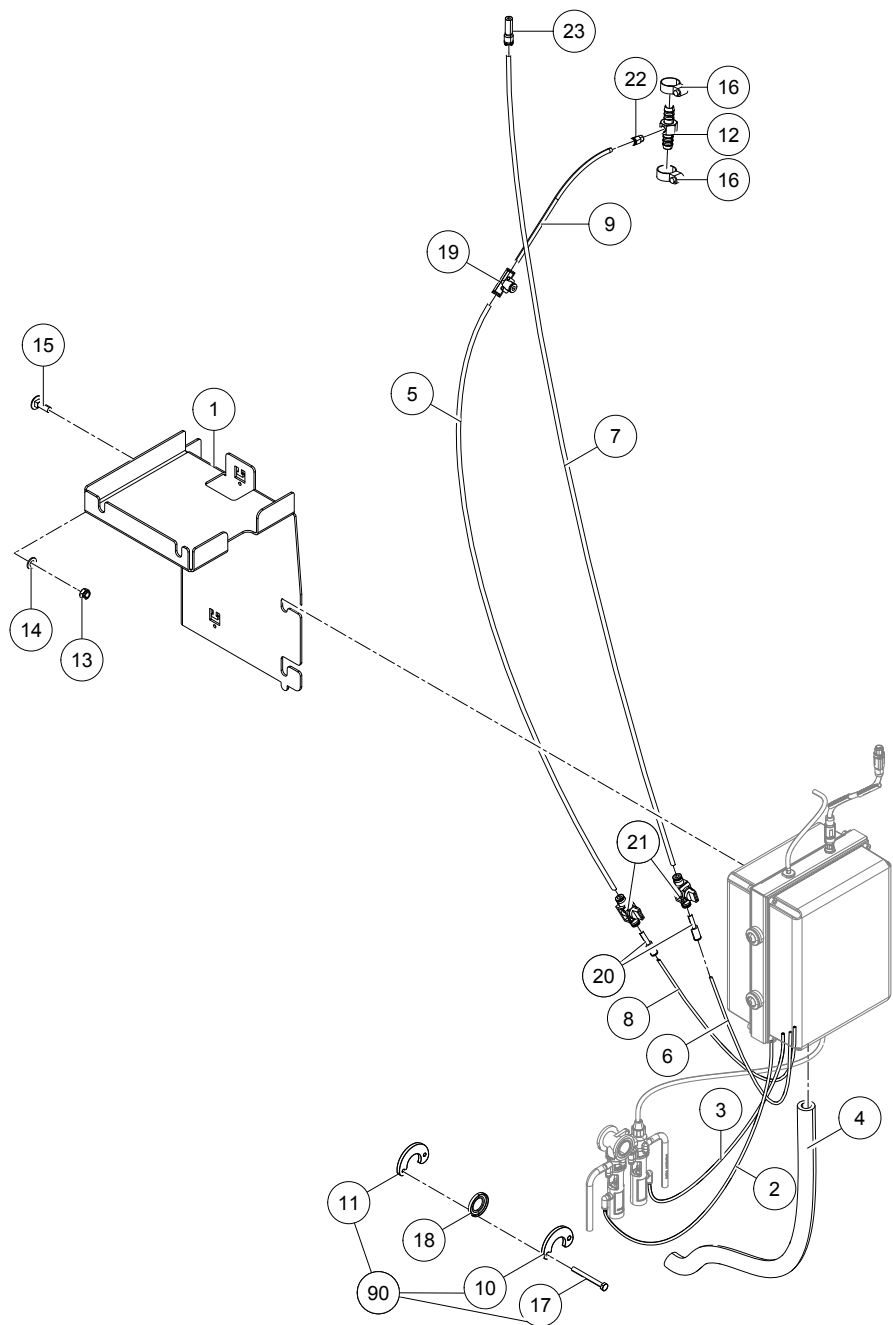


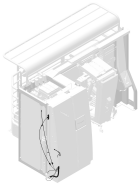
Table of Contents

A	MQC-C2 (optional)	7
A-1	Installation Materials	7
A-2	Milk Line Valves Block	9
A-3	Milk Line Valves Block (USA)	11
A-4	Reagent Container	13
A-5	Processor	15
A-6	CAN-bus Cable (A4)	19
A-7	CAN-bus Cable (A5)	21
A-8	Valves Manifold	23
A-9	Reagent/Waste Valve	25
A-10	Test Cell	27
A-11	Peristaltic Pump	29
B	MQC-C2 Rebuilt Kit	31
B-1	Rebuilt Kit (A3)	31
B-2	Rebuilt Kit (A3 next)	35



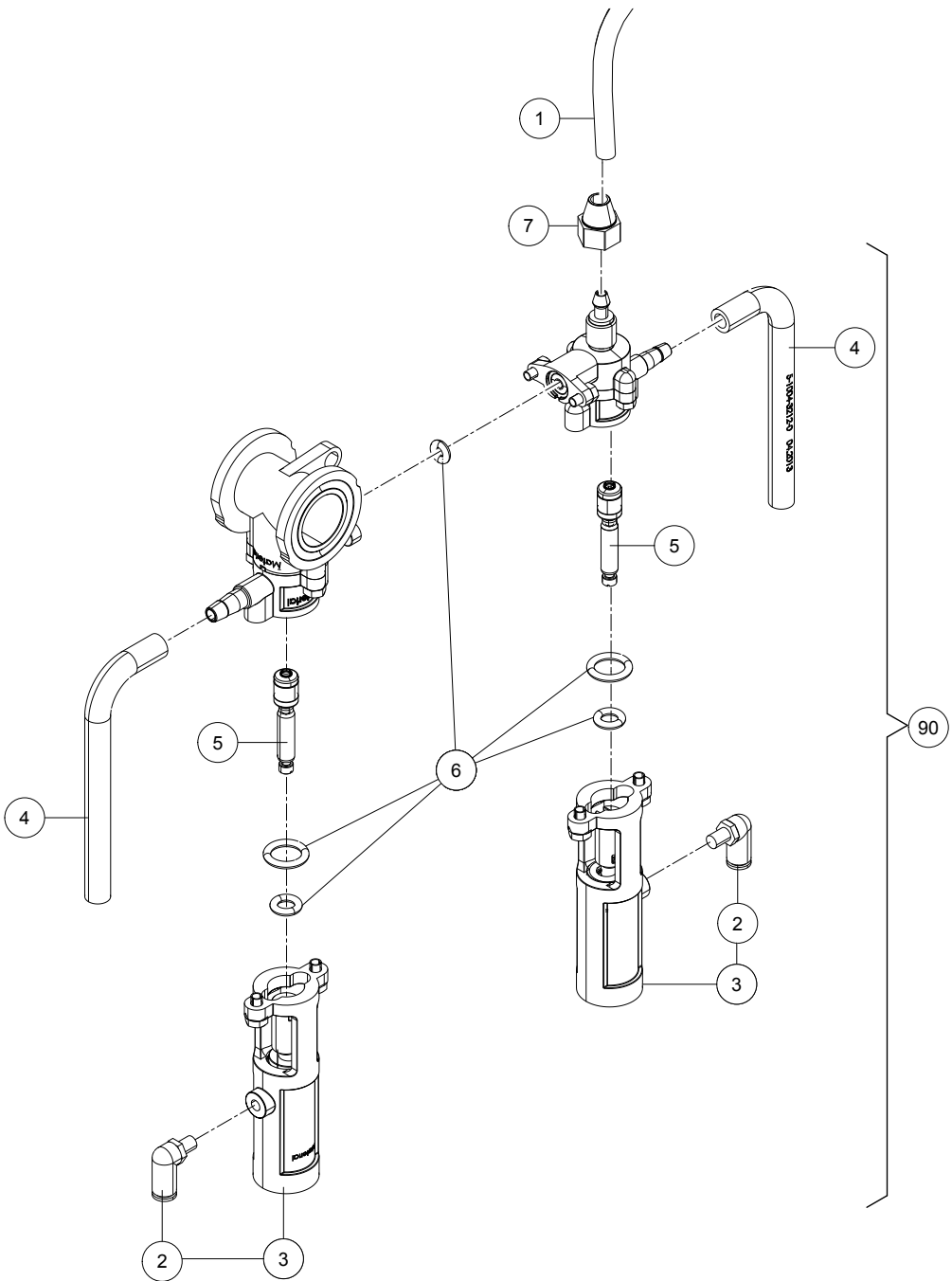
INTENTIONALLY BLANK

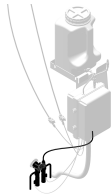




Lely Astronaut A4 MQC-C Type 2 5.1104.2460.0 0003166452
 Lely Astronaut A5 MQC-C2 5.1005.1168.0 0003242094

Ref.	Part No	Qty.	Description	Techn. info	Criticality	Remark
1	5.1004.2722.0	[R] 1	Plate			
	5.1104.2722.0	[L] ~	Plate			
2	#####	1	Not separately			
3	#####	1	Not separately			
4	#####	1	Not separately			
5	#####	1	Not separately			
6	#####	1	Not separately			
7	#####	1	Not separately			
8	#####	1	Not separately			
9	9.1138.0064.5	1	Tube	6mm PUN-H BLUE L=0.100m	Bulk	
10	#####	1	Not separately			
11	5.1004.3134.0	1	Clamp			
12	5.1004.6236.0	1	Coupling	13mm - 1/8" - 13mm		
13	9.1030.0020.4	1	Nut	M8 DIN985 A2-2 s/s	Bulk	
14	9.1048.0050.2	1	Washer	A8,4 DIN125-A2 s/s	Bulk	
15	9.1058.0053.2	1	Coach bolt	M8x25 DIN603 s/s		
16	9.1066.0020.3	2	Hose clamp	ø15-ø24 s/s	Bulk	
17	9.1113.0354.2	2	Bolt	M6x60 DIN931-A2-2 s/s	Bulk	
18	9.1130.0028.3	1	Tri clamp		Bulk	
19	9.1138.0053.1	1	Plug-in coupling	6-6-6mm (T)		
20	9.1138.0179.1	2	Adapter coupling	4-6mm	Bulk	
21	9.1138.0399.0	2	Valve		Bulk	
22	9.1138.0923.0	1	Coupling straight	1/8"x6		
23	9.1138.0979.0	1	Coupling			
90	5.1004.3222.0	1	Connector		1	





Lely Astronaut A4	MQC-C Type 2	5.1104.2460.0	0003166452
Lely Astronaut A5	MQC-C2	5.1005.1168.0	0003242094

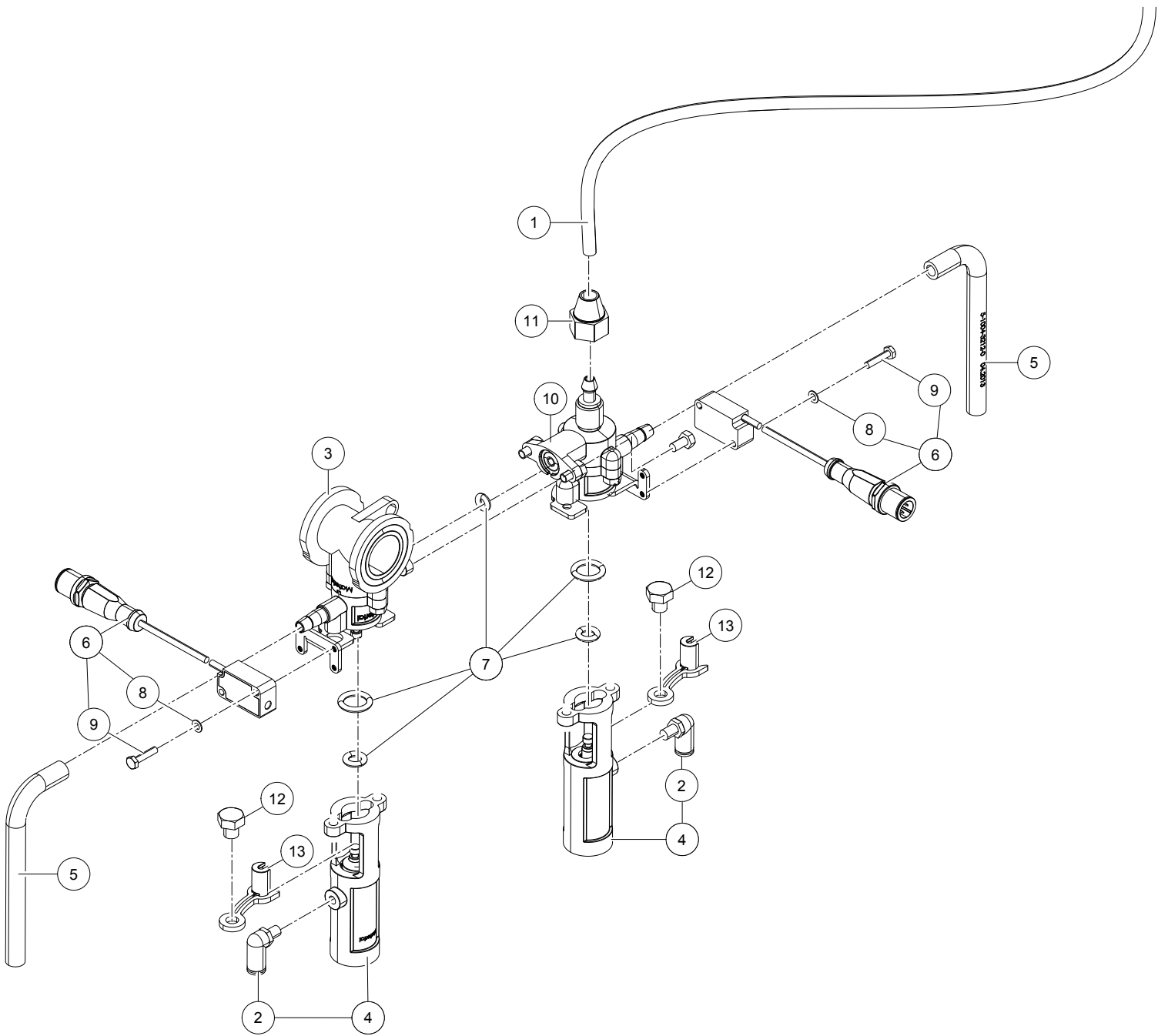
Ref.	Part No	Qty.	Description	Techn. info	Criticality	Remark
1	#####	1	Not separately			
2	9.1138.0037.6	1	Plug-in coupling			
3	5.1004.3201.0	2	Valve			
4	5.1004.3212.0	1	Tube			
5	5.1004.3216.0	1	Rod			
6	5.1004.6519.0	1	Kit	O-ringen BBB MQC-C2		
7	9.1138.0037.6	2	Plug-in coupling	M5x4mm (└)		
90	5.1004.3200.0	1	Valve			

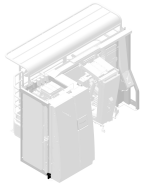
D000381-002

Milk Line Valves Block

A-3



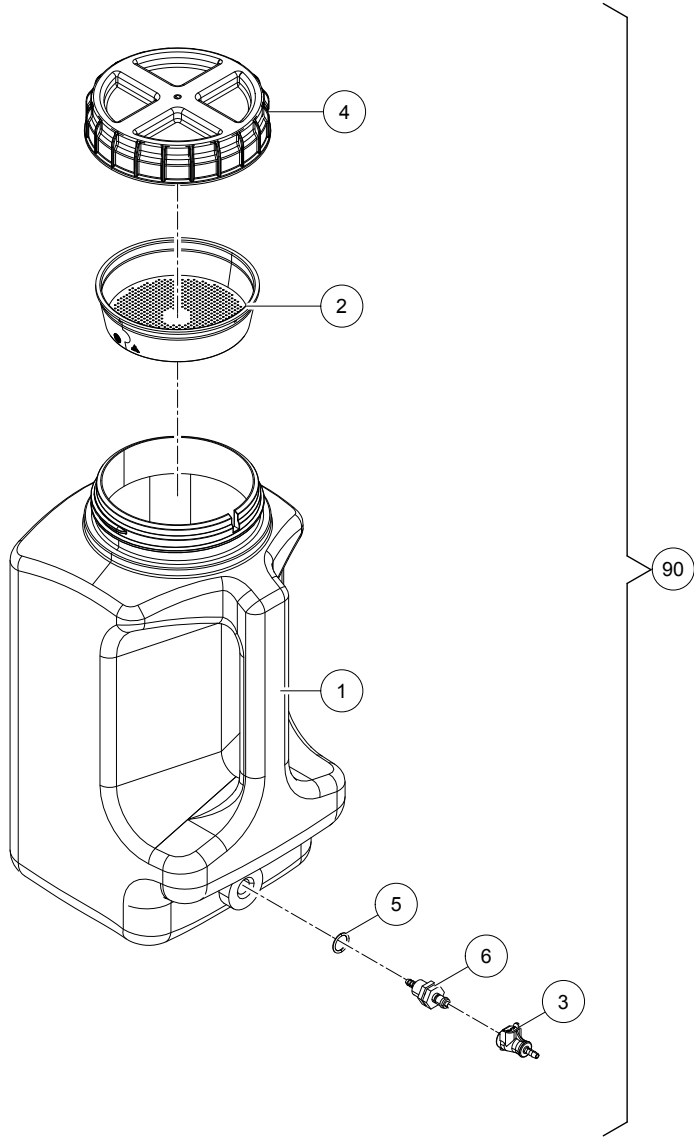




Lely Astronaut A4 MQC-C Type 2 5.1104.2460.0 0003166452
 Lely Astronaut A5 MQC-C 2 5.1005.1168.0 0003242094

Ref.	Part No	Qty.	Description	Techn. info	Criticality	Remark
1	#####	1	Not separately			
2	9.1138.0037.6	4	Plug-in coupling	M5x4mm (┘)	Bulk	
3	#####	1	Not separately			
4	5.1004.3201.0	2	valve			
5	5.1004.3212.0	2	Tube		1	
6	5.1004.3255.0	1	Kit spp valve guard sensor			
7	5.1004.6519.0	1	Kit	O-ringen BBB MQC-C2		
8	9.1049.0076.0	2	Spring washer	WAVE, 3 DIN137A S/S A2 (3.2 x 6 x 0.4)		
9	#####	2	Not separately			
10	#####	1	Not separately			
11	5.1004.3099.0	1	Milk Outlet Fitting Nut			
12	#####	1	Not separately			
13	#####	1	Not separately			







Lely Astronaut A4 MQC-C Type 2 5.1104.2460.0 0003166452
 Lely Astronaut A5 MQC-C2 5.1005.1168.0 0003242094

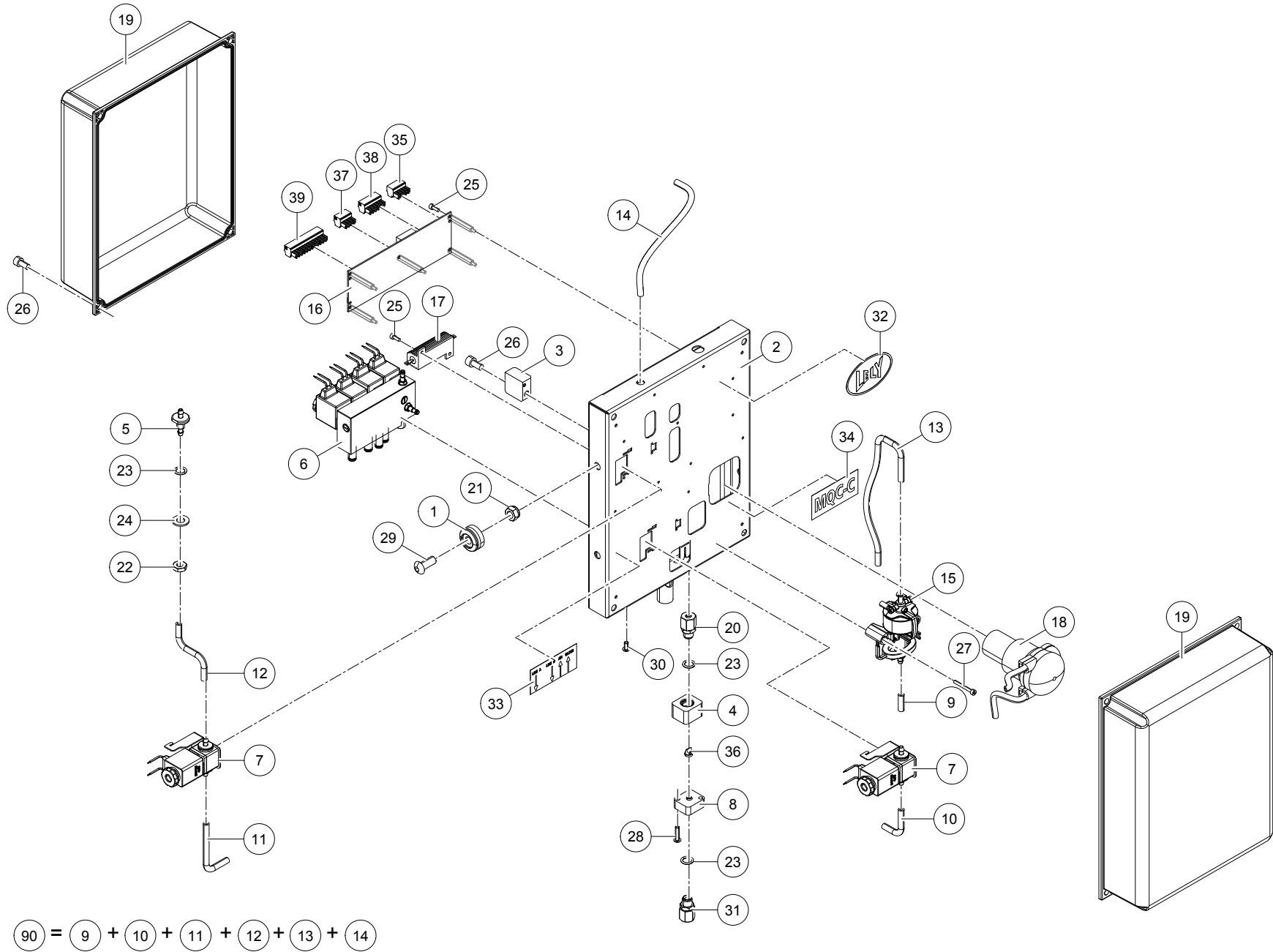
Ref.	Part No	Qty.	Description	Techn. info	Criticality	Remark
1	#####	1	Not separately			
2	5.1004.2915.0	1	Filter			
3	9.1138.0964.0	1	Coupling			
4	5.1004.2919.0	1	Deksel			
5	9.1043.0202.0	1	O-ring	12.4 x 1.78		
6	9.1138.0279.2	1	Plug-in coupling			
90	5.1004.2916.0	1	Canister			

D000381-003

Reagent Container

A-5





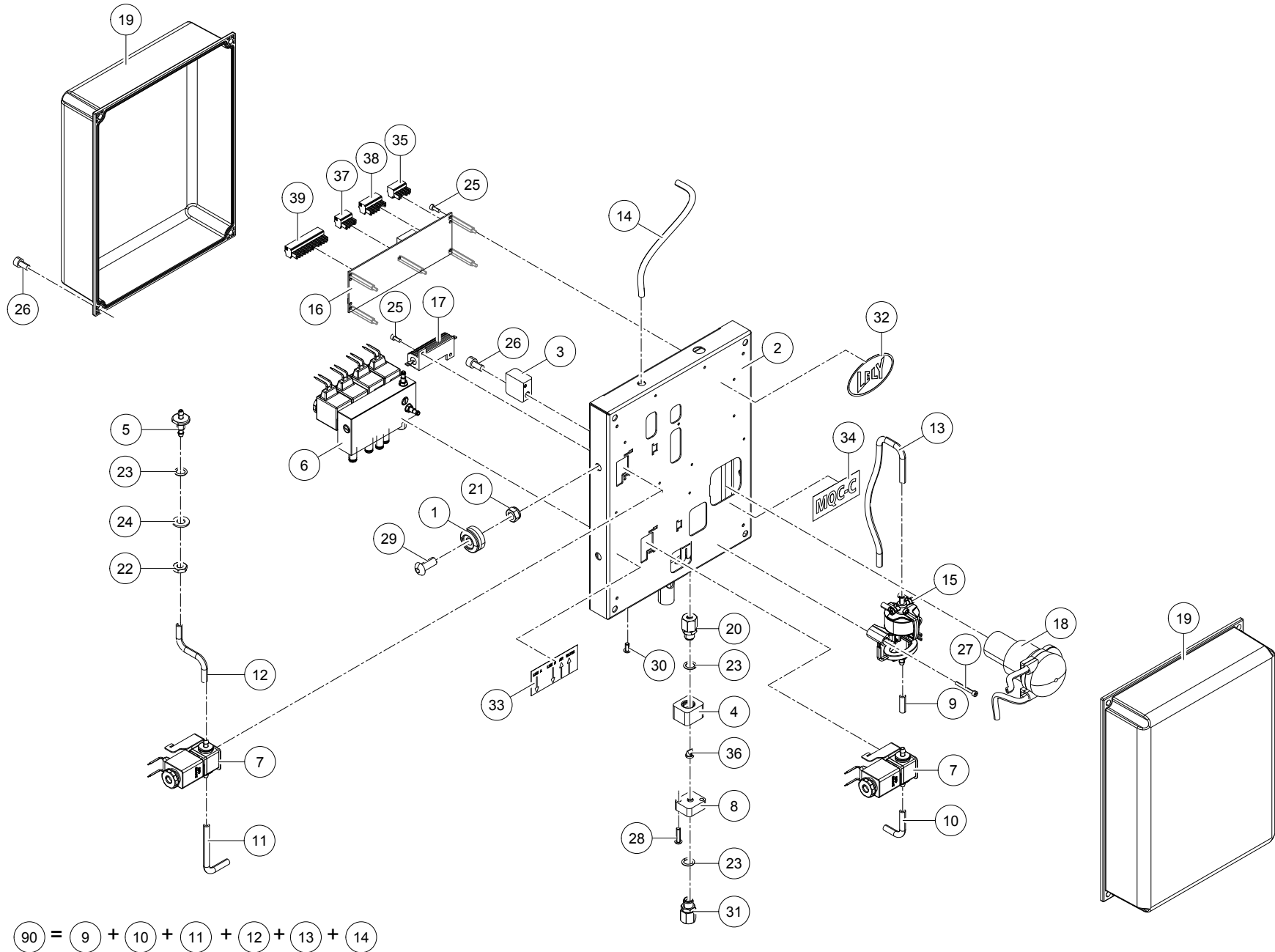


Lely Astronaut A4 MQC-C Type 2 5.1104.2460.0 0003166452
 Lely Astronaut A5 MQC-C2 5.1005.1168.0 0003242094

Ref.	Part No	Qty.	Description	Techn. info	Criticality	Remark
1	#####	4	Not separately			
2	#####	1	Not separately			
3	#####	4	Not separately			
4	5.1004.2619.0	1	Nipple			
5	#####	1	Not separately			
6	5.1004.2715.0	1	Manifold		1	(see page 23)
7	#####	2	Not separately			(see page 25)
8	5.1004.2717.0	1	Nipple			
9	#####	1	Not separately			
10	#####	1	Not separately			
11	#####	1	Not separately			
12	#####	1	Not separately			
13	#####	1	Not separately			
14	#####	1	Not separately			
15	5.1004.2889.0	1	Cell		1	(see page 27)
16	5.1004.3169.0	1	Pcb	GEV9020		
17	5.1004.5017.0	1	Heater			
18	5.1004.5018.0	1	Pump		1	(see page 29)
19	5.1004.5218.0	2	Lid	Incl. seal	1	
20	9.1189.0216.0	1	Connector			
21	9.1030.0020.4	4	Nut	M8 DIN985 A2-2 s/s	Bulk	
22	9.1034.0011.5	1	Nut	M8x1,25 DIN439 s/s		
23	9.1043.0170.1	3	O-ring	9,0x2,0 NBR	1	
24	9.1048.0050.2	1	Washer	A8,4 DIN125-A2 s/s	Bulk	
25	9.1057.0065.1	15	S.h. bolt	M3x8 DIN912-A2 s/s	Bulk	
26	9.1057.0067.3	8	S.h. bolt	M6x12 DIN912-A2 s/s	Bulk	
27	9.1057.0075.4	2	S.h. bolt	M3x25 DIN912-A2 s/s		
28	9.1057.0423.2	2	Screw	M4x16 ISO7380-A2 s/s	Bulk	
29	9.1057.0439.0	4	Screw	M8x20 ISO7380-A2-70 s/s		
30	9.1057.0457.0	2	Screw	M 4x8 A2-70		
31	9.1189.0216.0	2	Connector			
32	9.1170.0889.5	1	Decal	"Lely 3d logo 65mm"		
33	9.1170.0999.0	1	Decal	MQC-C 2		
34	#####	1	Not separately			
35	9.1186.0679.0	1	Connector			
36	9.1189.0215.0	1	Connector			

CONTINUED







Lely Astronaut A4 MQC-C Type 2 5.1104.2460.0 0003166452
 Lely Astronaut A5 MQC-C2 5.1005.1168.0 0003242094

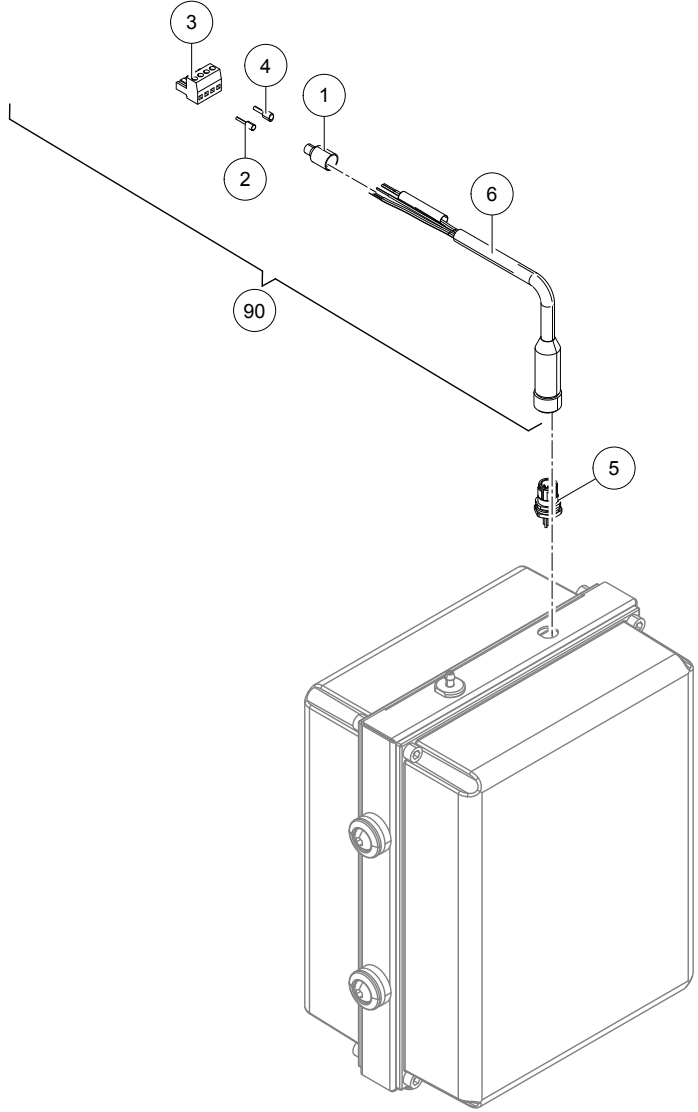
Ref.	Part No	Qty.	Description	Techn. info	Criticality	Remark
37	9.1186.0792.0	1	Connector			
38	9.1186.0793.0	1	Connector			
39	9.1186.0795.0	1	Connector			
90	9.1065.0112.0	1	Hose	6x3mm Silicon transparent	1	

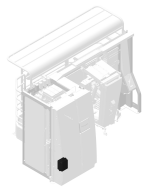
D000654-002

PROCESSOR

A-5







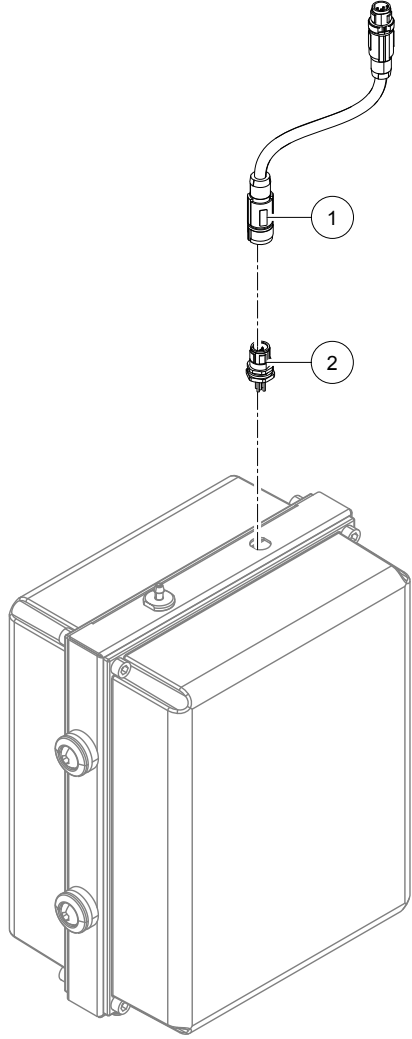
Ref.	Part No	Qty.	Description	Techn. info	Criticality	Remark
1	9.1073.0073.0	1	Heat-shrink tubing	9.5mm black HSB		
2	9.1186.0018.0	3	Cable	4x0,75mm2 100m		
3	9.1186.0213.6	1	Connector	Phoenix (Female)	Bulk	
4	9.1186.0467.1	1	Cable core	2x0.75mm2		
5	9.1186.0687.0	1	Connector			
6	#####	1	Not separately			
90	5.1004.2971.0	1	Cable		2	

D000654-003

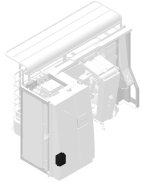
CAN-bus Cable (A4)

A-6





22



Lely Astronaut A5 MQC-C2 5.1005.1168.0 0003242094

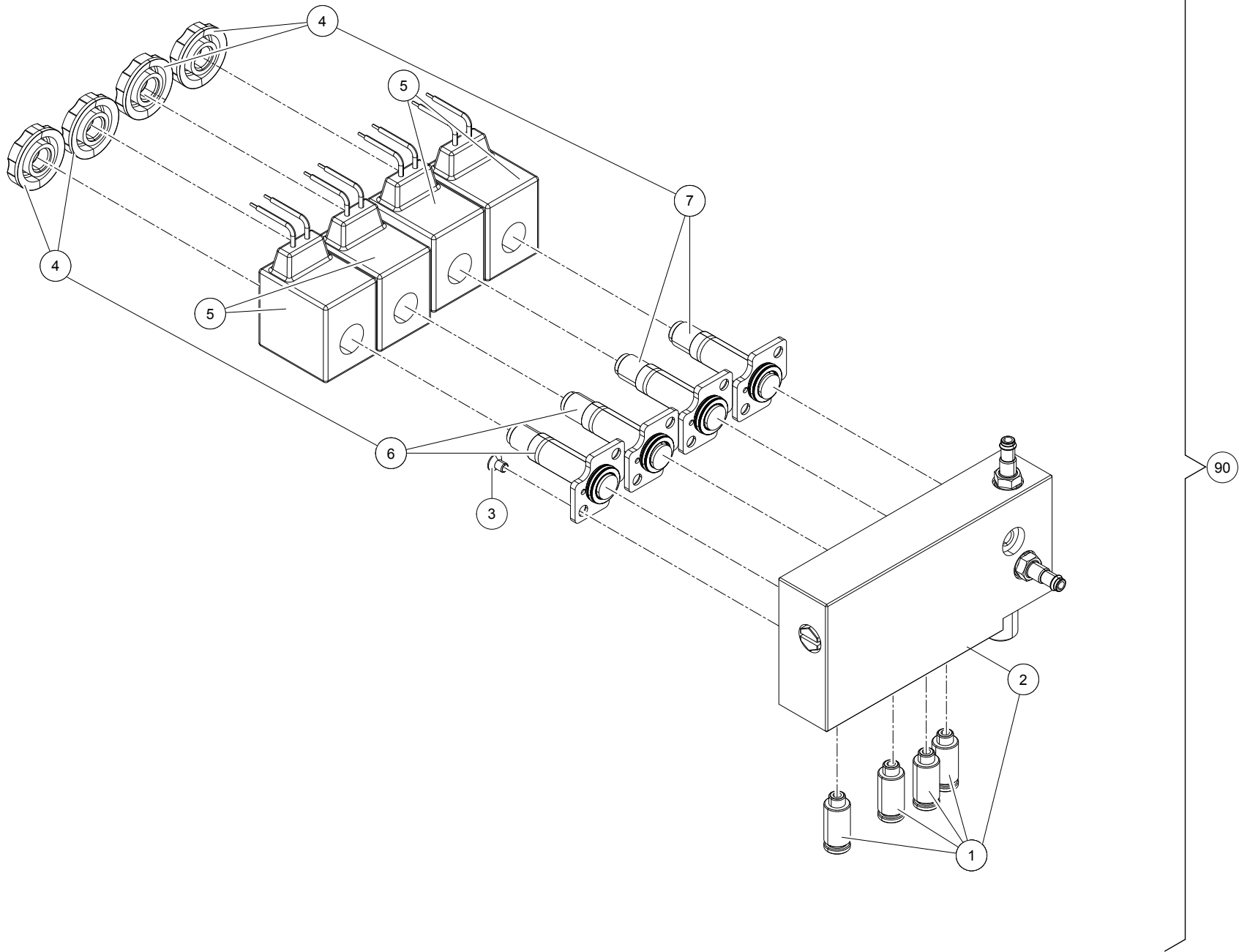
Ref.	Part No	Qty.	Description	Techn. info	Criticality	Remark
1	6.2001.1017.0	1	Cable			
2	9.1186.0687.0	1	Connector			

D000654-004

CAN-bus Cable (A5)

A-7



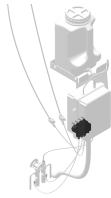


D000381-005

Valves Manifold

A-5





Lely Astronaut A4 MQC-C Type 2 5.1104.2460.0 0003166452
 Lely Astronaut A5 MQC-C2 5.1005.1168.0 0003242094

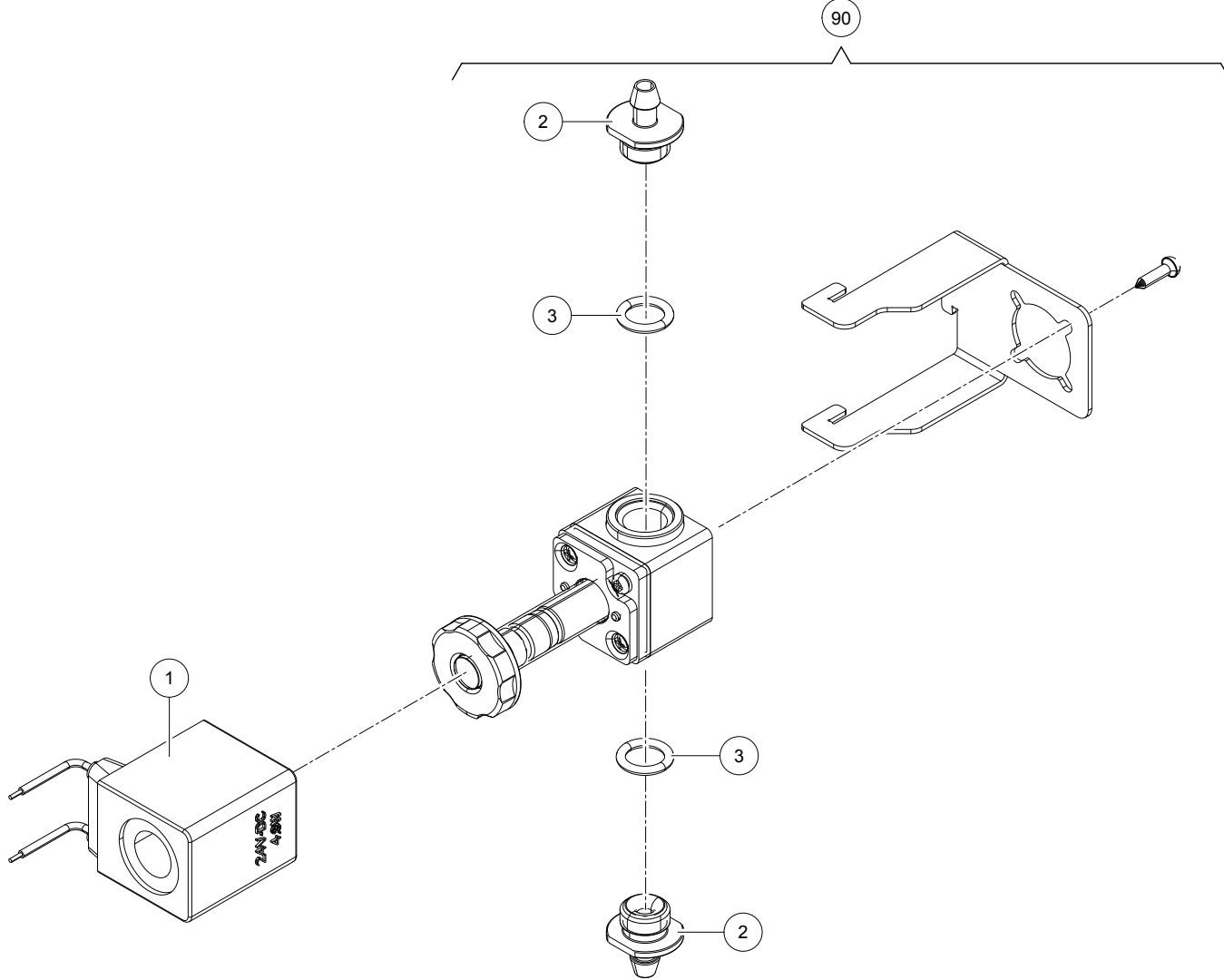
Ref.	Part No	Qty.	Description	Techn. info	Criticality	Remark
1	5.1004.2592.0	2	Nipple			
2	5.1004.3252.0	1	Manifold			
3	9.1060.0042.3	8	Screw	M3x3 DIN965		
4	9.1138.0811.1	4	Castellated nut			
5	9.1138.0940.0	4	Coil	L=225		
6	9.1138.0972.0	2	Operator	2-3-2018		
7	9.1138.0973.0	2	Operator	2-2-2018		
90	5.1004.2715.0	1				

D000381-005

Valves Manifold

A-5







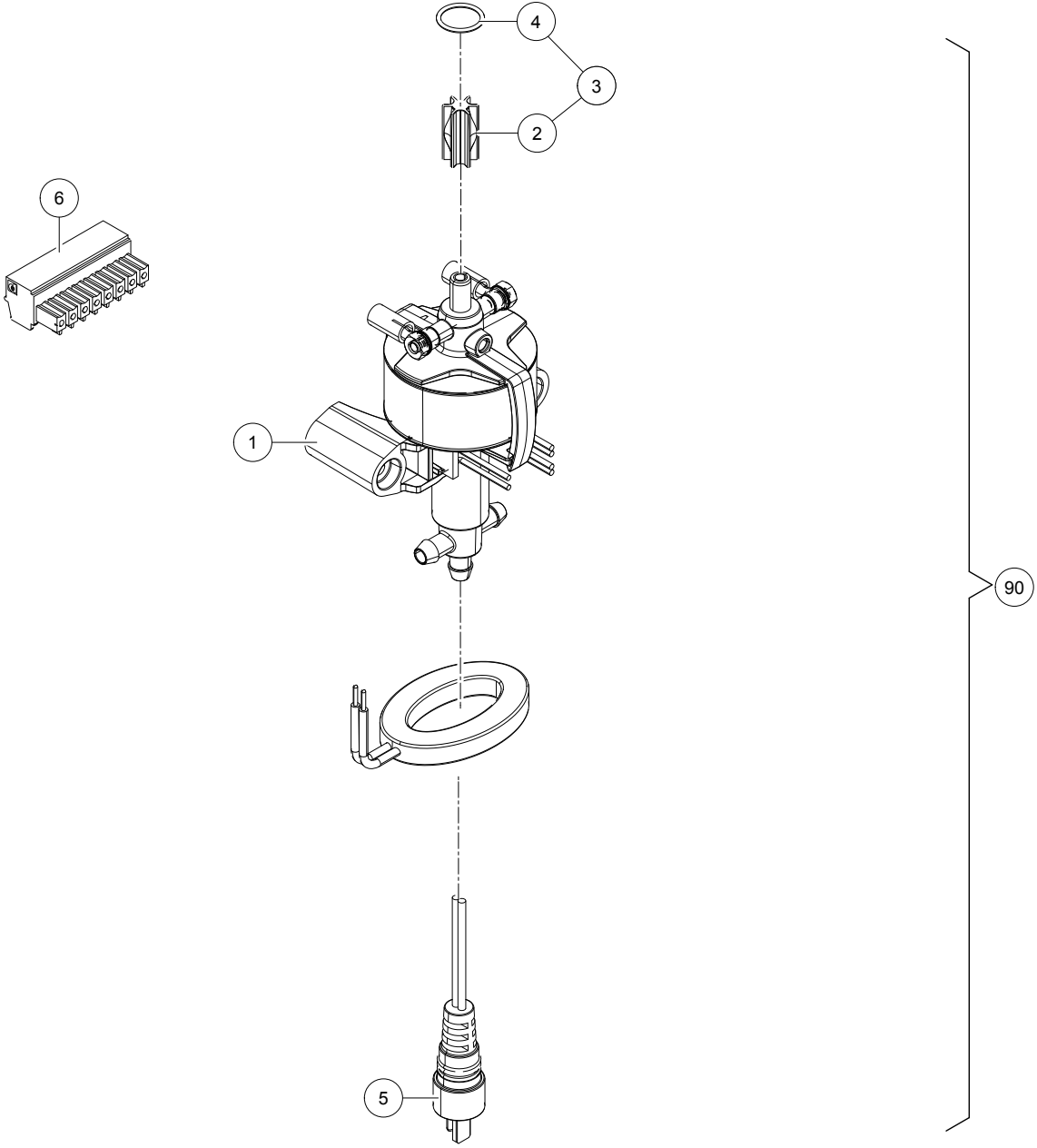
Lely Astronaut A4 MQC-C Type 2 5.1104.2460.0 0003166452
 Lely Astronaut A5 MQC-C2 5.1005.1168.0 0003242094

Ref.	Part No	Qty.	Description	Techn. info	Criticality	Remark
1	9.1138.1094.0	1	Coil	4.8WCABLE LENGTH:225		
2	5.1004.2617.0	2	Nipple			
3	9.1043.0136.2	2	O-ring	7,65x 1,78 Viton	Bulk	
90	5.1004.2614.0	1	Media separated valve		1	

D000381-006

Reagent/Waste Valve

A-9

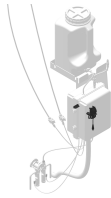


D000381-007

Test Cell

A-11





Lely Astronaut A4 MQC-C Type 2 5.1104.2460.0 0003166452
 Lely Astronaut A5 MQC-C2 5.1005.1168.0 0003242094

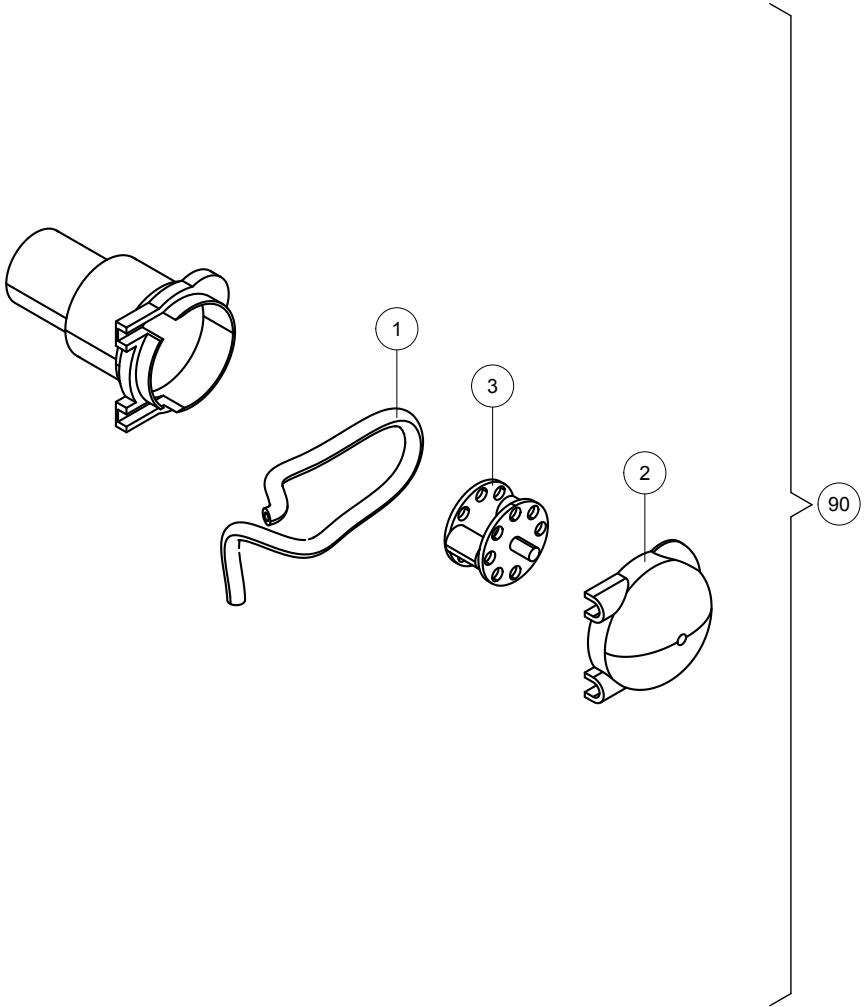
Ref.	Part No	Qty.	Description	Techn. info	Criticality	Remark
1	#####	1	Not separately			
2	#####	1	Not separately			
3	5.1004.7321.0	1	Magnet			
4	#####	1	Not separately	9 x 1 NBR 70° SHORE		
5	9.1183.0076.0	1	Sensor			
6	9.1186.0794.0	1	Connector			
90	5.1004.2889.0	1	Cell		1	

D000381-007

Test Cell

A-11





D000381-008

Peristaltic Pump

A-10





Lely Astronaut A4 MQC-C Type 2 5.1104.2460.0 0003166452
 Lely Astronaut A5 MQC-C2 5.1005.1168.0 0003242094

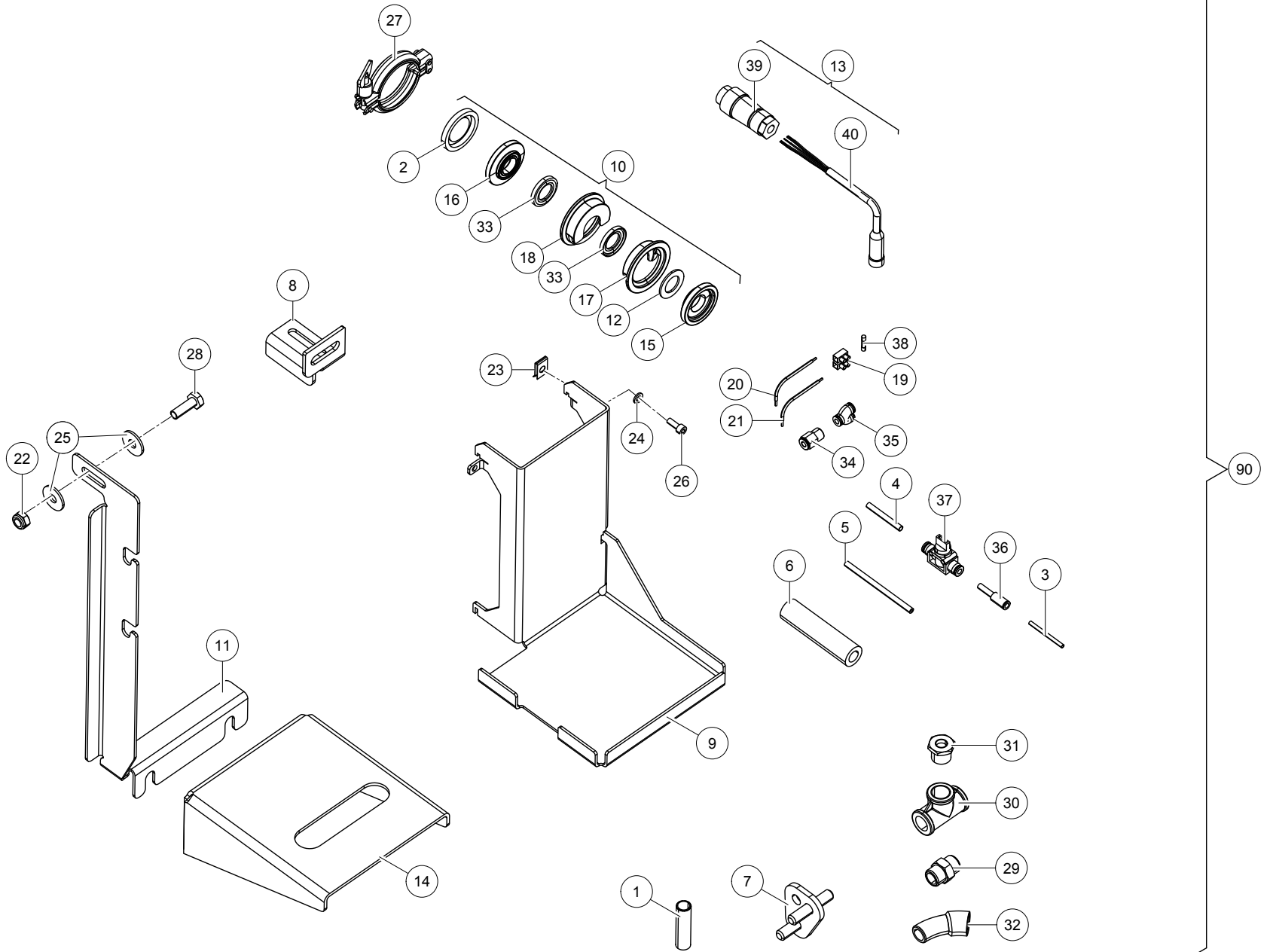
Ref.	Part No	Qty.	Description	Techn. info	Criticality	Remark
1	5.1004.6062.0	1	Tube		1	
2	9.1189.0221.0	1	Cover			
3	9.1189.0225.0	1	Rotor			
90	5.1004.5018.0	1	Pump		1	

D000381-008

Peristaltic Pump

A-10





D000335-001

Rebuilt Kit (A3)

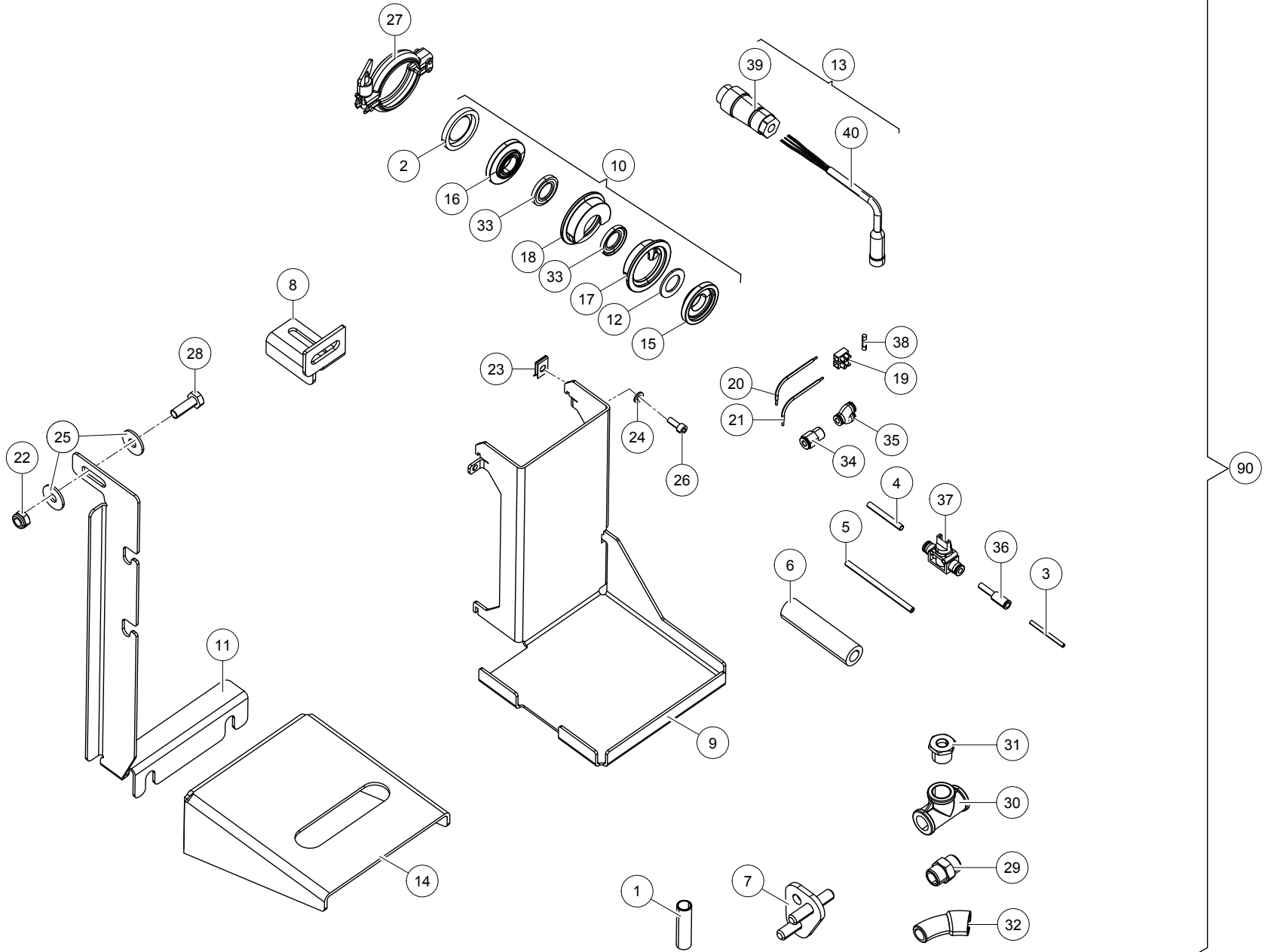
B-1





Ref.	Part No	Qty.	Description	Techn. info	Criticality	Remark
1	5.1001.6659.0	4	Coupling piece			
2	5.1003.0752.0	1	Non-return valve			
3	5.1003.2411.0	1	Tube	OD 4mm		
4	5.1003.2412.0	1	Tube	OD 6mm		
5	5.1003.2414.0	1	Hose	MQC-C2 agent		
6	#####	1	Not separately			
7	#####	2	Not separately			
8	#####	1	Not separately			
9	5.1003.2471.0	1	Bracket	FOR MQC-C2 CANISTER for A3		
10	5.1003.2474.0	1	Kit			
11	5.1003.2477.0	1	Bracket			
12	5.1003.2482.0	1	Gasket	milk pump to sampler valve		
13	5.1003.2486.0	1	Cable	MQC-C2 A3(N) CAN cable		
14	5.1003.2487.0	1	Bracket	Milkpump support		
15	5.1003.2494.0	1	Adapter	sampler to milk valves		
16	5.1003.2495.0	1	Adapter	Sampler to milk valves		
17	5.1003.2496.0	1	Coupling	for sampler valve - pump side		
18	5.1003.2497.0	1	Coupling	for sampler valve - milk valve side		
19	#####	1	Not separately			
20	#####	1	Not separately			
21	#####	1	Not separately			
22	9.1030.0022.6	1	Nut	M10 DIN985 A2-2 s/s		
23	9.1036.0039.3	1	Speed nut	M6 s/s		
24	9.1048.0090.0	2	Washer	A6,4 DIN125-A2 s/s		
25	9.1048.0104.0	2	Washer	A10,5 DIN9021-A2 s/s		
26	9.1057.0060.3	2	S.h. bolt	M6x16 DIN912-A2 s/s		
27	9.1066.0041.3	1	Tri clamp	2"		
28	9.1113.0321.4	1	Bolt	M10x30 DIN933-A2-2 s/s		
29	9.1129.0022.5	1	Doubler nipple	1/2" DIN2990		
30	9.1129.0023.6	1	T-piece	1/2" DIN2987		
31	9.1129.0029.5	1	Red. nipple	1/2"x1/4"		
32	9.1129.0201.0	1	Knee			
33	9.1130.0028.3	2	Tri clamp			
34	9.1138.0043.5	1	Plug-in coupling	1/4"x6mm (I)		
35	9.1138.0099.5	2	Plug-in coupling	6-6-6mm (Y)		
36	9.1138.0179.1	2	Adapter coupling	4-6mm		

CONTINUED



D000335-001

Rebuilt Kit (A3)

B-1





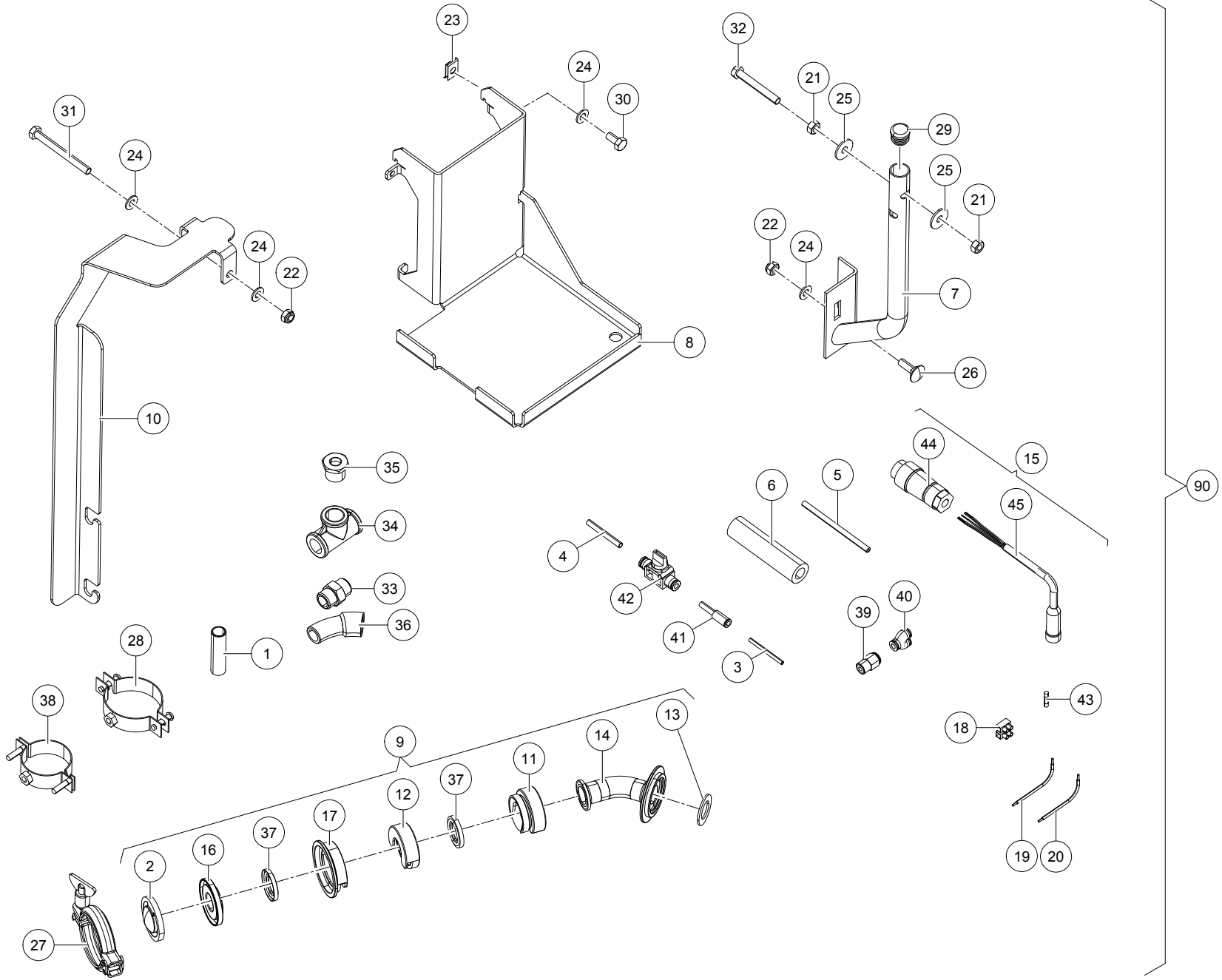
Ref.	Part No	Qty.	Description	Techn. info	Criticality	Remark
37	9.1138.0399.0	2	Valve			
38	9.1186.0354.0	3	Fuse	5A		
39	9.1186.0442.4	1	Connector			
40	#####	1	Not separately			
90	5.1003.2480.0	1	MQC-C2 Mounting Kit	for A3		

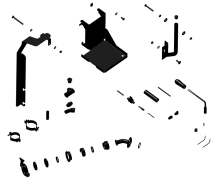
D000335-001

Rebuilt Kit (A3)

B-1



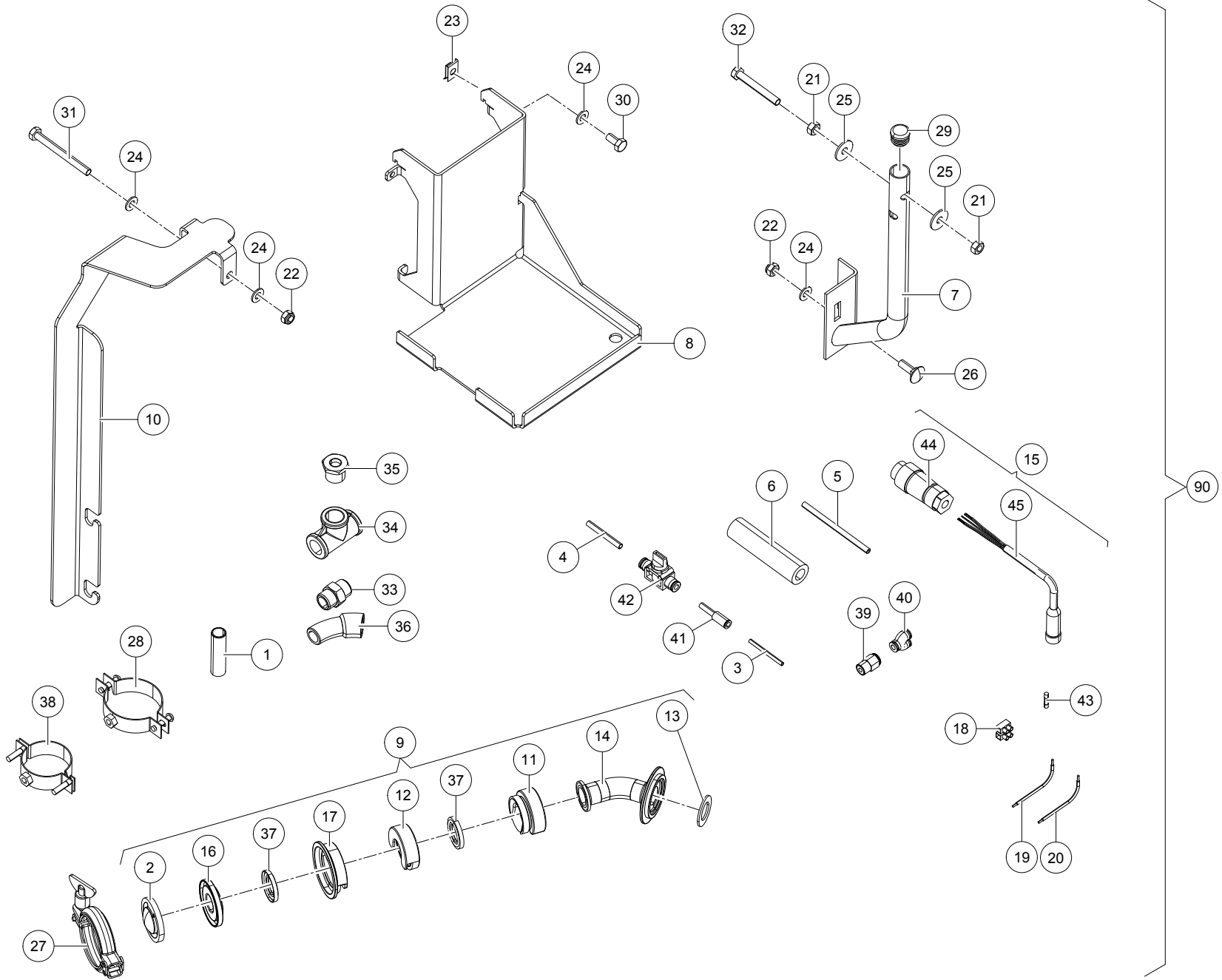


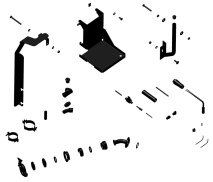


Lely Astronaut A3
Next MQC-C Type 2 5.1003.2490.0

Ref.	Part No	Qty.	Description	Techn. info	Criticality	Remark
1	5.1001.6659.0	4	Coupling piece			
2	5.1003.0752.0	1	Non-return valve			
3	5.1003.2411.0	1	Tube	OD 4mm		
4	5.1003.2412.0	1	Tube	OD 6mm		
5	5.1003.2414.0	1	Hose	MQC-C2 agent		
6	#####	1	Not separately			
7	5.1003.2467.0	1	Support			
8	5.1003.2473.0	1	Bracket	MQC-C2 Canister support A3Next		
9	5.1003.2475.0	1	Kit			
10	5.1003.2476.0	1	Bracket	FOR PROCESSOR MQC-C2 A3Next		
11	5.1003.2478.0	1	Coupling	Sampler valve		
12	5.1003.2479.0	1	Coupling	Sampler valve		
13	5.1003.2482.0	1	Gasket	milk pump to sampler valve		
14	5.1003.2483.0	1	Adapter			
15	5.1003.2486.0	1	Cable	MQC-C2 A3(N) CAN cable		
16	5.1003.2495.0	1	Adapter	Sampler to milk valves		
17	5.1003.2497.0	1	Coupling	for sampler valve - milk valve side		
18	#####	1	Not separately			
19	#####	1	Not separately			
20	#####	1	Not separately			
21	9.1029.0029.0	4	Nut	M8 DIN934 A2-2 s/s		
22	9.1030.0020.4	2	Nut	M8 DIN985 A2-2 s/s		
23	9.1036.0039.3	2	Speed nut	M6 s/s		
24	9.1048.0050.2	5	Washer	A8,4 DIN125-A2 s/s		
25	9.1048.0052.4	4	Washer	A8,4 DIN9021-A2 s/s		
26	9.1058.0053.2	1	Coach bolt	M8x25 DIN603 s/s		
27	9.1066.0041.3	1	Tri clamp	2"		
28	9.1066.0098.0	2	Clamp	Pijpbeugel RVS M8 62-64mm		
29	9.1108.0133.5	1	Locking cap			
30	9.1113.0290.2	2	Bolt	M8x16 DIN933-A2-2 s/s		
31	9.1113.0347.2	1	Bolt	M8x80 DIN933-A2-2 s/s		
32	9.1113.0542.2	2	Bolt	M8x60 DIN933-A2 s/s		
33	9.1129.0022.5	1	Doubler nipple	1/2" DIN2990		
34	9.1129.0023.6	1	T-piece	1/2" DIN2987		
35	9.1129.0029.5	1	Red. nipple	1/2"x1/4"		
36	9.1129.0201.0	1	Knee			

CONTINUED





Lely Astronaut A3
Next MQC-C Type 2 5.1003.2490.0

Ref.	Part No	Qty.	Description	Techn. info	Criticality	Remark
37	9.1130.0028.3	2	Tri clamp			
38	9.1137.1012.0	2	Bracket			
39	9.1138.0043.5	1	Plug-in coupling	1/4"x6mm (I)		
40	9.1138.0099.5	2	Plug-in coupling	6-6-6mm (Y)		
41	9.1138.0179.1	2	Adapter coupling	4-6mm		
42	9.1138.0399.0	2	Valve			
43	9.1186.0354.0	3	Fuse	5A		
44	9.1186.0442.4	1	Connector			
45	#####	1	Not separately			
90	5.1003.2490.0	1	MQC-C2 Mounting Kit	for A3Next		

Lely Industries N.V.

Cornelis van der Lelylaan 1

NL-3147 PB Maassluis

Tel +31 (0)88 - 12 28 221

Fax +31 (0)88 - 12 28 222

