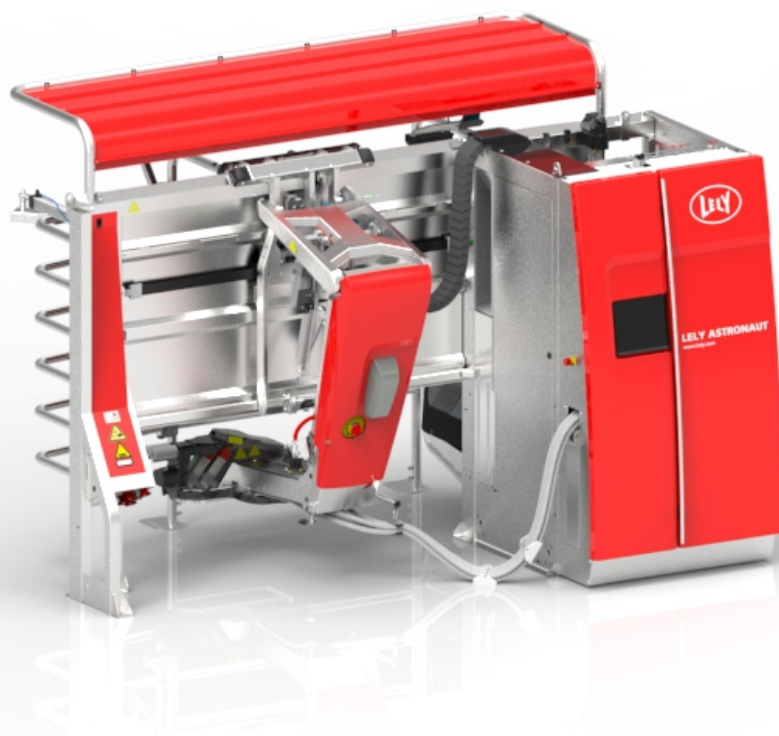


Lely Astronaut A5

Water Valves Block



Parts list

5.1005.8569.0 B

English Original





INTENTIONALLY BLANK

Preface

Applicability

Type number:	As from serial number:
5.1X05.00XX-X	0003242094

Spare Parts

When ordering spare parts it is important that you are aware of the type and serial number of your machine. Use only genuine LELY parts.

Criticality

Criticality = Bulk, 0, 1, 2

- Bulk = Bulk item.
- 0 = Not critical.
- 1 = Not very critical.
- 2 = Critical.

Explanation of Signs Used in the Parts List

[R] / [RH]	By RH or LH version the position of the part is meant, seen from the rear of the machine.
[L] / [LH]	
[~]	E.g.: LH version is not similar to the RH version, which is actually shown.
[#]	Not available seperately.



INTENTIONALLY BLANK

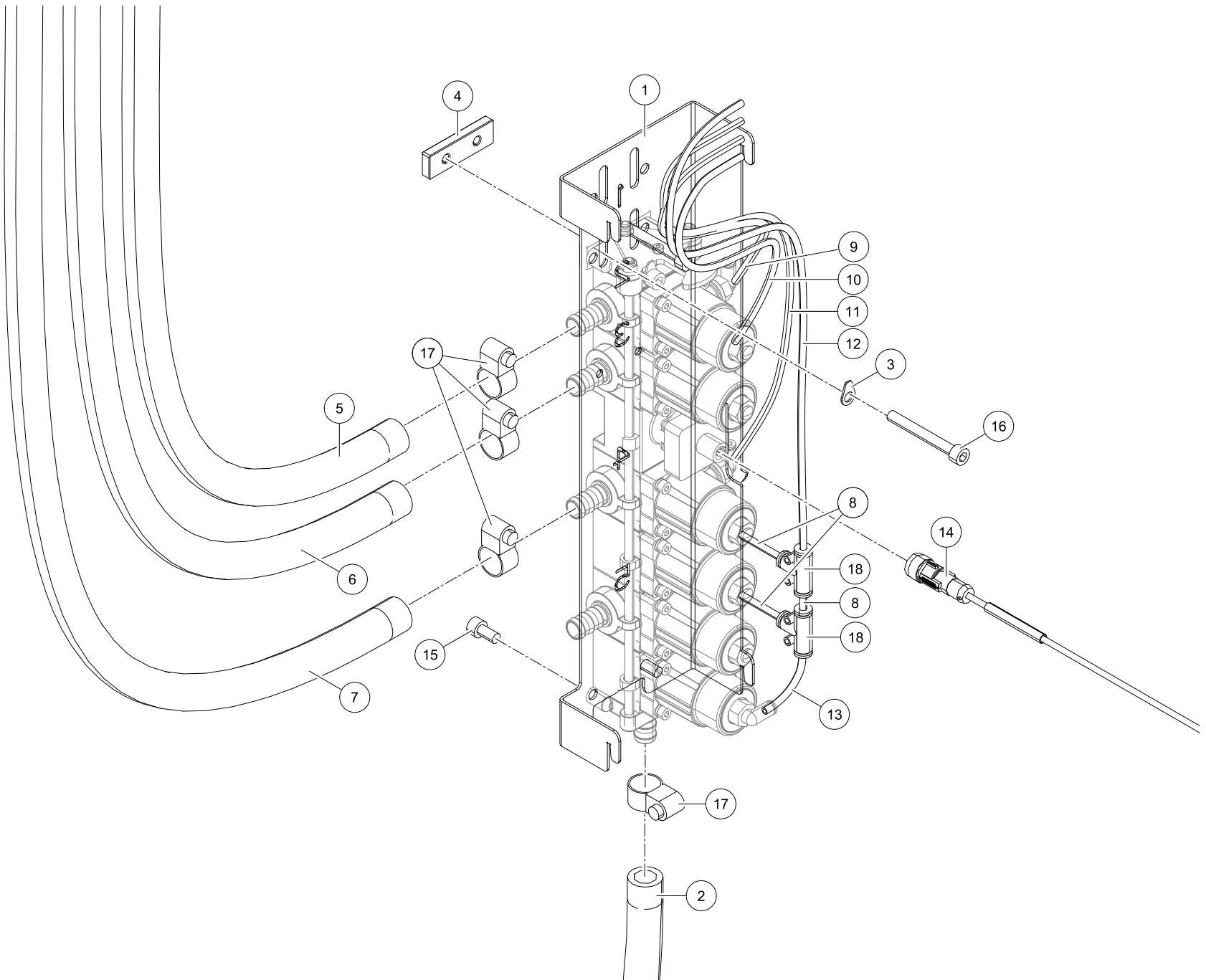


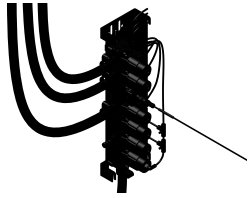
Table of Contents

A	Water Valve	7
A-1	Cables & Tubes	7
A-2	Valve Block	9
A-3	Valves	11
A-4	Actuator Wear Parts	13
B	Water Valve (USA)	15
B-1	LPT1 - Low power GIOB & Cables	15
B-2	Air Tubes	17
B-3	Water Tubes	19
B-4	Valve Block USA	21
B-5	Valve Block USA	23
B-6	Valve Block USA	25
B-7	Valves	27
B-8	Flange Kit	29



INTENTIONALLY BLANK





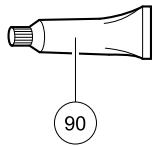
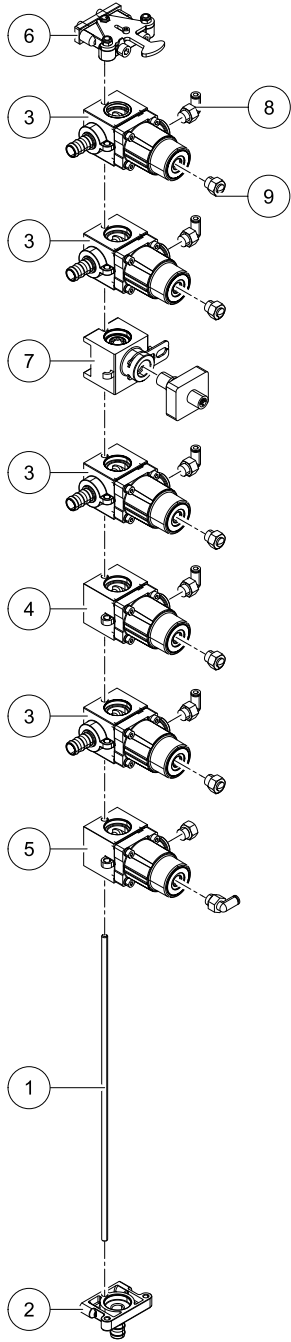
Astronaut A5

Water Valves
Block

5.1X05.00XX-X

0003242094

Ref.	Part No	Qty.	Description	Techn. info	Criticality	Remark
1	#####	1	Not separately			
2	9.1065.0085.5	1	Tube	Ø13x3.3, L=900mm		
3	5.1004.3945.0	1	Clip	Gevasol P7004.M225 Security clip		
4	#####	1	Not separately			
5	9.1185.0065.6	1	Tube	12.5xWD4, L=750mm	Bulk	
6	9.1185.0065.6	1	Tube	12.5xWD4, L=800mm	Bulk	
7	9.1185.0065.6	1	Tube	12.5xWD4, L=850mm	Bulk	
8	9.1138.0062.3	3	Tube	Black PA 4mm, L=40mm	Bulk	
9	9.1138.0062.3	1	Tube	Black PA 4mm, L=240mm	Bulk	
10	9.1138.0062.3	1	Tube	Black PA 4mm, L=300mm	Bulk	
11	9.1138.0062.3	1	Tube	Black PA 4mm, L=450mm	Bulk	
12	9.1138.0062.3	1	Tube	Black PA 4mm, L=480mm	Bulk	
13	9.1138.0062.3	1	Tube	Black PA 4mm, L=70mm	Bulk	
14	6.2001.1019.0	1	Cable		2	
15	9.1057.0067.3	2	S.h. bolt	M6x12 DIN912-A2 s/s	Bulk	
16	9.1057.0126.6	2	S.h. bolt	M6x50 DIN912-A2 s/s	Bulk	
17	9.1066.0022.5	4	Hose clamp	ø11-ø17 s/s	Bulk	
18	9.1138.0100.6	2	Plug-in coupling	4-4-4mm (T)	Bulk	





Astronaut A5 Water Valves 5.1X05.00XX-X 0003242094
 Block

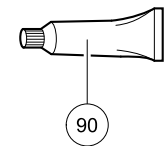
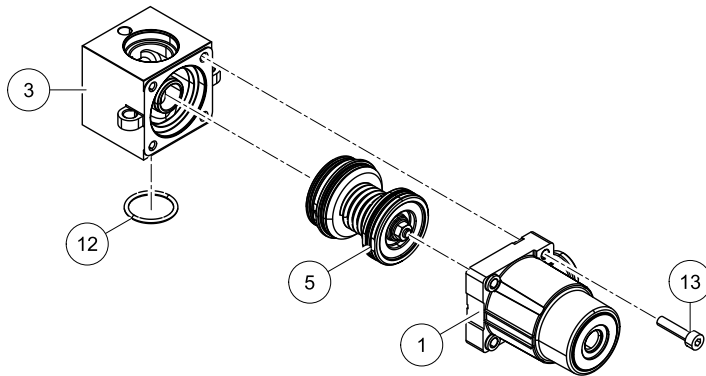
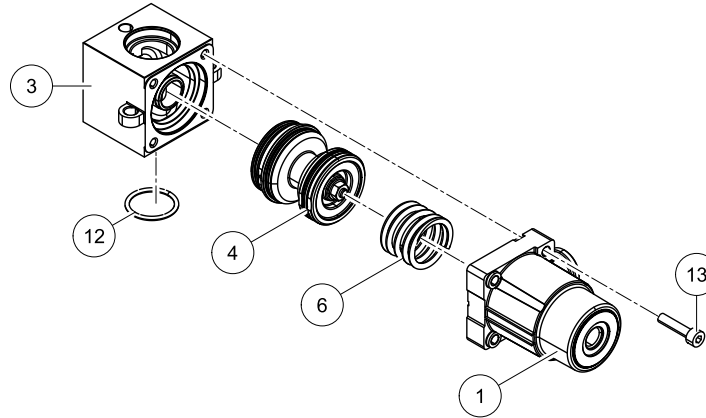
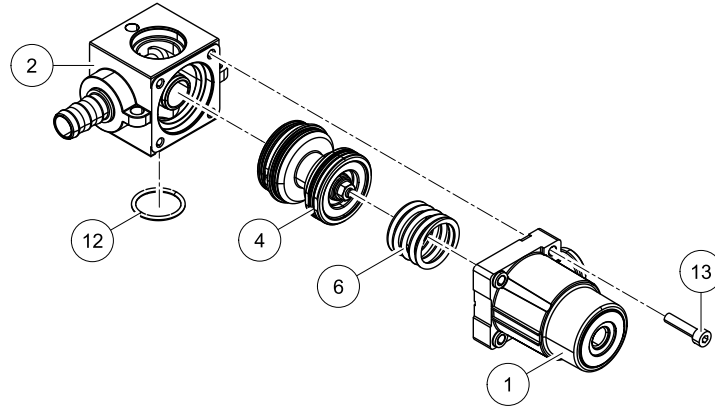
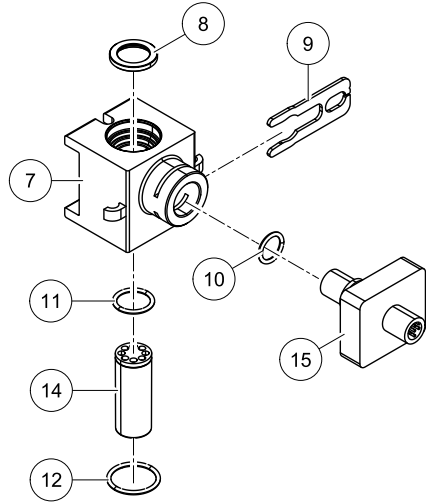
Ref.	Part No	Qty.	Description	Techn. info	Criticality	Remark
1	5.1004.3912.0	3	Tie rod	Gevasol P7004.M216 310 x 5 mm - standard block		
2	5.1004.3914.0	1	Flange	Gevasol P7004.M218 Right end barbed flange		
3	#####	4	Not separately			(see page 11)
4	#####	1	Not separately			(see page 11)
5	#####	1	Not separately			(see page 11)
6	5.1004.3950.0	1	Kit	Gevasol P7004.A221 easy flange		(see page 29)
7	#####	1	Not separately			(see page 11)
8	9.1138.1083.0	6	Push-pull nipple	MINI, G1/8"x 4 O-RING SEAL		
9	9.1138.1084.0	6	Filter	1/8" BSP Silencer (st.st), AISI 302		
90	9.1171.0116.0	1	Grease	10ml tube - Silicone Grease for dynamic/static seal		

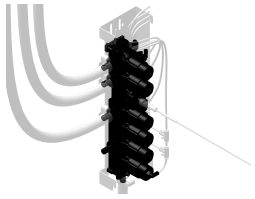
D000376-002

Valve Block

A-2







Astronaut A5

Water Valves
Block

5.1X05.00XX-X

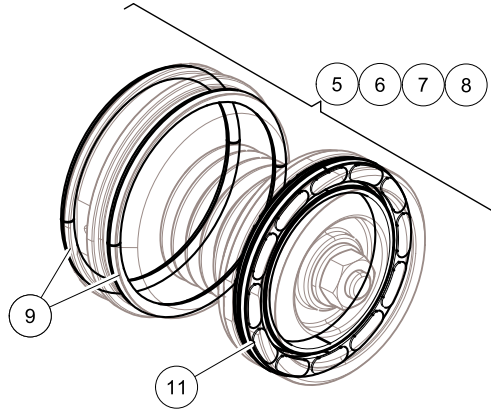
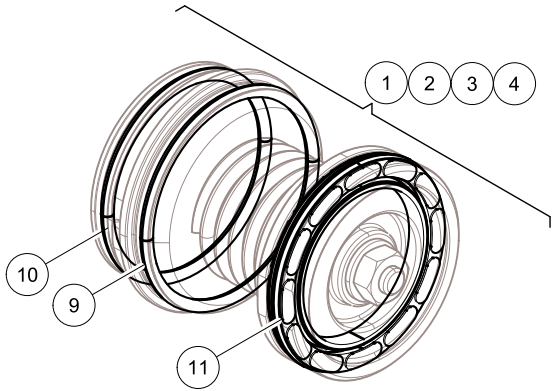
0003242094

Ref.	Part No	Qty.	Description	Techn. info	Criticality	Remark
1	5.1004.3901.0	6	Cover	Gevasol P7003.M050 Cover NC/NO		
2	5.1004.3908.0	4	Manifold	Gevasol P7004.M211 Barbed Base		
3	5.1004.3909.0	2	Manifold	Gevasol P7004.M212 Bypass NO Base		
4	5.1004.3927.0	2	Actuator	Normally Closed (NC)	2	
5	5.1004.3928.0	1	Actuator	Normally Open (NO)	2	
6	5.1004.3942.0	5	Spring	Gevasol SP1039 Compression spring for NC valve		
7	5.1005.4008.0	1	Manifold		1	
8	5.1005.4010.0	1	Ring		1	
9	5.1005.4011.0	1	Clip		1	
10	9.1043.0176.0	1	O-ring	10,82x 1,78 Viton		
11	#####	1	Not separately	14x1,78 Viton		
12	9.1043.0266.0	7	O-ring	SL2-018, 18.77x1.78, FKM 70+5 Sh. A black (V747-75)		
13	9.1057.0164.2	24	S.h. bolt	M4x18 DIN912 s/s		
14	9.1183.0077.0	1	Flow sensor	Turbine VTY 10-31	2	
15	9.1183.0078.0	1	Sensor	(Sika VT3493)	2	
90	9.1171.0116.0	1	Grease	10ml tube - Silicone Grease for dynamic/static seal		

D000376-009

Valves

A-3





Astronaut A5

Water Valves
Block

5.1X05.00XX-X

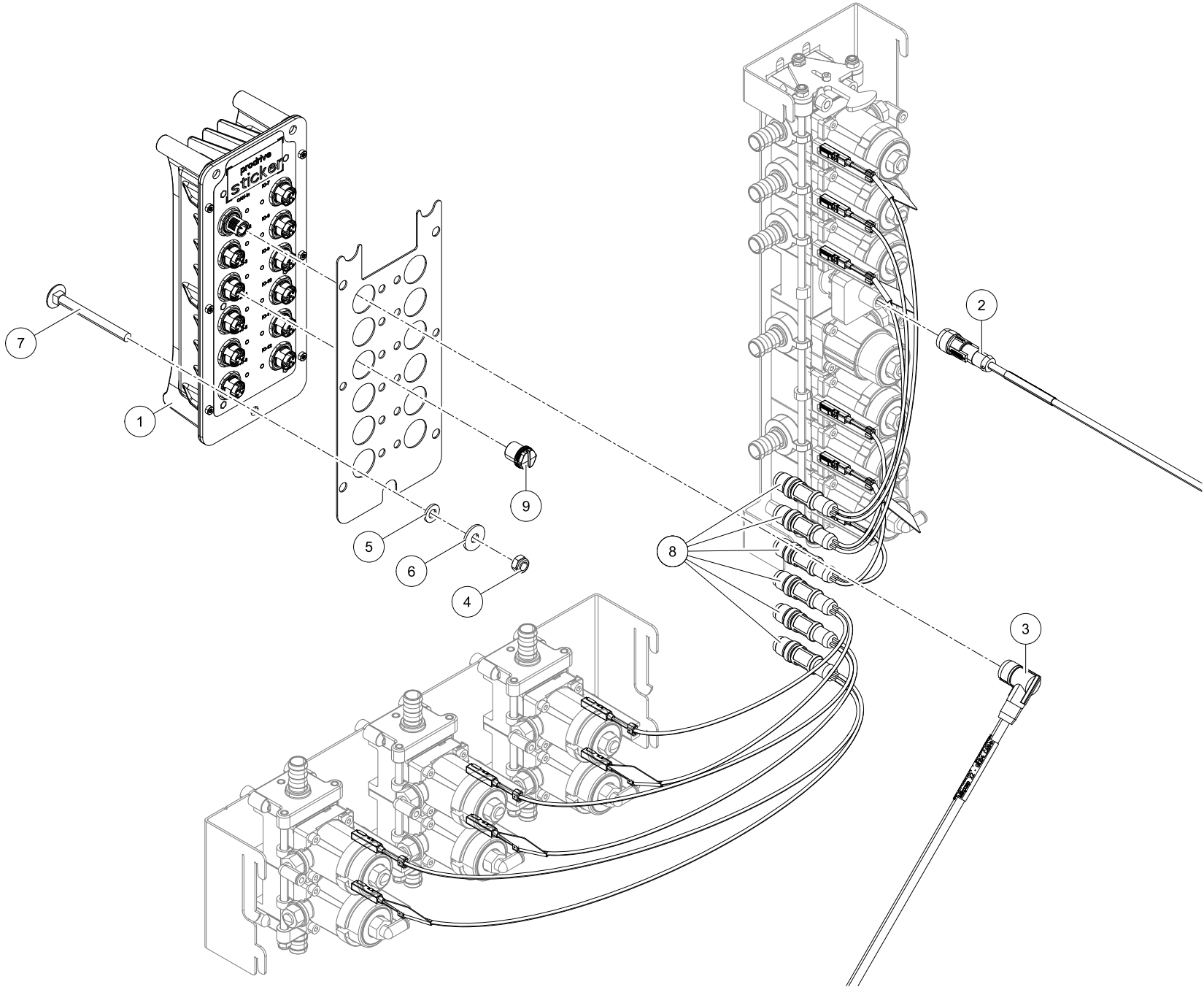
0003166452

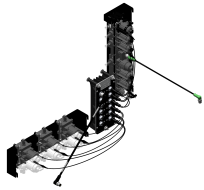
Ref.	Part No	Qty.	Description	Techn. info	Criticality	Remark
1	5.1004.3925.0	1	Actuator	Normally Open (NO - USA)		
2	5.1004.3926.0	1	Actuator	Normally Closed (NC - USA)		
3	5.1004.3927.0	1	Actuator	Normally Closed (NC)	2	
4	5.1004.3928.0	1	Actuator	Normally Open (NO)	2	
5	5.1004.3980.0	1	Actuator	Gevasol P7005.A050 Piston Retrofit NC		
6	5.1004.3981.0	1	Actuator	Gevasol P7005.A051 Piston retrofit NO		
7	5.1004.3982.0	1	Actuator	Gevasol P7005.A054 retrofit Piston NC USA		
8	5.1004.3983.0	1	Actuator	Retrofit Piston NO USA		
9	9.1043.0283.0	4	O-ring	SL2-025 29.87 x 1.78FKM 70°+5° SHORE A, BLACK (V747-75) PARK		
10	9.1043.0285.0	4	O-ring	28.3 x 1.78 FKM VITON 2-024		
11	9.1189.0075.5	8	Ring	16x22x4	1	

D000481-001

Actuator Wear Parts

A-4





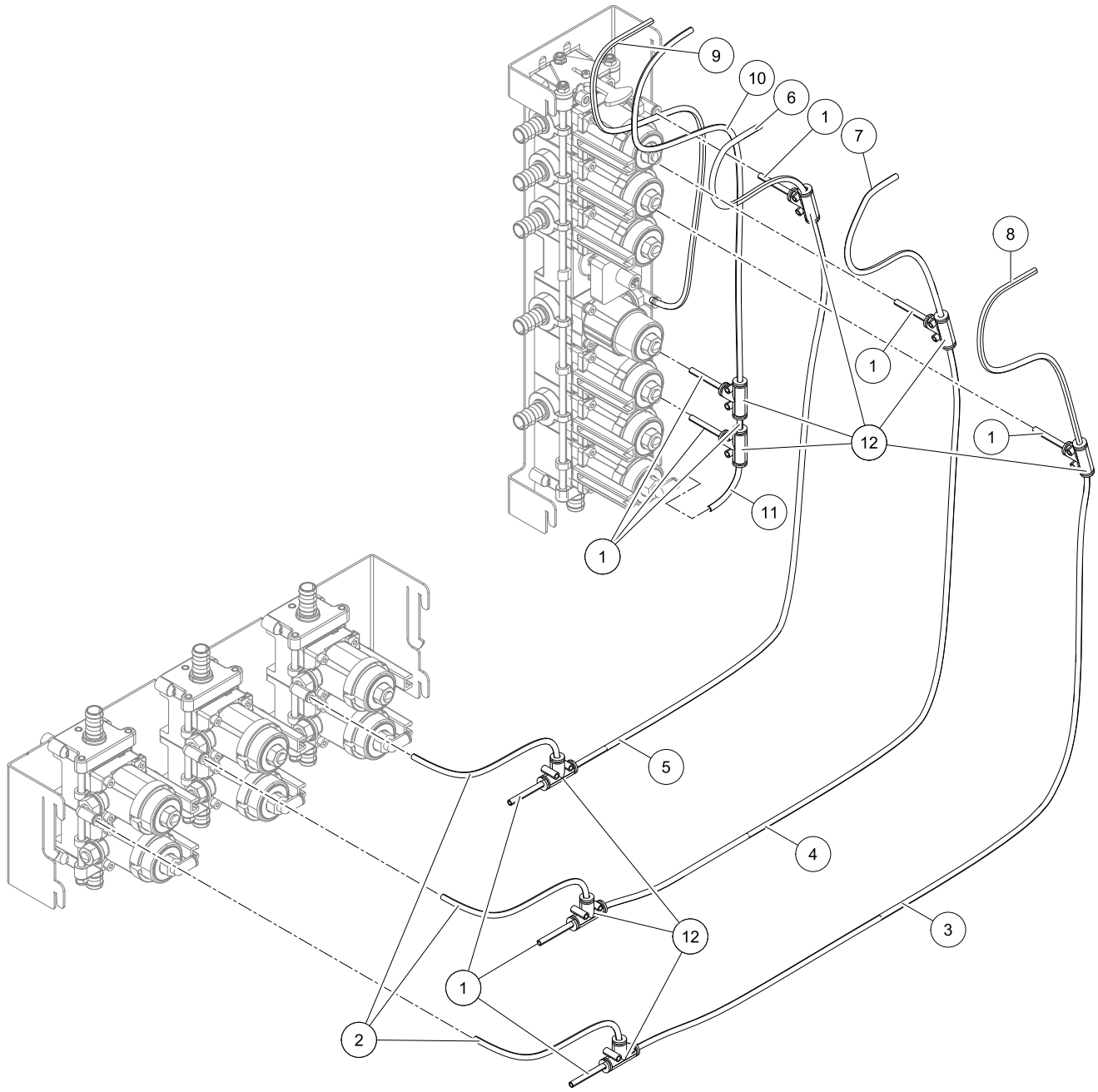
Astronaut A5

Water Valves
Block

5.1X05.00XX-X

0003242094

Ref.	Part No	Qty.	Description	Techn. info	Criticality	Remark
1	6.2001.0275.0	1	Module		2	
2	6.2001.1019.0	1	Cable		2	
3	6.2001.1041.0	1	Cable		2	
4	9.1030.0021.5	3	Nut	M6 DIN985 A2-2 s/s	Bulk	
5	9.1048.0090.0	3	Washer	A6,4 DIN125-A2 s/s	Bulk	
6	9.1048.0095.5	3	Washer	A6,4 DIN9021-A2 s/s	Bulk	
7	9.1058.0059.1	3	Coach bolt	M6x65 DIN603-A2 s/s		
8	9.1186.1048.0	6	Sensor	Valve Guarding Water Valves		
9	9.1186.1059.0	4	Plug	M12 screw plug SPEEDCON		





Astronaut A5

Water Valves
Block

5.1X05.00XX-X

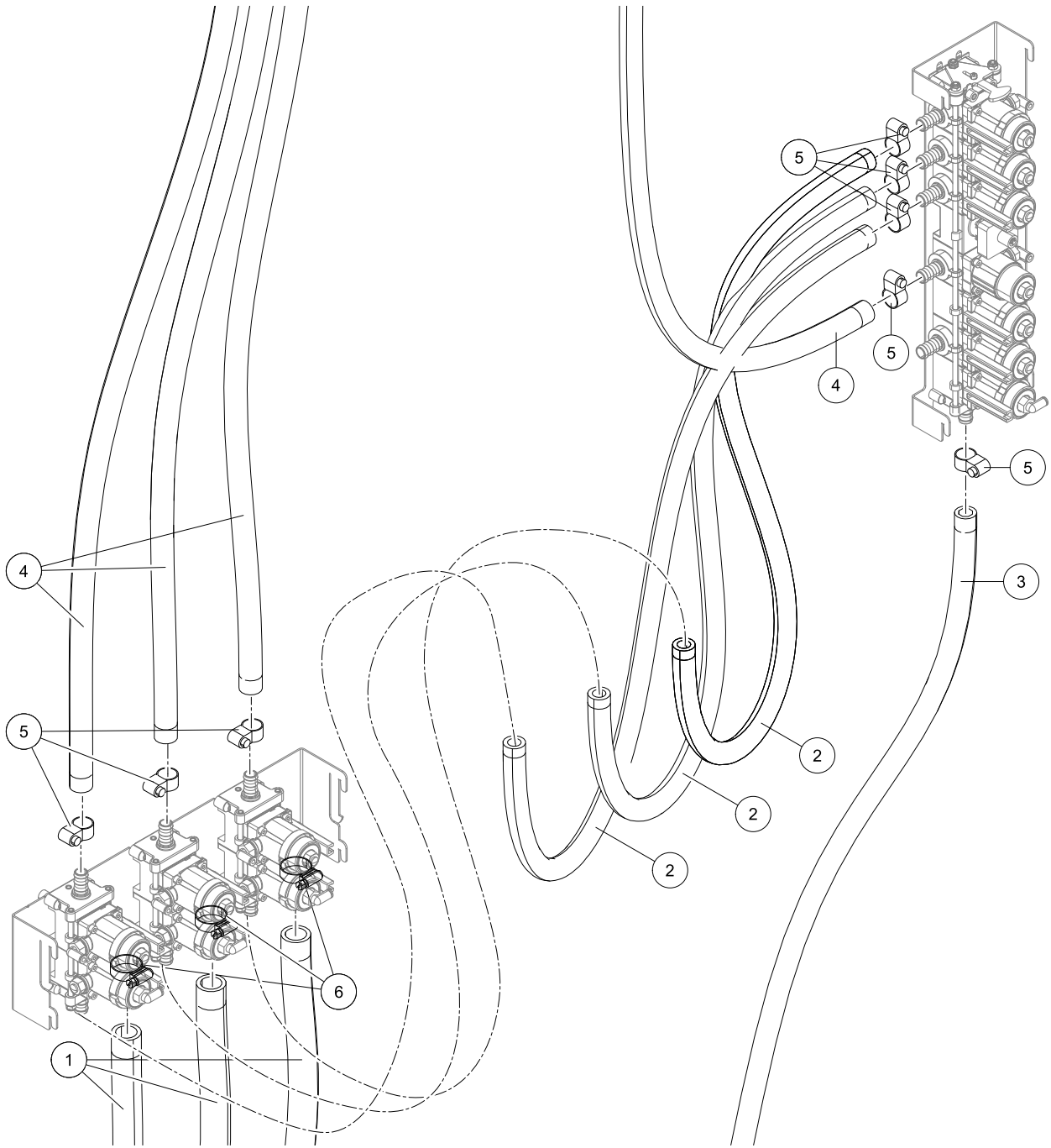
0003242094

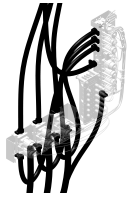
Ref.	Part No	Qty.	Description	Techn. info	Criticality	Remark
1	9.1138.0062.3	9	Tube	Black PA 4mm, L=40mm	Bulk	
2	9.1138.0062.3	3	Tube	Black PA 4mm, L=140mm	Bulk	
3	9.1138.0062.3	1	Tube	Black PA 4mm, L=600mm	Bulk	
4	9.1138.0062.3	1	Tube	Black PA 4mm, L=675mm	Bulk	
5	9.1138.0062.3	1	Tube	Black PA 4mm, L=750mm	Bulk	
6	9.1138.0062.3	1	Tube	Black PA 4mm, L=200mm	Bulk	
7	9.1138.0062.3	1	Tube	Black PA 4mm, L=240mm	Bulk	
8	9.1138.0062.3	1	Tube	Black PA 4mm, L=300mm	Bulk	
9	9.1138.0062.3	1	Tube	Black PA 4mm, L=450mm	Bulk	
10	9.1138.0062.3	1	Tube	Black PA 4mm, L=480mm	Bulk	
11	9.1138.0062.3	1	Tube	Black PA 4mm, L=70mm	Bulk	
12	9.1138.0100.6	8	Plug-in coupling	4-4-4mm (T)	Bulk	

D000376-005

Air Tubes

B-2





Astronaut A5

Water Valves
Block

5.1X05.00XX-X

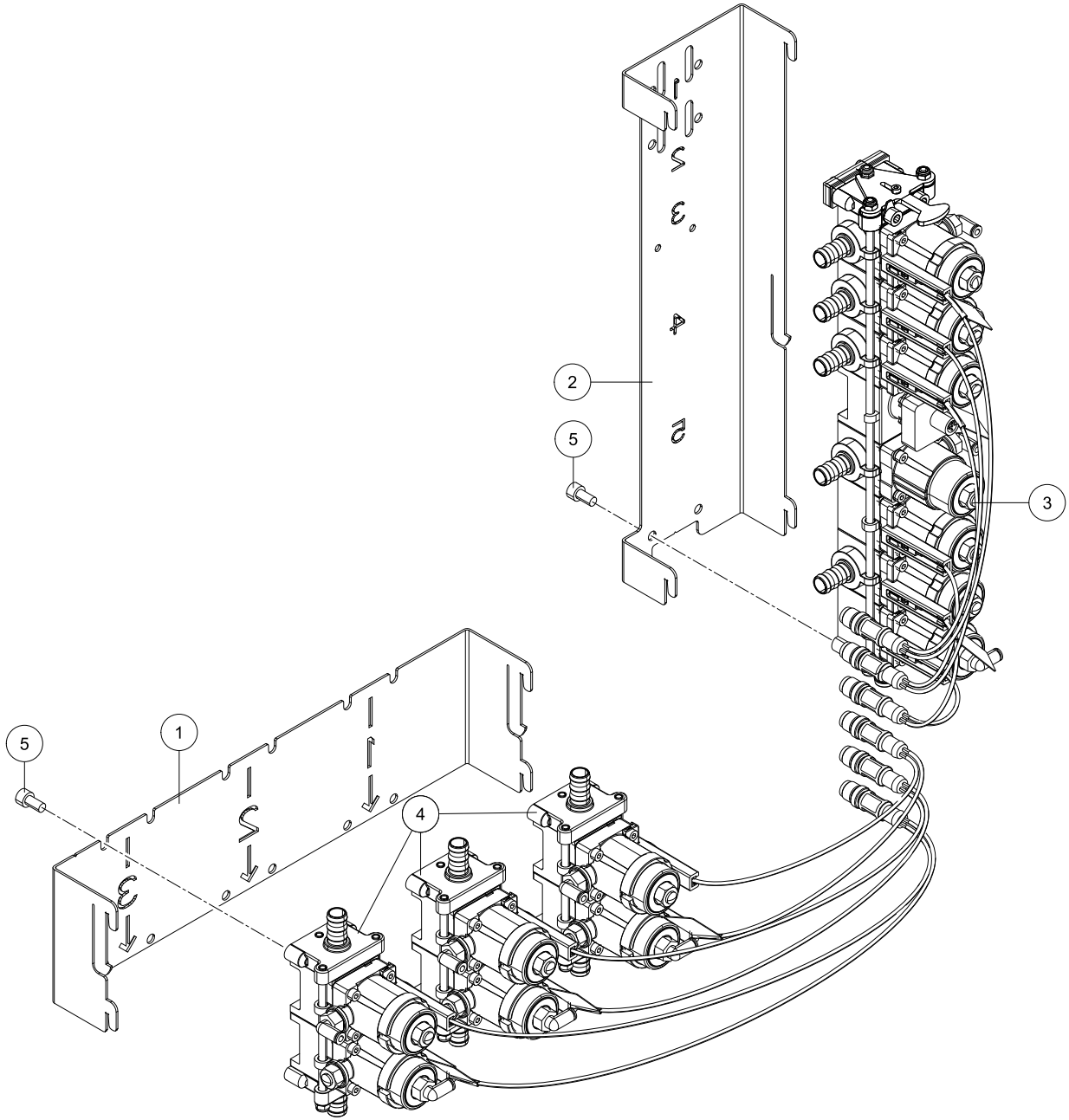
0003242094

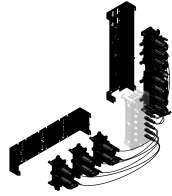
Ref.	Part No	Qty.	Description	Techn. info	Criticality	Remark
1	9.1065.0095.1	1				
2	9.1185.0065.6	3	Hose	SILIPRESS ROOD 12.5 x WD4 L=900mm	Bulk	
3	#####	1	Not separately			
4	9.1185.0065.6	1	Hose	SILIPRESS RED 12,5 x 4 L = 950	Bulk	
5	9.1066.0022.5	15	Hose clamp	ø11-ø17 s/s	Bulk	
6	9.1066.0040.2	3	Hose clamp	ø18-ø29 s/s	Bulk	

D000376-006

Water Tubes

B-3





Astronaut A5 Water Valves 5.1X05.00XX-X 0003242094
 Block

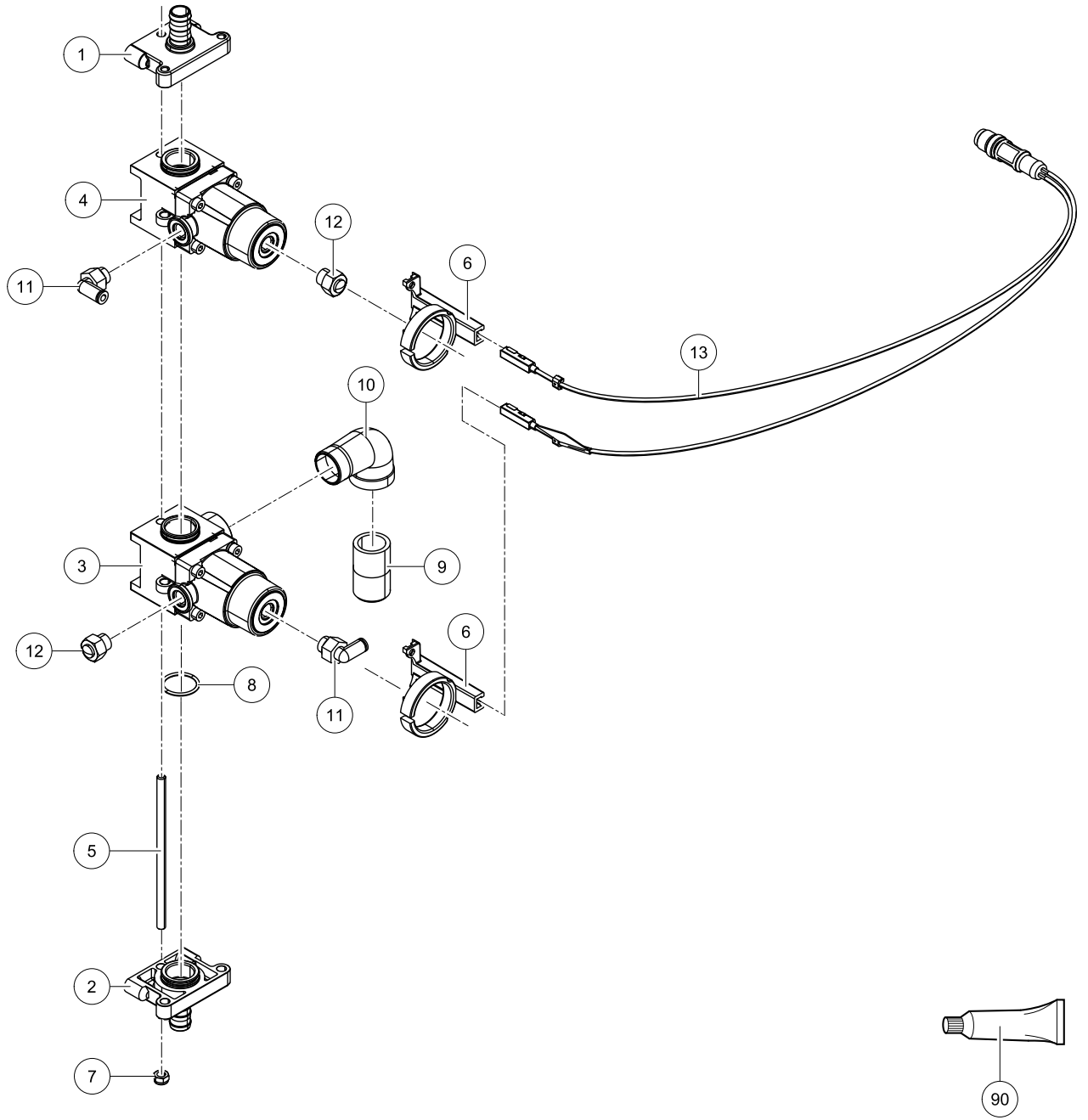
Ref.	Part No	Qty.	Description	Techn. info	Criticality	Remark
1	#####	1	Not separately			
2	#####	1	Not separately			
3	#####	1	Not separately			(see page 25)
4	#####	3	Not separately			(see page 23)
5	9.1057.0067.3	10	S.h. bolt	M6x12 DIN912-A2 s/s	Bulk	

D000376-004

Valve Block USA

B-4



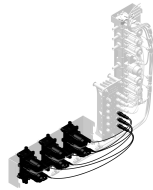


D000376-011

Valve Block USA

B-5





Astronaut A5 Water Valves 5.1X05.00XX-X 0003242094
 Block

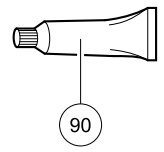
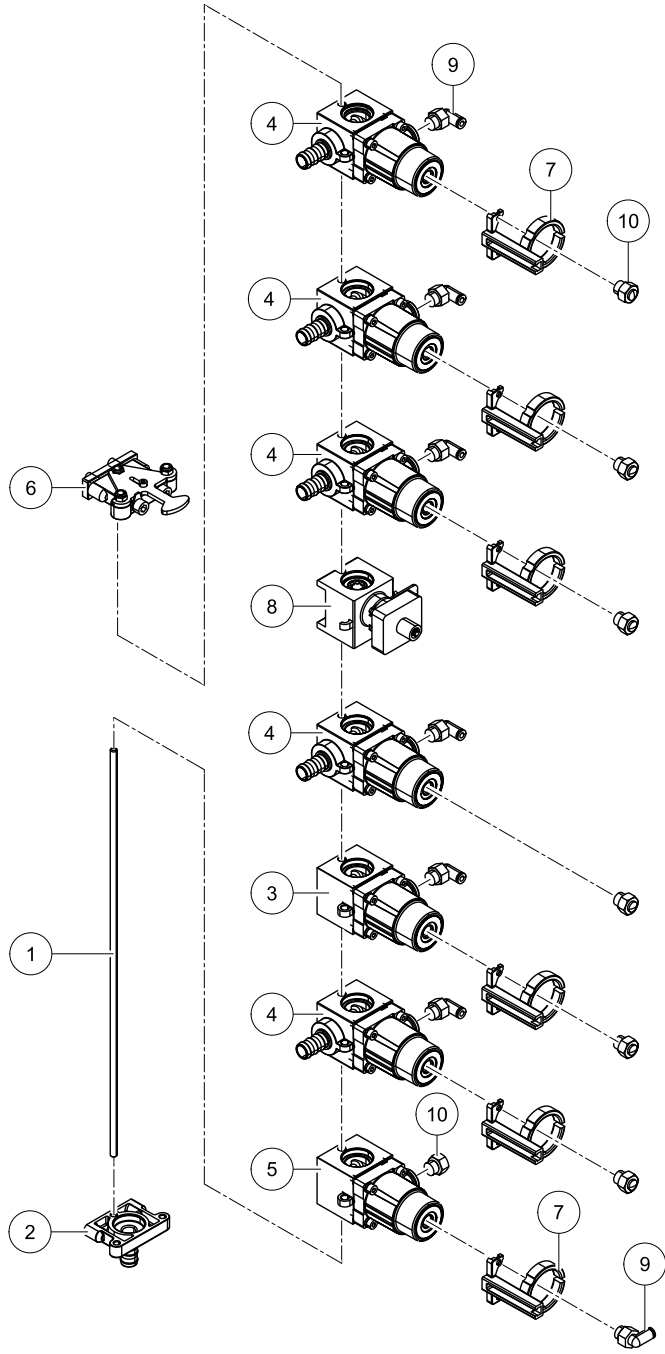
Ref.	Part No	Qty.	Description	Techn. info	Criticality	Remark
1	5.1004.3914.0	1	Flange	Gevasol P7004.M218 Right end barbed flange		
2	5.1004.3915.0	1	Flange	Gevasol P7004.M219 Left end barbed flange		
3	#####	1	Not separately			(see page 27)
4	#####	1	Not separately			(see page 27)
5	5.1004.3929.0	3	Tie rod	Gevasol P7004.M213 107 x 5 mm - BBB block		
6	5.1005.4004.0	2	Holder	Valve guarding water valves		
7	9.1030.0035.5	3	Nut	M5 DIN985 A2-2 s/s	Bulk	
8	9.1043.0266.0	1	O-ring	SL2-018, 18.77x1.78, FKM 70+5 Sh. A black (V747-75)		
9	9.1129.0011.1	1	Nipple G1/2" L=35 DIN2982	s/s 316		
10	9.1129.0108.0	1	Elbow	90° 1/2"		
11	9.1138.1083.0	2	Push-pull nipple	MINI, G1/8"x 4 O-RING SEAL		
12	9.1138.1084.0	2	Filter	1/8" BSP Silencer (st.st), AISI 302		
13	9.1186.1048.0	1	Sensor	Valve Guarding Water Valves		
90	9.1171.0116.0	1	Grease	10ml tube - Silicone Grease for dynamic/static seal		

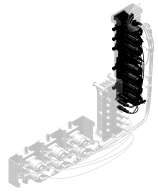
D000376-011

Valve Block USA

B-5



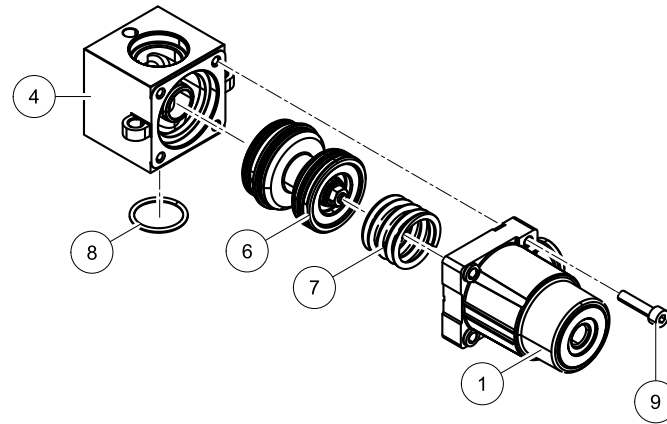
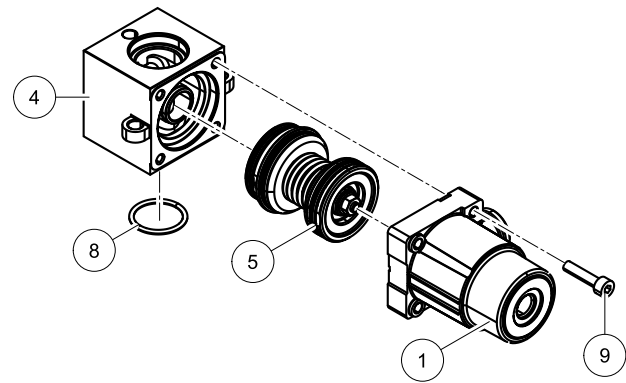
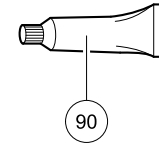
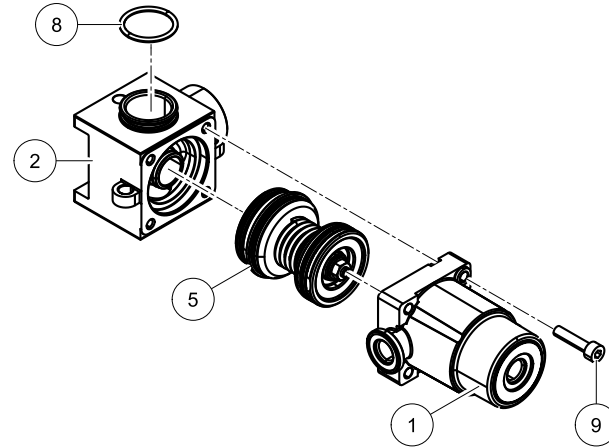
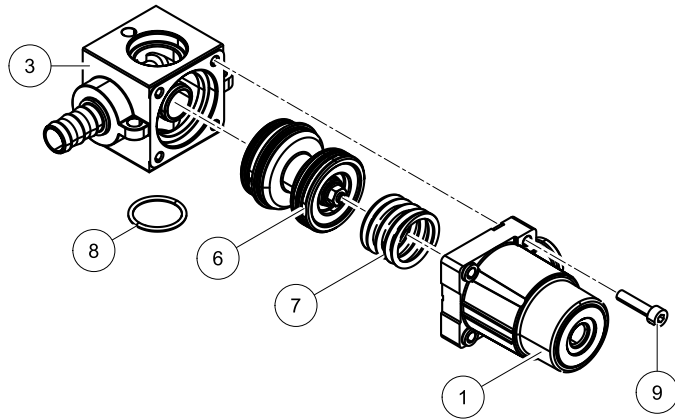


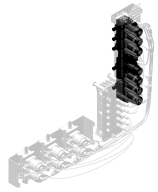


Astronaut A5 Water Valves 5.1X05.00XX-X 0003242094
 Block

Ref.	Part No	Qty.	Description	Techn. info	Criticality	Remark
1	5.1004.3910.0	3	Tie rod	Gevasol P7004.M214 350 x 5 mm - USA block		
2	5.1004.3914.0	1	Flange	Gevasol P7004.M218 Right end barbed flange		
3	#####	1	Not separately			(see page 27)
4	#####	5	Not separately			(see page 27)
5	#####	1	Not separately			(see page 27)
6	5.1004.3950.0	1	Kit	Gevasol P7004.A221 easy flange		(see page 29)
7	#####	6	Not separately			
8	#####	1	Not separately			(see page 11)
9	9.1138.1083.0	7	Push-pull nipple	MINI, G1/8"x 4 O-RING SEAL		
10	9.1138.1084.0	7	Filter	1/8" BSP Silencer (st.st), AISI 302		
90	9.1171.0116.0	1	Grease	10ml tube - Silicone Grease for dynamic/static seal		







Astronaut A5

Water Valves
Block

5.1X05.00XX-X

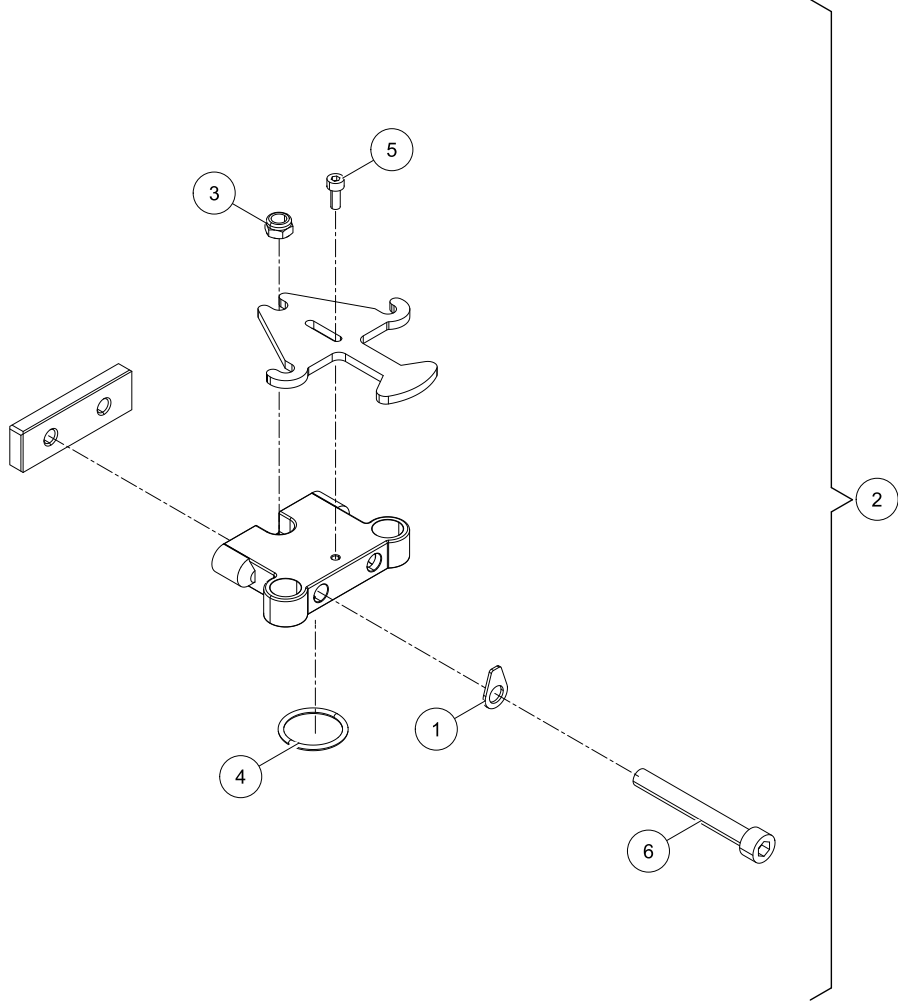
0003242094

Ref.	Part No	Qty.	Description	Techn. info	Criticality	Remark
1	5.1004.3901.0	4	Cover	Gevasol P7003.M050 Cover NC/NO		
2	5.1004.3907.0	1	Manifold	Gevasol P7004.M210 G 1/2" base		
3	5.1004.3908.0	1	Manifold	Gevasol P7004.M211 Barbed Base		
4	5.1004.3909.0	2	Manifold	Gevasol P7004.M212 Bypass NO Base		
5	5.1004.3925.0	2	Actuator	Normally Open (NO - USA)		
6	5.1004.3926.0	2	Actuator	Normally Closed (NC - USA)		
7	5.1004.3942.0	2	Spring	Gevasol SP1039 Compression spring for NC valve		
8	9.1043.0266.0	4	O-ring	SL2-018, 18.77x1.78, FKM 70+5 Sh. A black (V747-75)		
9	9.1057.0164.2	16	S.h. bolt	M4x18 DIN912 s/s		
90	9.1171.0116.0	1	Grease	10ml tube - Silicone Grease for dynamic/static seal		

D000376-010

Valves

B-7

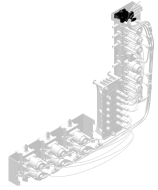


D000376-008

Flange Kit

B-8





Astronaut A5

Water Valves
Block

5.1X05.00XX-X

0003242094

Ref.	Part No	Qty.	Description	Techn. info	Criticality	Remark
1	5.1004.3945.0	1	Clip	Gevasol P7004.M225 Security clip		
2	5.1004.3950.0	1	Kit	Gevasol P7004.A221 easy flange		
3	9.1030.0035.5	3	Nut	M5 DIN985 A2-2 s/s	Bulk	
4	9.1043.0266.0	1	O-ring	SL2-018, 18.77x1.78, FKM 70+5 Sh. A black (V747-75)		
5	9.1057.0065.1	1	S.h. bolt	M3x8 DIN912-A2 s/s	Bulk	
6	9.1057.0126.6	2	S.h. bolt	M6x50 DIN912-A2 s/s	Bulk	

D000376-008

Flange Kit

B-8

Lely Industries N.V.

Cornelis van der Lelylaan 1

NL-3147 PB Maassluis

Tel +31 (0)88 - 12 28 221

Fax +31 (0)88 - 12 28 222

