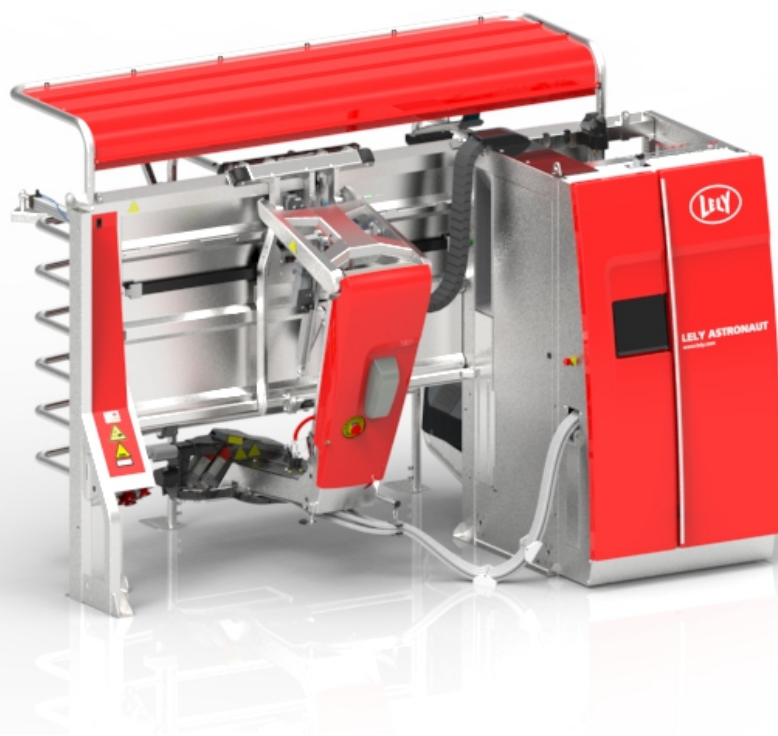


# Lely Astronaut A5

## Milk Transport



## Parts list

5.1005.8568.0 E

English Original





INTENTIONALLY BLANK

# Preface

## Applicability

Type number:	As from serial number:
5.1X05.00XX-X	0003242094

### Spare Parts

When ordering spare parts it is important that you are aware of the type and serial number of your machine. Use only genuine LELY parts.

### Criticality

Criticality = Bulk, 0, 1, 2

- Bulk = Bulk item.
- 0 = Not critical.
- 1 = Not very critical.
- 2 = Critical.

### Explanation of Signs Used in the Parts List

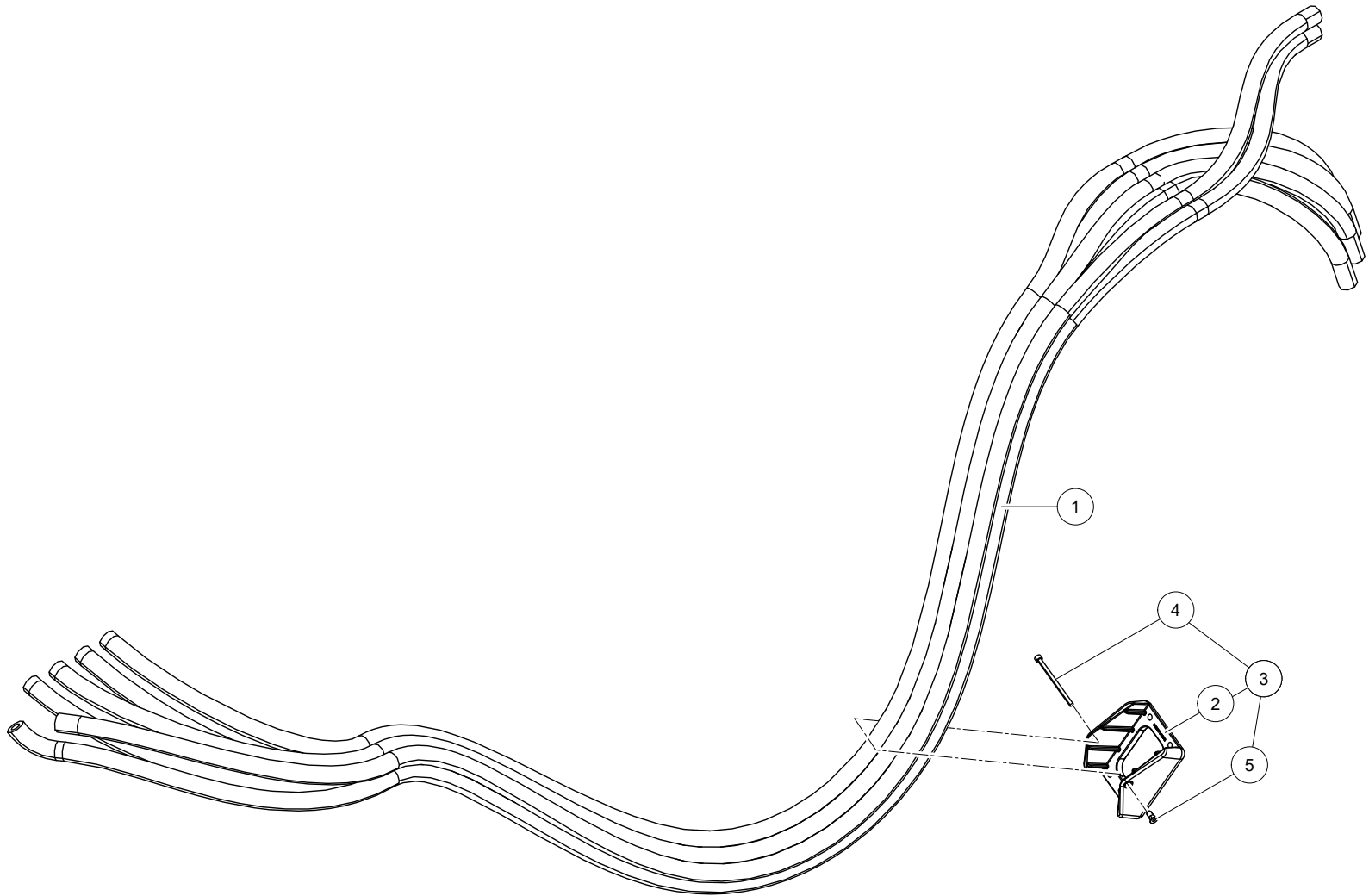
[R] / [RH]	By RH or LH version the position of the part is meant, seen from the rear of the machine.
[L] / [LH]	
[~]	E.g.: LH version is not similar to the RH version, which is actually shown.
[#]	Not available seperately.



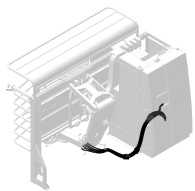
INTENTIONALLY BLANK

# Table of Contents

<b>A</b>	<b>Milk Transport</b>	<b>6</b>
A-1	6-Fold Hose	6
A-2	Milkjar	8
A-3	Sampler Valve	10
A-4	Milk Pump for milk valve type 1	12
A-5	Milk Pump for milk valve type 2	14
A-6	Milk Valve Type - 1	16
A-7	Milk Valve Type - 2	18
A-8	3-Way Valve	20
A-9	Milk Valve	22
A-10	Blow Empty Valve (LH) Type – 1	24
A-11	Blow Empty Valve (RH) Type - 2	26
A-12	Solenoid Blow Empty Valve Type - 2	28
A-13	Valve Guard Sensor	30
<b>B</b>	<b>Milk Filters</b>	<b>32</b>
B-1	Milk Filter	32
B-2	Valve	34
B-3	Twinfilter	36
B-4	Twinfilter XL	38
B-5	Valve	40
B-6	Bracket	42
<b>C</b>	<b>Pre-Cooler</b>	<b>44</b>
C-1	Precooler	44
C-2	GIOB	46



7



Lely Astronaut A5      Milk Transport      5.1X05.00XX-X      0003242094

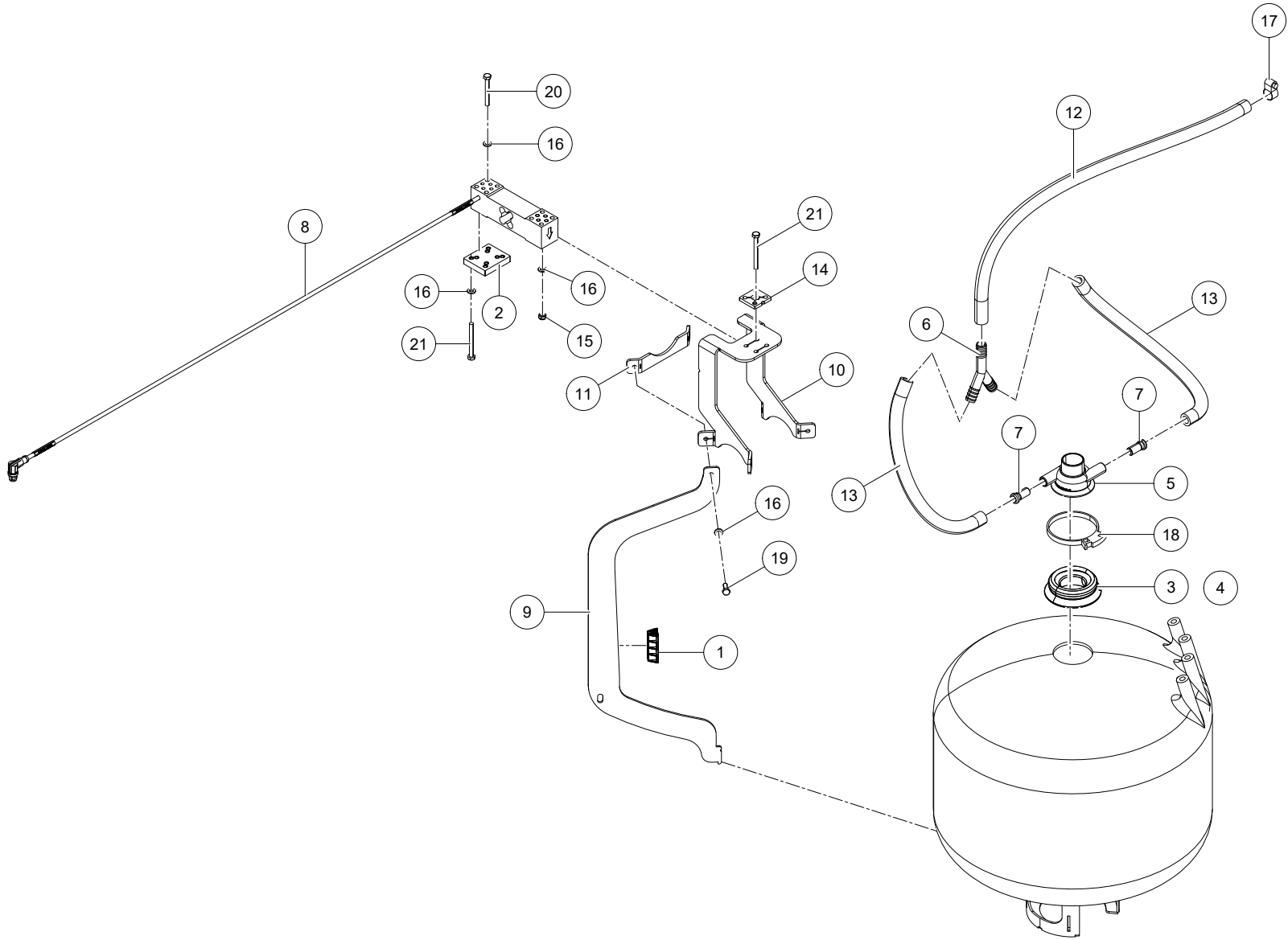
Ref.	Part No	Qty.	Description	Techn. info	Criticality	Remark
1	5.1004.2530.0	1	6-fold Tube	Via Lely Consumables	1	
2	5.1004.6631.0	2	Wear skid			
3	5.1004.6632.0	2	Wear skid		1	
4	9.1057.0131.4	2	S.h. bolt	M5x80 DIN912-A2-90 s/s	Bulk	
5	9.1152.0026.0	2	Blind rivet		Bulk	

D000373-001

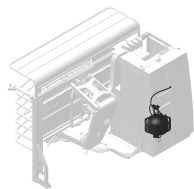
6-Fold Hose

A-1









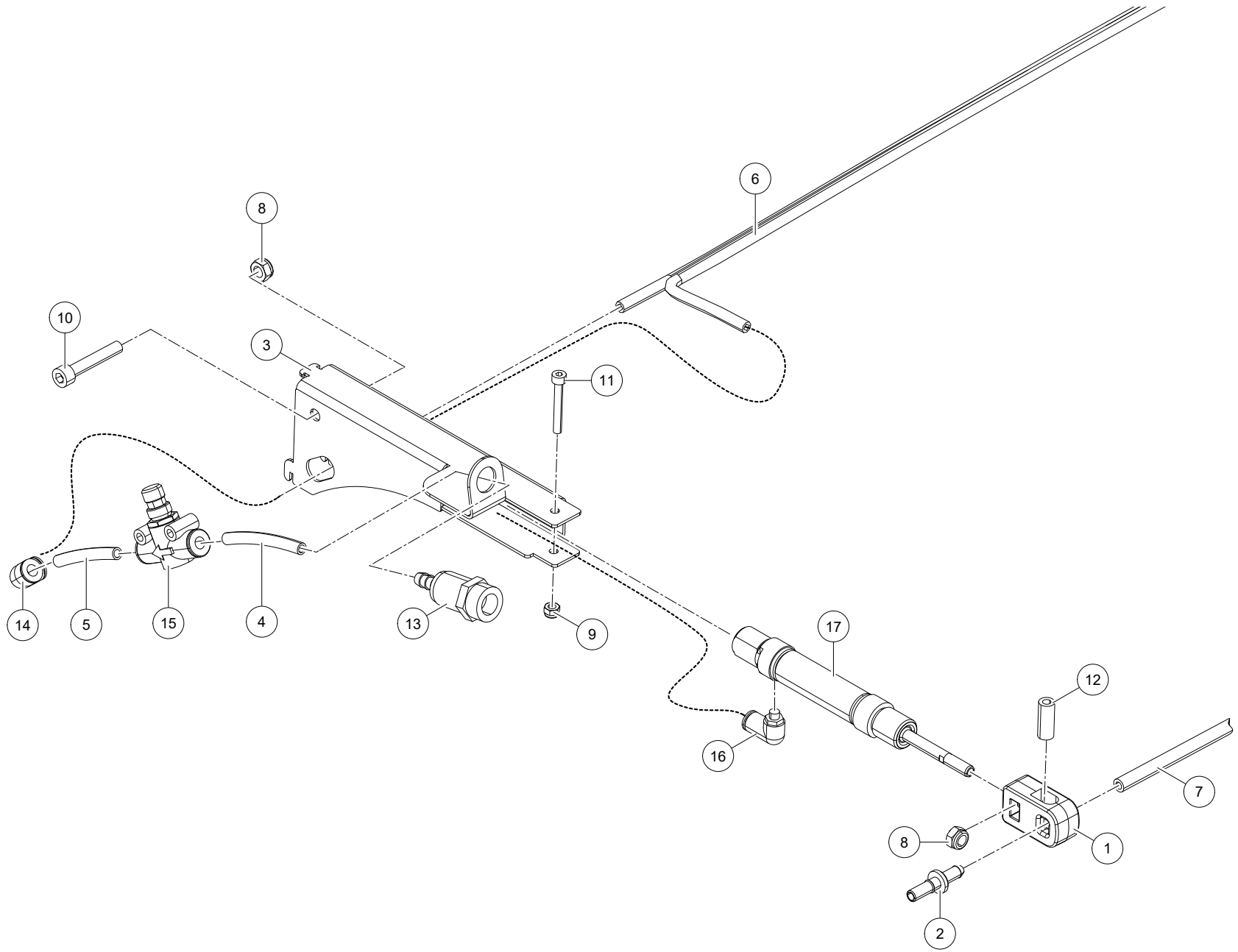
Lely Astronaut A5

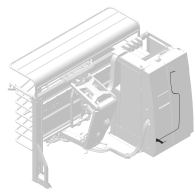
Milk Transport

5.1X05.00XX-X

0003242094

Ref.	Part No	Qty.	Description	Techn. info	Criticality	Remark
1	5.1003.0729.0	4	Wedge			
2	5.1003.0745.0	1	Mounting plate			
3	5.1003.0747.0	1	Sealing ring	5-7.5mm	2	
4	5.1003.0748.0	1	Sealing ring	7.5-10mm	2	
5	5.1003.0749.0	1	Rinse head		2	
6	9.2018.0047.0	1	Y-piece		1	
7	5.1004.1078.0	2	Restrictor tube			
8	5.1005.2234.0	1	Load cell	with Cable and M12 connector		
9	5.1005.2641.0	4	Plate		1	
10	5.1005.2883.0	1	Bracket		1	
11	5.1005.2884.0	2	Bracket			
12	9.1185.0065.6	1	Hose	SILIPRESS RED 12,5 x 4 L = 750	Bulk	
13	9.1185.0065.6	1	Hose	SILIPRESS RED 12,5 X 4 L = 420	Bulk	
14	5.1005.3619.0	1	Spacer	Loadcell		
15	9.1030.0021.5	4	Nut	M6 DIN985 A2-2 s/s	Bulk	
16	9.1048.0090.0	16	Washer	A6,4 DIN125-A2 s/s	Bulk	
17	9.1066.0022.5	1	Hose clamp	ø11-ø17 s/s	Bulk	
18	9.1066.0068.2	1	Hose clamp	ø70-ø75		
19	9.1113.0163.1	4	Bolt	M6x16 DIN933-A2-2 s/s	Bulk	
20	9.1113.0234.2	4	Bolt	M6x50 DIN931-A2-2 s/s	Bulk	
21	9.1113.0354.2	8	Bolt	M6x60 DIN931-A2-2 s/s	Bulk	





Lely Astronaut A5

Milk Transport

5.1X05.00XX-X

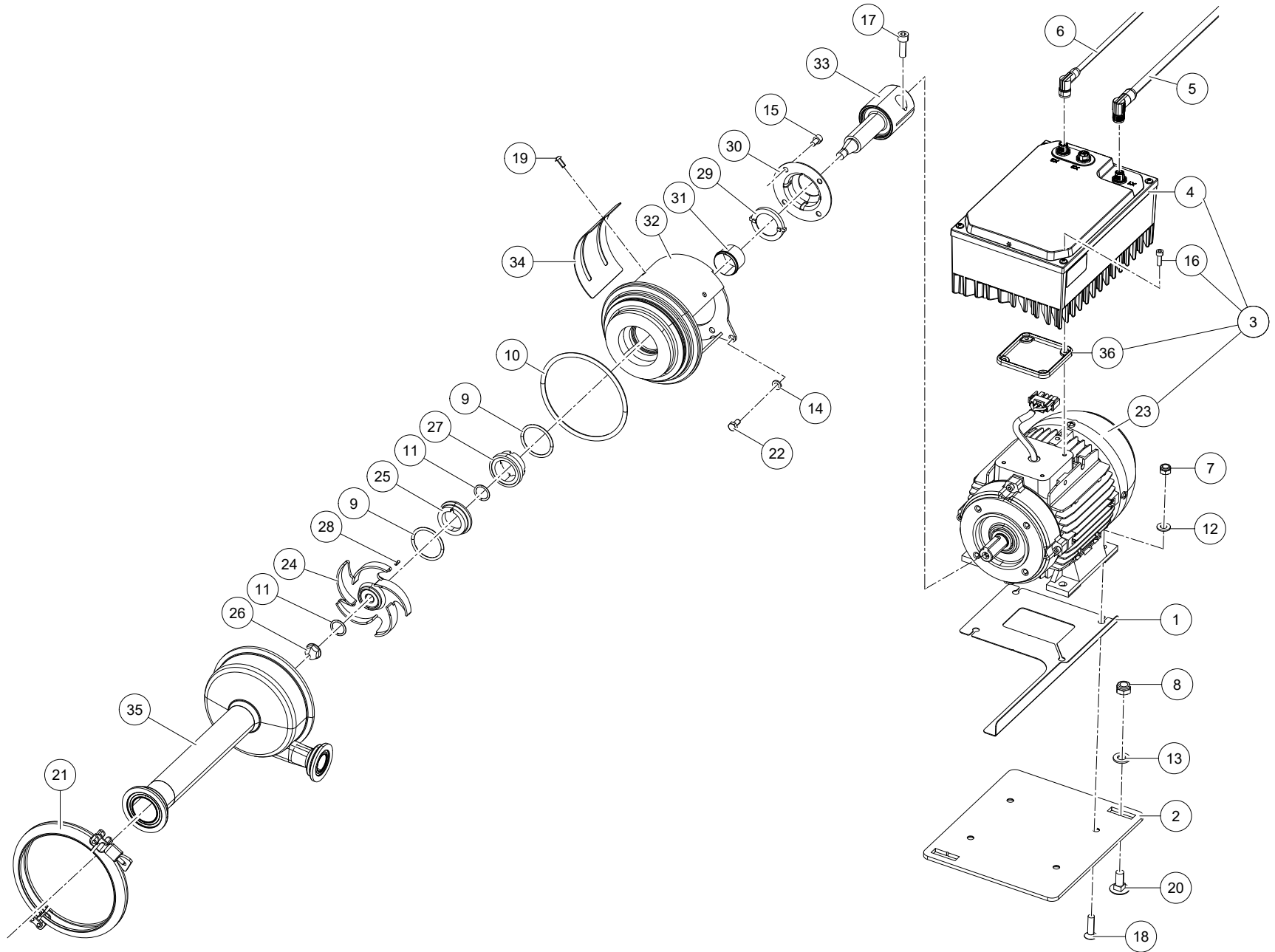
0003242094

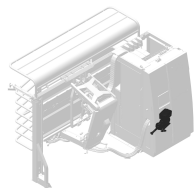
Ref.	Part No	Qty.	Description	Techn. info	Criticality	Remark
1	5.1003.1159.0	1	Locking cap			
2	5.1004.1615.0	1	Nipple			
3	5.1004.2959.0	1	Plate			
4	9.1138.0351.4	1	Hose	ø6mm PUNH (100m)	Bulk	
5	9.1138.0351.4	1	Hose	ø6mm PUNH (100m)	Bulk	
6	#####	1	Tube	L=2300mm		((9.1138.0063.4 PN hose BLACK 6mm PA), (9.1138.0064.5 PN hose BLUE 6mm))
7	9.1065.0074.2	1	Hose	inner Ø4x1,5 SILICON BERGASIL 60GR SHORE A	Bulk	
8	9.1030.0021.5	2	Nut	M6 DIN985 A2-2 s/s	Bulk	
9	9.1030.0033.3	1	Nut	M4 DIN985 A2-2 s/s	Bulk	
10	9.1057.0103.4	1	S.h. bolt	M6x35 DIN912-A2 s/s		
11	9.1057.0122.2	1	S.h. bolt	M4x30 DIN912-A2 s/s	Bulk	
12	9.1073.0020.3	1	Spacer	4.2x8x20		
13	9.1138.0069.3	1	Coupling (F)	Shuttle	Bulk	
14	9.1138.0098.4	1	Plug-in coupling	6-6mm ( _ )	Bulk	
15	9.1138.0189.4	1	Pressure reducer	6-6mm	Bulk	
16	9.1138.0303.5	1	Plug-in coupling			
17	9.1138.0543.6	1	Cylinder		1	

D000385-001

Sampler Valve

A-3





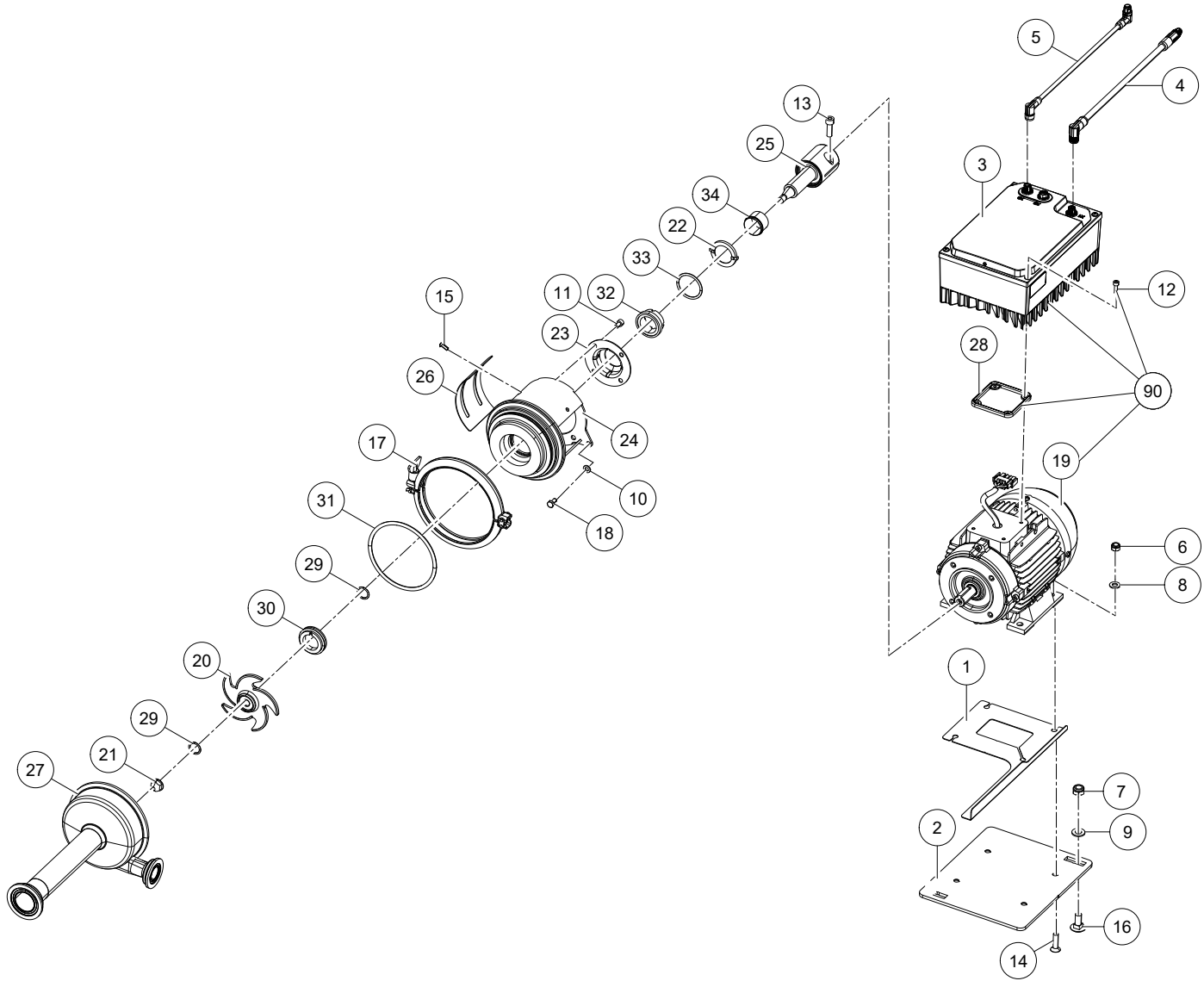
Lely Astronaut A5

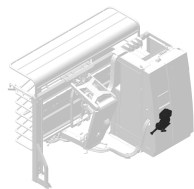
Milk Transport

5.1X05.00XX-X

0003242094

Ref.	Part No	Qty.	Description	Techn. info	Criticality	Remark
1	#####	1	Not separately			
2	#####	1	Not separately			
3	5.1005.3416.0	1	Drive		2	
4	#####	1	Not separately			
5	6.2001.1025.0	1	Cable	SAC-4P-MSS/2,3-PUR/FRS PE SCO	2	
6	6.2001.1042.0	1	Cable		2	
7	9.1030.0020.4	4	Nut	M8 DIN985 A2-2 s/s	Bulk	
8	9.1030.0022.6	2	Nut	M10 DIN985 A2-2 s/s	Bulk	
9	9.1043.0077.6	2	O-ring	21,82x3,53		
10	9.1043.0080.2	1	O-ring	123,19x3,55		
11	9.1043.0081.3	2	O-ring	10x2		
12	9.1048.0050.2	4	Washer	A8,4 DIN125-A2 s/s	Bulk	
13	9.1048.0051.3	2	Washer	A10,5 DIN125-A2 s/s	Bulk	
14	9.1048.0090.0	4	Washer	A6,4 DIN125-A2 s/s	Bulk	
15	9.1057.0057.0	4	S.h. bolt	M6x10 DIN912 A2-2 s/s	Bulk	
16	9.1057.0066.2	4	S.h. bolt	M5x16 DIN912-A2 s/s	Bulk	
17	9.1057.0089.4	1	S.h. bolt	M8x25 DIN912-12.9	Bulk	
18	9.1057.0357.0	4	Screw M 8x30 DIN7991 s/s-A2-70		bulk	
19	9.1057.0402.2	2	Button head screw	M5x12 ISO7380-A2 s/s	Bulk	
20	9.1058.0083.4	2	Coach bolt	M10x25 DIN603 s/s		
21	9.1066.0053.1	1	Tri clamp			
22	9.1113.0488.1	4	Bolt	M6x12 DIN933-A2-2 s/s	Bulk	
23	#####	1	Not separately			
24	9.1185.0225.5	1	Rotor			
25	9.1185.0226.6	1	Mechanical seal			
26	9.1185.0228.1	1	Cap nut			
27	9.1185.0229.2	1	Ring			
28	#####	1	Not separately			
29	9.1185.0254.6	1	Junk ring		2	
30	9.1185.0255.0	1	Packing support		2	
31	9.1185.0257.2	1	Tube			
32	9.1185.1126.0	1	Adapter		1	
33	9.1185.1127.0	1	Shaft		2	
34	9.1185.1128.0	2	Plate			
35	9.1185.1129.0	1	Housing		2	
36	9.1189.0294.0	1	Gasket	For WEG MW500	1	





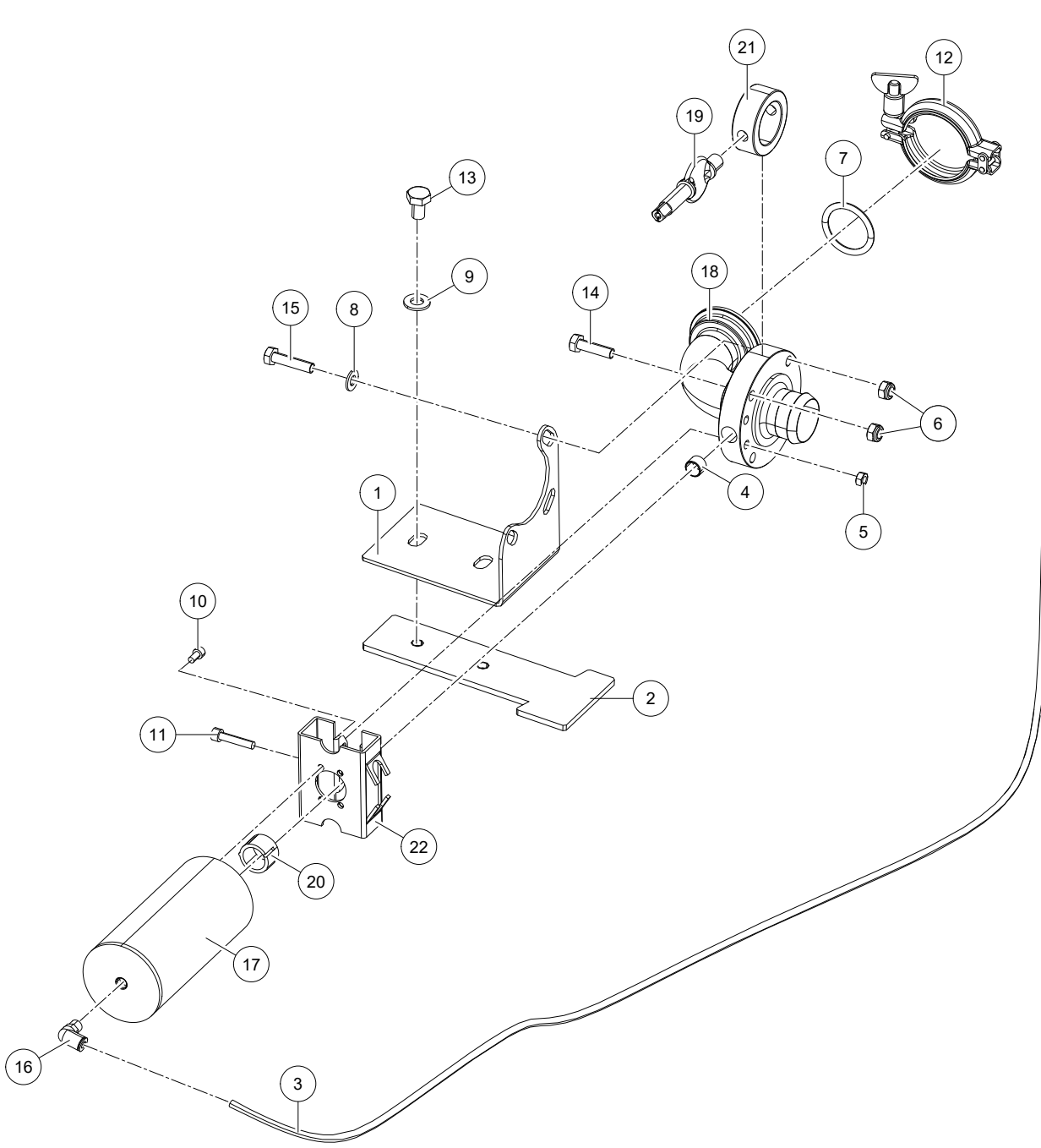
Lely Astronaut A5

Milk Transport

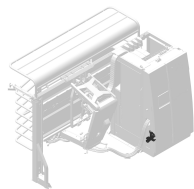
5.1X05.00XX-X

0003242094

Ref.	Part No	Qty.	Description	Techn. info	Criticality	Remark
1	#####	1	Not separately			
2	#####	1	Not separately			
3	#####	1	Not separately			
4	6.2001.1025.0	1	Cable	SAC-4P-MSS/2,3-PUR/FRS PE SCO	2	
5	6.2001.1042.0	1	Cable		2	
6	9.1030.0020.4	4	Nut	M8 DIN985 A2-2 s/s	Bulk	
7	9.1030.0022.6	2	Nut	M10 DIN985 A2-2 s/s	Bulk	
8	9.1048.0050.2	4	Washer	A8,4 DIN125-A2 s/s	Bulk	
9	9.1048.0051.3	2	Washer	A10,5 DIN125-A2 s/s	Bulk	
10	9.1048.0090.0	4	Washer	A6,4 DIN125-A2 s/s	Bulk	
11	9.1057.0057.0	4	S.h. bolt	M6x10 DIN912 A2-2 s/s	Bulk	
12	9.1057.0066.2	4	S.h. bolt	M5x16 DIN912-A2 s/s	Bulk	
13	9.1057.0089.4	1	S.h. bolt	M8x25 DIN912-12.9	Bulk	
14	9.1057.0357.0	4	Screw M 8x30 DIN7991 s/s-A2-70		Bulk	
15	9.1057.0402.2	2	Button head screw	M5x12 ISO7380-A2 s/s	Bulk	
16	9.1058.0083.4	2	Coach bolt	M10x25 DIN603 s/s		
17	9.1066.0053.1	1	Tri clamp			
18	9.1113.0488.1	4	Bolt	M6x12 DIN933-A2-2 s/s	Bulk	
19	#####	1	Not separately			
20	9.1185.0225.5	1	Rotor			
21	9.1185.0228.1	1	Cap nut			
22	9.1185.0254.6	1	Junk ring		2	
23	9.1185.0255.0	1	Packing support		2	
24	9.1185.1126.0	1	Adapter		1	
25	9.1185.1127.0	1	Shaft		2	
26	9.1185.1128.0	2	Plate			
27	9.1185.1150.0	1	Housing			
28	9.1189.0294.0	1	Gasket	For WEG MW500	1	
29	9.1043.0081.3	2	O-ring	10x2		
30	9.1185.0226.6	1	Mechanical seal			
31	9.1043.0080.2	1	O-ring	123,19x3,55		
32	9.1185.0229.2	1	Ring			
33	9.1043.0077.6	2	O-ring	21,82x3,53		
34	9.1185.0257.2	1	Tube			
90	5.1005.3416.0	1	Drive		2	







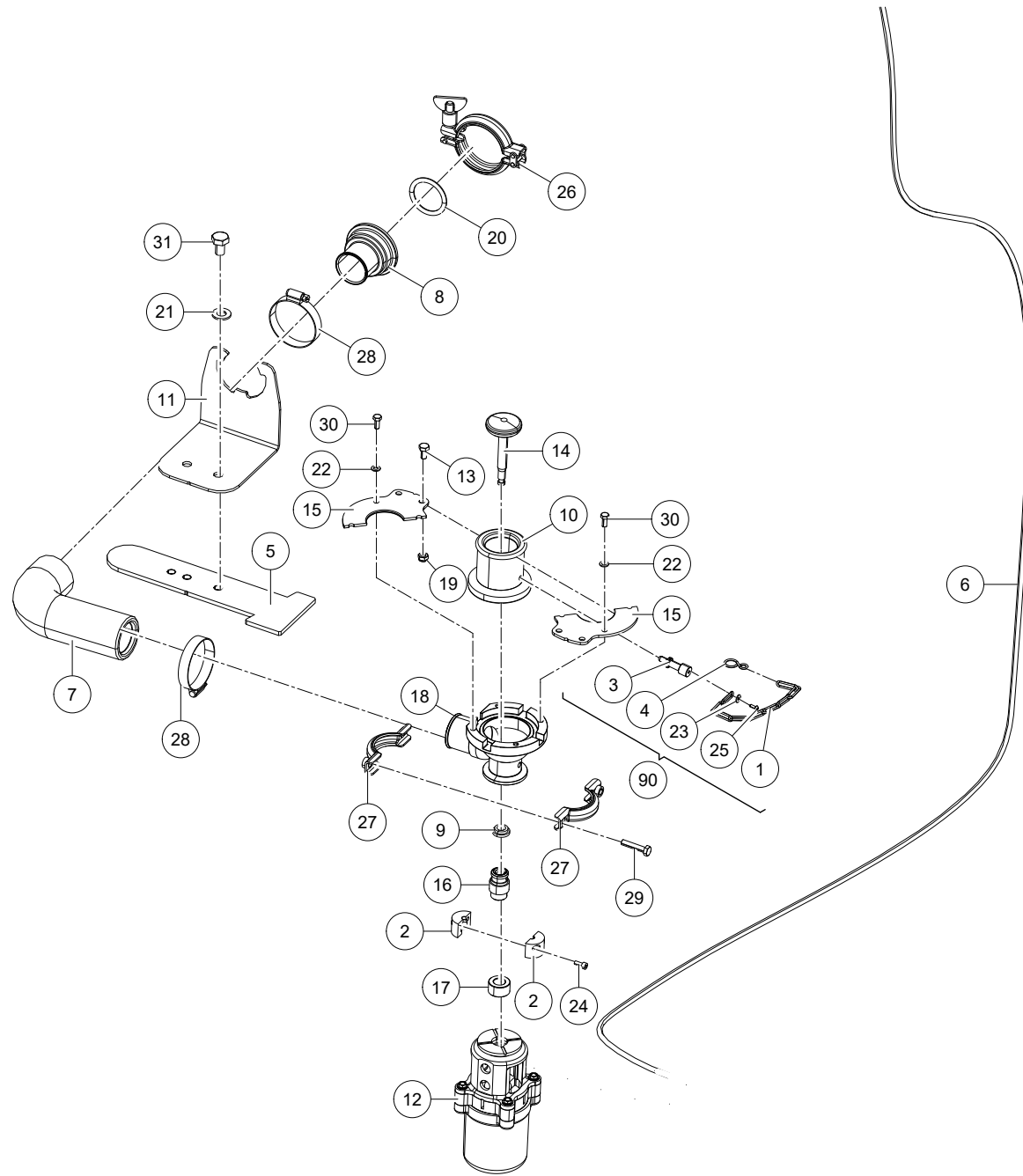
Lely Astronaut A5

Milk Transport

5.1X05.00XX-X

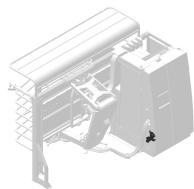
0003242094

Ref.	Part No		Qty.	Description	Techn. info	Criticality	Remark
1	5.1005.2626.0	[R]	1	Bracket		1	
	5.1105.2626.0	[L]	~	Bracket		1	
2	5.1005.2627.0		1	Plate		1	
3	9.1138.0064.5		1	Pneumatic tube	PUN-H Blue 6mm L = 2500	Bulk	
4	9.1022.0124.0		2	Slide bearing		1	
5	9.1029.0026.4		2	Nut	M6 DIN934 A2-2 s/s	Bulk	
6	9.1030.0020.4		4	Nut	M8 DIN985 A2-2 s/s	Bulk	
7	9.1043.0297.0		1	O-ring 37.0x 5.0 DIN11864A	Serie C	1	
8	9.1048.0050.2		3	Washer	A8,4 DIN125-A2 s/s	Bulk	
9	9.1048.0051.3		2	Washer	A10,5 DIN125-A2 s/s	Bulk	
10	9.1057.0053.3		4	S.h. bolt	M5x10 DIN912 s/s	Bulk	
11	9.1057.0153.5		2	Screw	M 6x30 DIN912 s/s		
12	9.1066.0041.3		1	Tri clamp	2"		
13	9.1113.0291.3		2	Bolt	M10x16 DIN933-A2-2 s/s		
14	9.1113.0340.2		1	Bolt	M8x30 DIN933-A2-2 s/s		
15	9.1113.0575.0		3	Bolt	M 8x 35 DIN933 A2-2 s/s		
16	9.1138.0049.4		1	Plug-in coupling	1/8"x6mm (   )	Bulk	
17	9.1138.1158.0		1	Actuator PAMS-0		2	
18	9.1185.1110.0		1	Valve		1	
19	9.1185.1132.0		1	Valve		2	
20	9.1185.1133.0		1	Adapter		1	
21	9.1185.1134.0		1	Gasket		1	
22	9.1185.1135.0		1	Bracket		1	



91 = 27 + 29





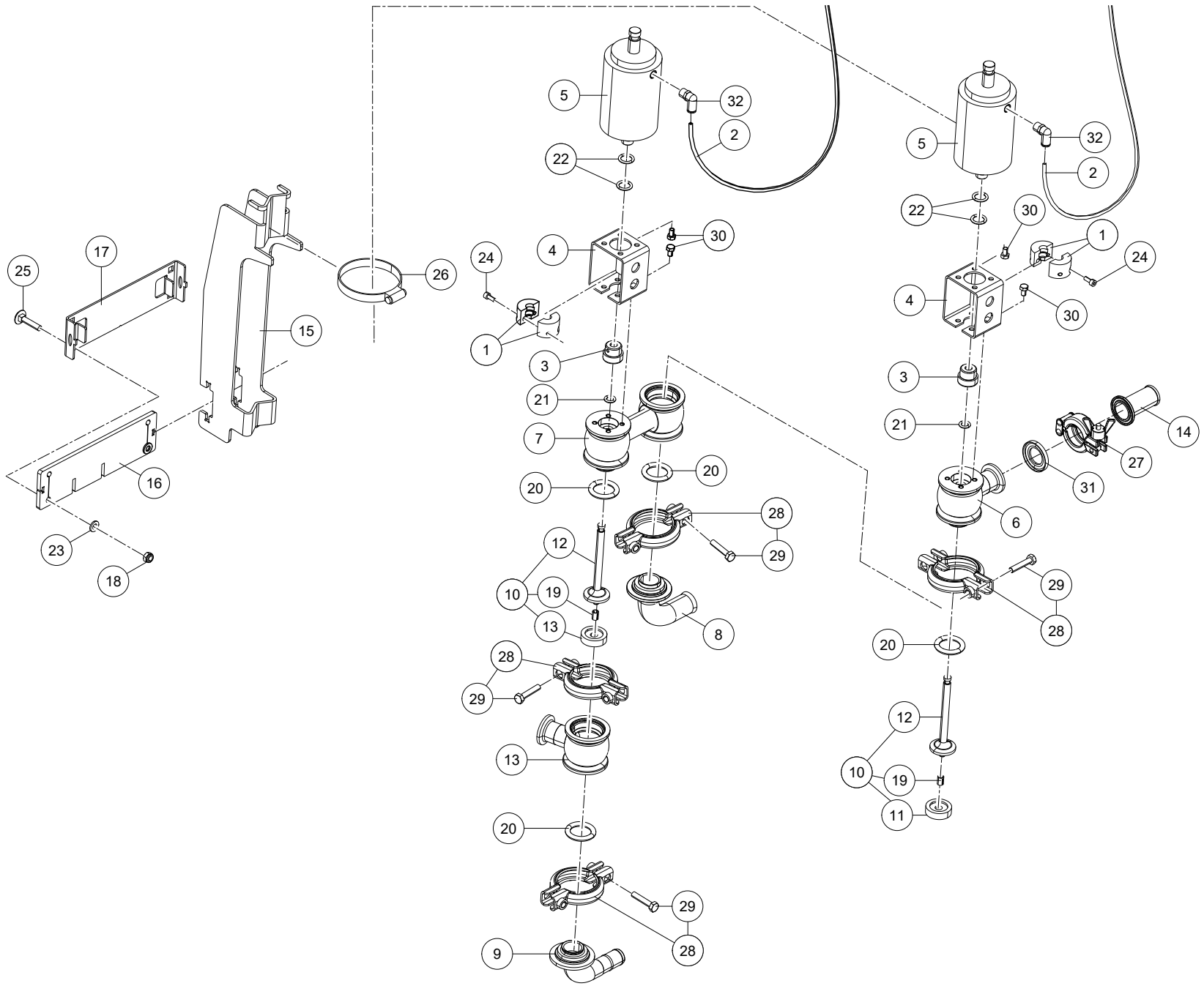
Lely Astronaut A5

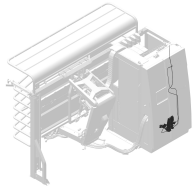
Milk Transport

5.1X05.00XX-X

0003242094

Ref.	Part No	Qty.	Description	Techn. info	Criticality	Remark
1	5.1001.6645.0	1	Chain			
2	5.1003.0574.0	2	Clamping piece		1	
3	5.1005.2477.0	1	Plug		Bulk	
4	9.1147.0009.2	1	S-type hook		1	
5	5.1005.2627.0	1	Plate		Bulk	
6	9.1138.0075.2	1	Tube	Milkjar valve RH		
7	5.1005.3307.0	1	Tube			
8	#####	1	Not separately			
9	5.1005.3324.0	1	Scraper			
10	5.1005.3351.0	1	Cuff			
11	#####	1	Not separately			
12	5.1005.3701.0	1	Actuator		Bulk	
13	9.1113.0488.1	2	Bolt	M6x12 DIN933-A2-2 s/s		
14	5.1005.4071.0	1	Plunger			
15	#####	2	Not separately			
16	5.1005.4073.0	1	Bushing			
17	5.1005.4074.0	1	Stop			
18	#####	1	Housing		Bulk	
19	9.1030.0021.5	2	Nut	M6 DIN985 A2-2 s/s	1	
20	9.1043.0297.0	1	O-ring 37.0x 5.0 DIN11864A	Serie C	Bulk	
21	9.1048.0051.3	2	Washer	A10,5 DIN125-A2 s/s	Bulk	
22	9.1048.0086.3	4	Washer	A5,3 DIN125-A2 s/s		
23	9.1048.0125.0	1	Washer	A 3,2 DIN9021 A2 s/s	Bulk	
24	9.1057.0072.1	2	S.h. bolt	M4x10 DIN912-A2 s/s		
25	9.1064.0106.0	1	Plate screw	2.9x9.5 DIN7981 s/s		
26	9.1066.0041.3	1	Tri clamp	2"		
27	#####	2	Not separately			
28	9.1066.0090.0	2	Hose clamp	ø40-ø60 s/s		
29	9.1113.0165.3	2	Bolt	M6x30 DIN933-A2-2 s/s	Bulk	
30	9.1113.0213.2	4	Bolt	M5x12 DIN933-A2-2 s/s	Bulk	
31	9.1113.0291.3	2	Bolt	M10x16 DIN933-A2-2 s/s		
90	5.1005.2574.0	1	Plug with chain		1	
91	9.1066.0070.4	1	Triclamp NW25-40 asm.			





Lely Astronaut A5

Milk Transport

5.1X05.00XX-X

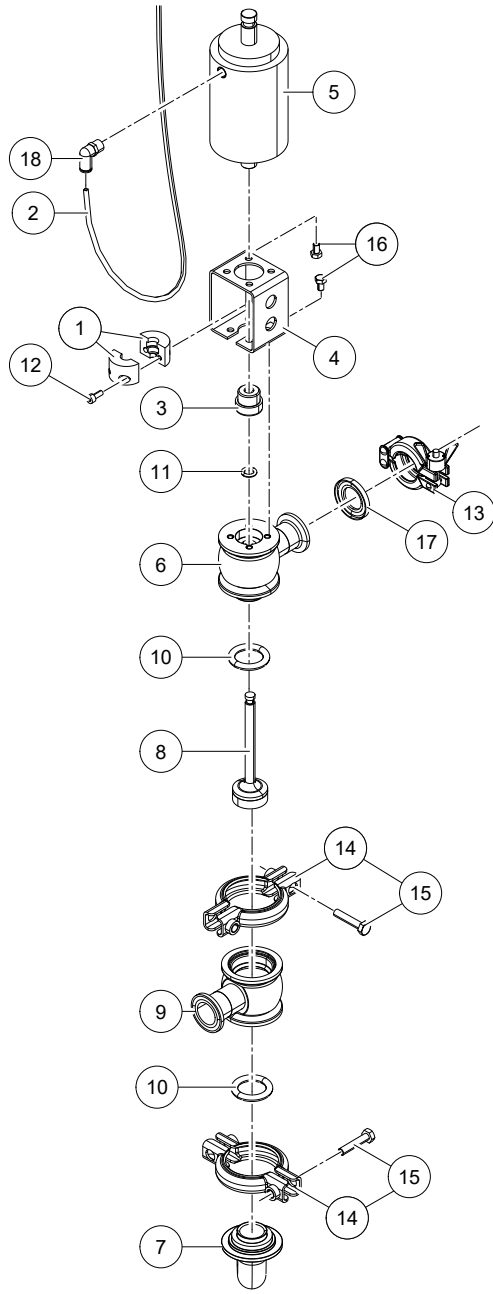
0003242094

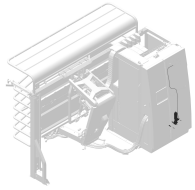
Ref.	Part No	Qty.	Description	Techn. info	Criticality	Remark
1	5.1003.0574.0	4	Clamping piece			
2	9.1138.0062.3	1	Pneumatic tube	ZWART PA 4mm L=3000mm	Bulk	
3	5.1003.7003.0	2	Guide		1	
4	5.1003.7006.0	2	Bracket			
5	5.1003.7007.0	2	Actuator		2	
6	5.1003.7010.0	1	Valve housing (half)			
7	5.1003.7020.0	1	Valve housing (half)		1	
8	5.1003.7030.0	1	Valve housing (half)			
9	5.1003.7040.0	1	Valve housing (half)			
10	5.1003.7340.0	2	Plunger		2	
11	#####	2	Not separately			
12	#####	2	Not separately			
13	5.1003.7530.0	1	Valve housing			
14	5.1004.5852.0	1	Nipple			
15	5.1005.2465.0	1	Plate		1	
16	5.1005.2467.0	1	Plate		1	
17	#####	1	Not separately			
18	9.1030.0021.5	4	Nut	M6 DIN985 A2-2 s/s	Bulk	
19	#####	2	Not separately			
20	9.1043.0141.0	4	O-ring	23,16x5,33 EPDM	Bulk	
21	9.1043.0227.0	2	O-ring	7.78x2.55	Bulk	
22	9.1043.0265.0	4	O-ring	12.37 x 2.62 NBR 70 ° SHORE A NT70.11 A+P 11.2003.1482		
23	9.1048.0090.0	4	Washer	A6,4 DIN125-A2 s/s	Bulk	
24	9.1057.0072.1	4	S.h. bolt	M4x10 DIN912-A2 s/s	Bulk	
25	9.1058.0087.0	4	Coach bolt	M6x30 DIN603 A2-70 s/s		
26	9.1066.0002*6	1	Hose clamp	ø60-ø82		
27	9.1066.0065.6	1	Tri clamp	NW 10/20		
28	9.1066.0070.4	4	Tri clamp	NW25-40		
29	9.1113.0165.3	8	Bolt	M6x30 DIN933-A2-2 s/s	Bulk	
30	9.1113.0482.2	12	Bolt	M5x8 DIN933-A2-2 s/s		
31	9.1130.0028.3	1	Tri clamp		Bulk	
32	9.1138.0089.2	2	Plug-in coupling	1/8"x4mm ( _)	Bulk	

D000373-007

3-Way Valve

A-8





Lely Astronaut A5

Milk Transport

5.1X05.00XX-X

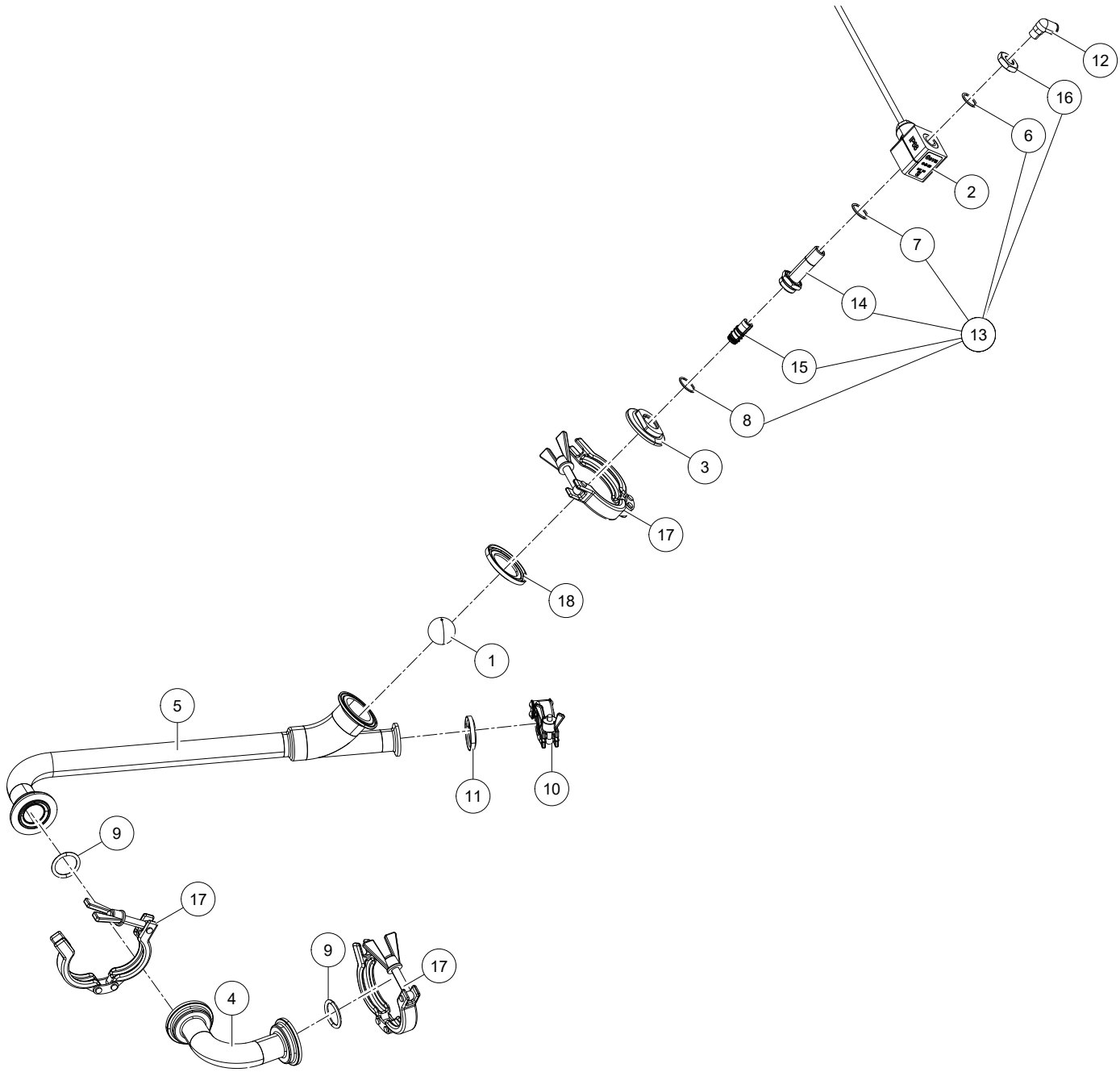
0003242094

Ref.	Part No	Qty.	Description	Techn. info	Criticality	Remark
1	5.1003.0574.0	2	Clamping piece			
2	9.1138.0062.3	1	Pneumatic tube	ZWART PA 4mm L=3000mm	Bulk	
3	5.1003.7003.0	1	Guide		1	
4	5.1003.7006.0	1	Bracket			
5	5.1003.7007.0	1	Actuator		2	
6	5.1003.7010.0	1	Valve housing (half)			
7	5.1003.7030.0	1	Valve housing (half)			
8	5.1003.7340.0	1	Plunger		2	
9	5.1003.7530.0	1	Valve housing			
10	9.1043.0141.0	1	O-ring	23,16x5,33 EPDM	Bulk	
11	9.1043.0227.0	1	O-ring	7.78x2.55	Bulk	
12	9.1057.0072.1	2	S.h. bolt	M4x10 DIN912-A2 s/s	Bulk	
13	9.1066.0065.6	1	Tri clamp	NW 10/20		
14	9.1066.0070.4	2	Tri clamp	NW25-40		
15	9.1113.0165.3	3	Bolt	M6x30 DIN933-A2-2 s/s	Bulk	
16	9.1113.0482.2	6	Bolt	M5x8 DIN933-A2-2 s/s		
17	9.1130.0028.3	1	Tri clamp		Bulk	
18	9.1138.0089.2	1	Plug-in coupling	1/8"x4mm ( _)	Bulk	

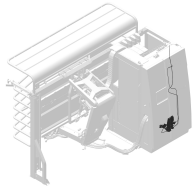
D000374-003

Milk Valve

A-9







Lely Astronaut A5

Milk Transport

5.1X05.00XX-X

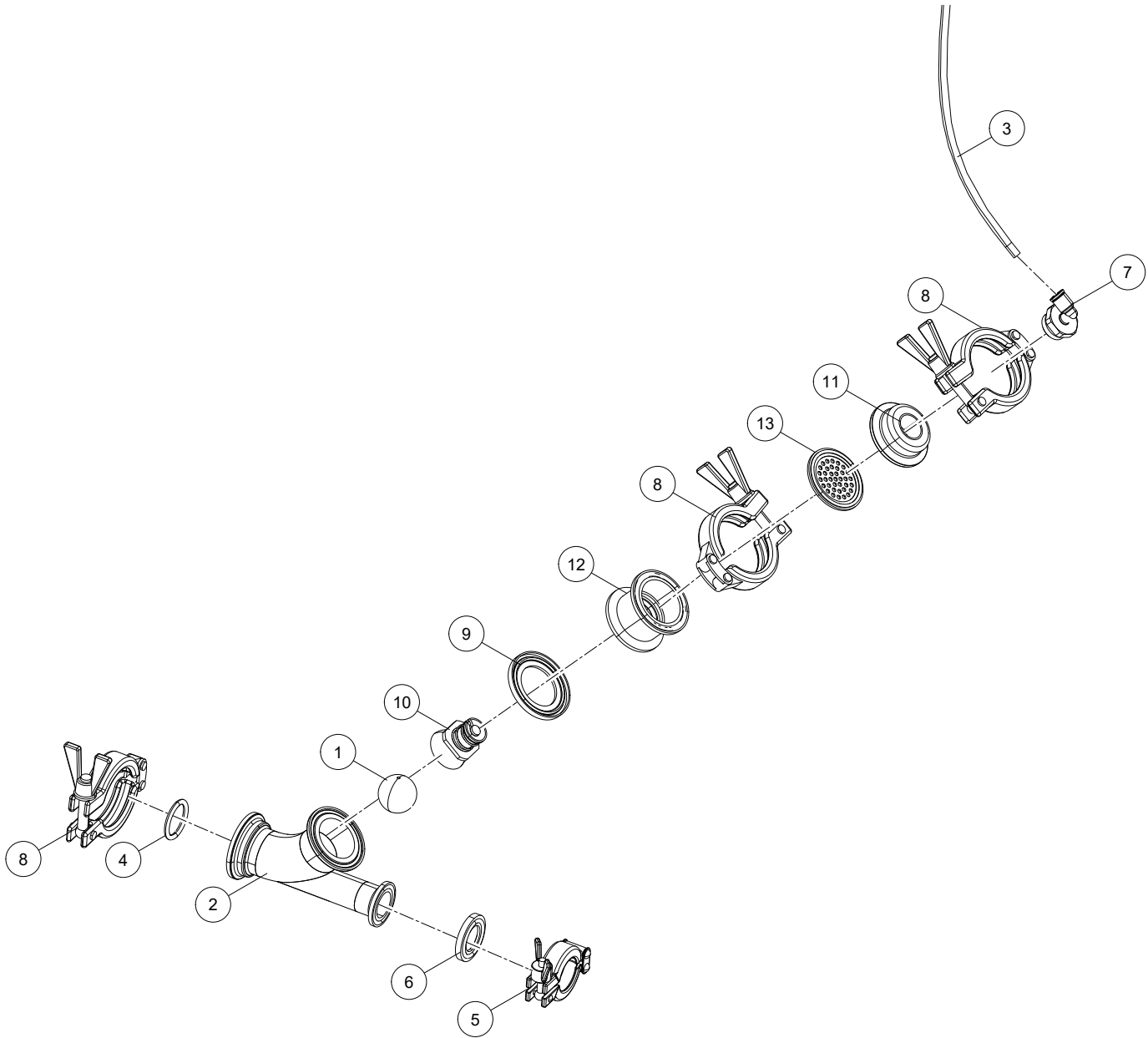
0003242094

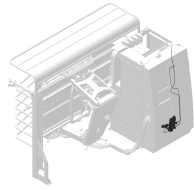
Ref.	Part No	Qty.	Description	Techn. info	Criticality	Remark
1	5.1004.0920.0	1	Ball			
2	5.1005.2138.0	1	Solenoid	With Cable and M12 Connector		
3	5.1005.2460.0	1	Adapter			
4	5.1005.2568.0	1	Bend weld.pp			
5	5.1005.2765.0	1	Non-return valve weld.pp			
6	9.1043.0120.0	1	O-ring	1,6x7,78 Viton		
7	9.1043.0121.1	1	O-ring	17,17x1,78 Viton		
8	9.1043.0122.2	1	O-ring	18x1,5 Viton		
9	9.1043.0298.0	2	O-ring	24.0 x 3.5 DIN11864A SERIE C		
10	9.1066.0065.6	1	Tri clamp	NW 10/20		
11	9.1130.0028.3	1	Tri clamp			
12	9.1138.0049.4	1	Plug-in coupling	1/8"x6mm (   )		
13	9.1138.0814.4	1	Coupling			
14	9.1138.0814.4	1	Coupling			
15	9.1138.0816.6	1	Valve	2-2-2019		
16	9.1138.0817.0	1	Nut			
17	9.1185.0189.4	3	Clamp			
18	9.1185.1131.0	1	Tri-clamp			

D000684-001

Blow Empty Valve (LH) Type - 1

A-10

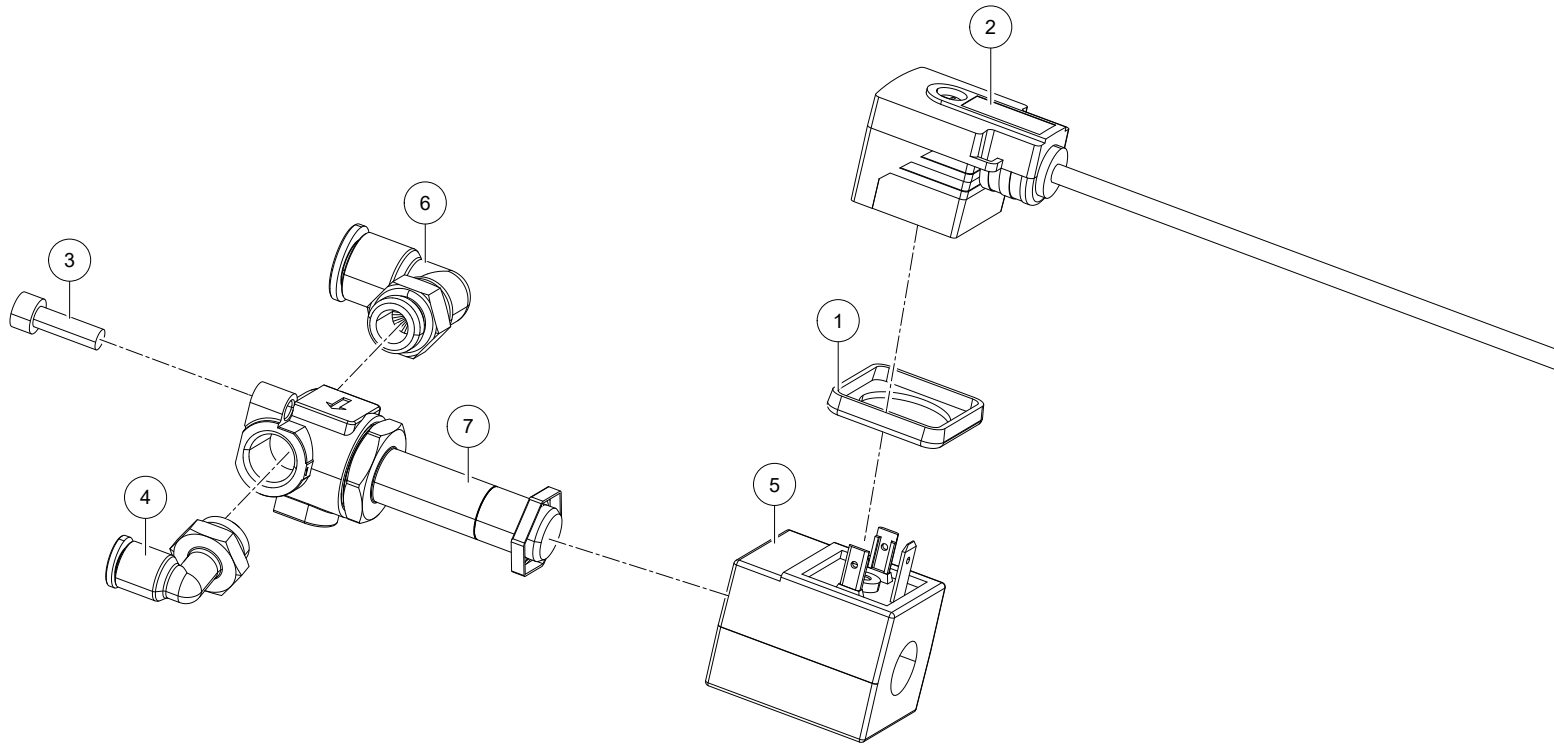




Lely Astronaut A5 Milk Transport 5.1X05.00XX-X 0003242094

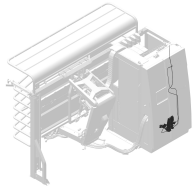
Ref.	Part No	Qty.	Description	Techn. info	Criticality	Remark
1	5.1004.0920.0	1	Ball		1	
2	5.1005.2461.0	1	Non-return valve weld.pp		1	
3	9.1138.0064.5	1	Tube	PUN-H Blue 6mm L = 2800	Bulk	
4	9.1043.0298.0	1	O-ring	24.0 x 3.5 DIN11864A SERIE C	1	
5	9.1066.0065.6	1	Tri clamp	NW 10/20		
6	9.1130.0028.3	1	Tri clamp		Bulk	
7	9.1138.1243.0	1	Push-pull nipple	PL 06-G04		
8	9.1185.0189.4	3	Clamp			
9	9.1185.1131.0	1	Tri-clamp		1	
10	9.1189.0302.0	1	Kit	Blow Empty Milk Line Components		
11	#####	1	Not separately			
12	#####	1	Not separately			
13	9.1189.0305.0	1	Gasket			





$$90 = 4 + 5 + 6 + 7$$

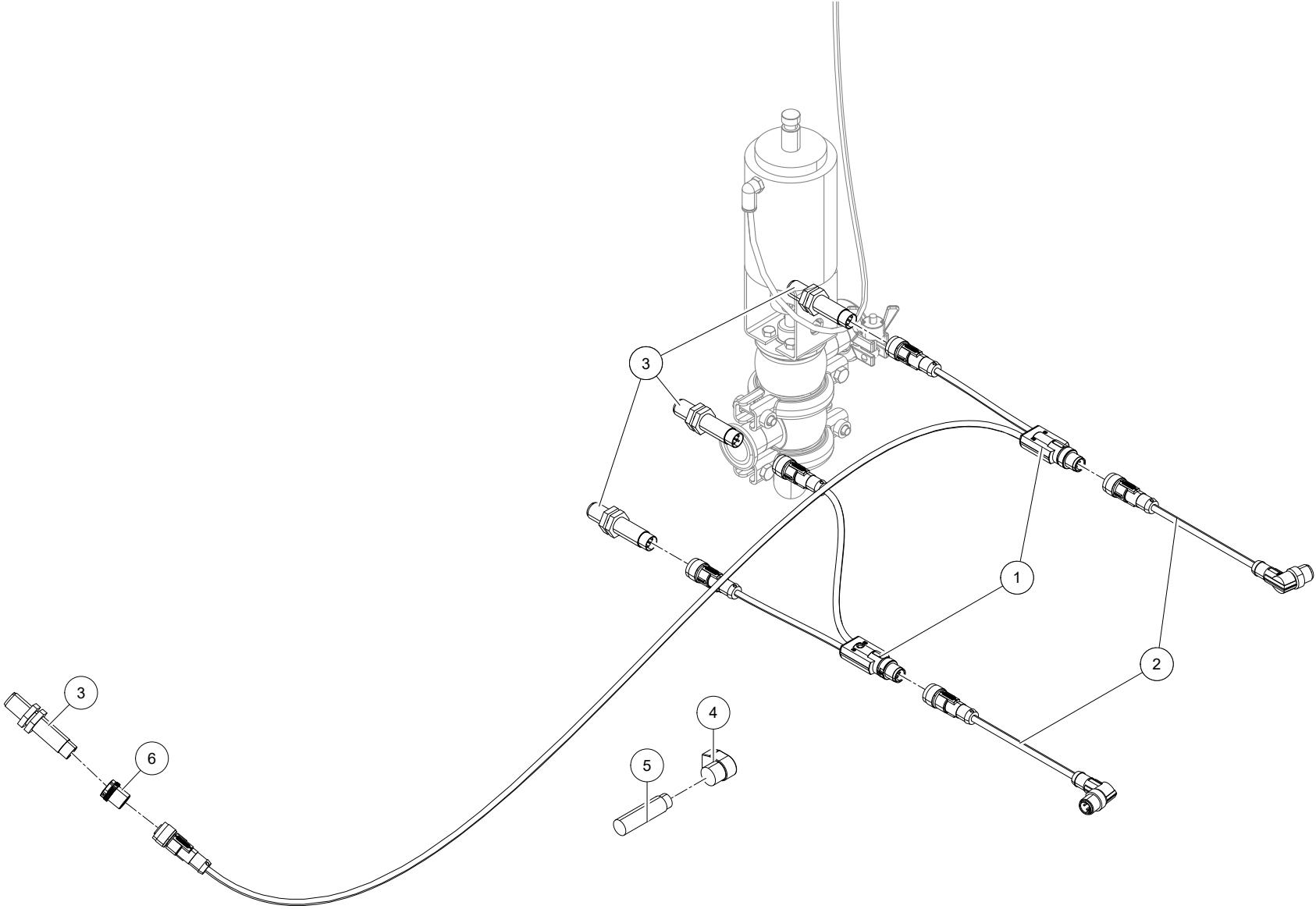


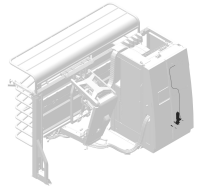


Lely Astronaut A5      Milk Transport      5.1X05.00XX-X      0003242094

Ref.	Part No	Qty.	Description	Techn. info	Criticality	Remark
1	9.1138.1220.0	1	Gasket	Solenoid Connector DIN 43650 Type A		
2	6.2001.1099.0	1	Cable	SAC-3P-MR/1,5-PUR/A-1L-Z SCO		
3	9.1057.0066.2	2	S.h. bolt	M5x16 DIN912-A2 s/s	Bulk	
4	9.1138.0017.0	1	Plug-in coupling	1/4"x6mm (┘)	Bulk	
5	9.1138.0810.0	1	Coil		2	
6	9.1138.1078.0	1	Plug-in coupling	1/4" x 10mm (┘)		
7	#####	1	Not separately			
90	5.1005.3417.0	1	Valve	Solenoid 4 mm orifice		



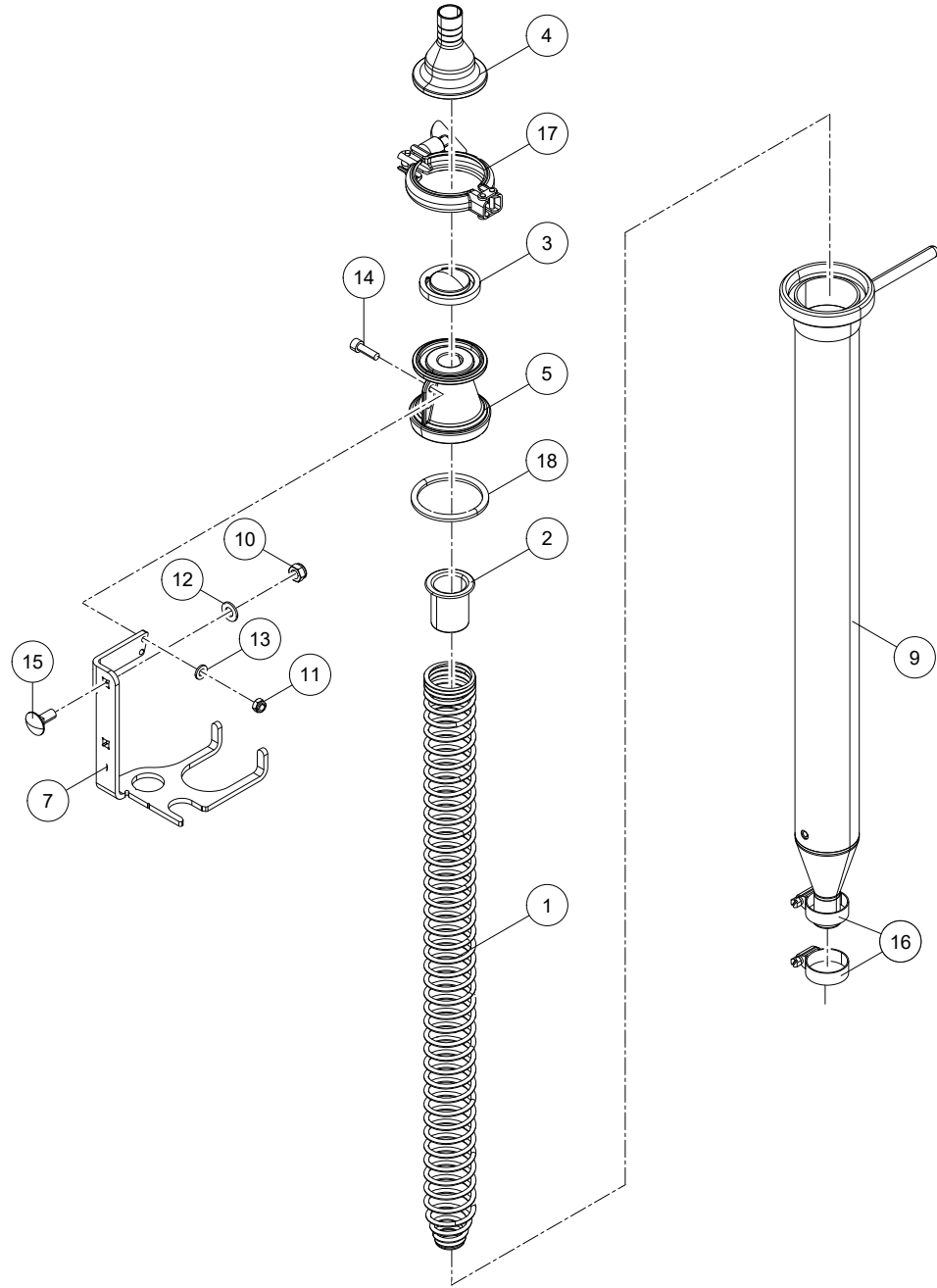




Lely Astronaut A5 Milk Transport 5.1X05.00XX-X 0003242094

Ref.	Part No	Qty.	Description	Techn. info	Criticality	Remark
1	6.2001.1012.0	2	Cable		2	
2	6.2001.1019.0	2	Cable		2	
3	9.1183.0066.0	4	Sensor with M12 connector		2	
4	9.1185.0776.5	1	Plug	24Vdc	2	
5	9.1185.0781.3	1	Switch		2	
6	9.1186.1059.0	1	Plug	M12 screw plug SPEEDCON		





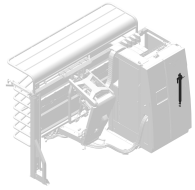
D000388-001

Milk Filter

B-1







Lely Astronaut A5

Milk Transport

5.1X05.00XX-X

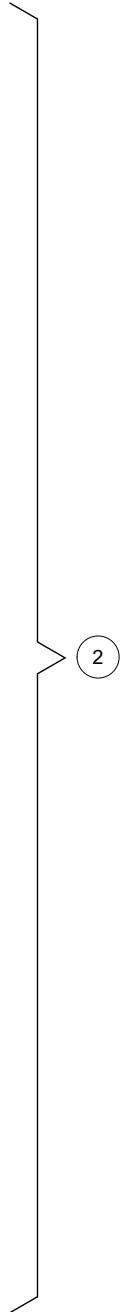
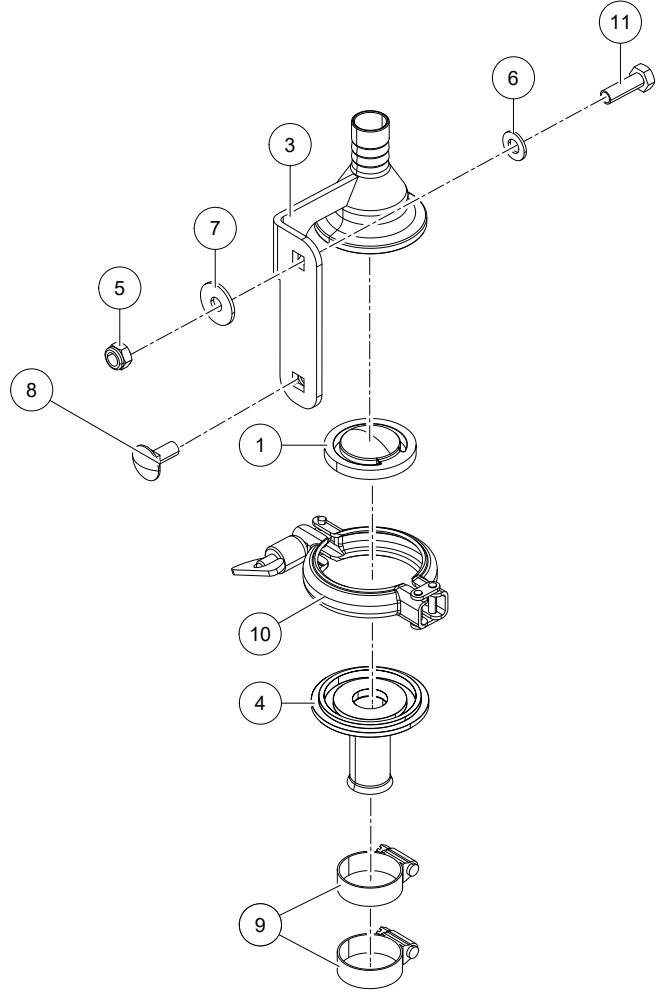
0003242094

Ref.	Part No	Qty.	Description	Techn. info	Criticality	Remark
1	5.1002.6692.0	1	Spring		1	
2	5.1002.7108.0	1	Insert		Bulk	
3	5.1003.0373.0	1	Valve		2	
4	5.1003.1356.0	1	Welding nipple			
5	5.1003.1357.0	1	Housing			
6	5.1003.1359.0	1	Swivel nut			
7	5.1003.1473.0	1	Bracket			
8	5.1003.6061.0	1	Milk filter			
9	5.1003.6160.0	1	Filter housing			
10	9.1030.0020.4	2	Nut	M8 DIN985 A2-2 s/s	Bulk	
11	9.1030.0021.5	2	Nut	M6 DIN985 A2-2 s/s	Bulk	
12	9.1048.0050.2	2	Washer	A8,4 DIN125-A2 s/s	Bulk	
13	9.1048.0090.0	2	Washer	A6,4 DIN125-A2 s/s	Bulk	
14	9.1057.0092.0	2	S.h. bolt	M6x20 DIN912-A2 s/s	Bulk	
15	9.1058.0032.2	2	Coach bolt	M8x20 DIN603 s/s	Bulk	
16	9.1066.0021.4	2	Hose clamp	ø25-ø35 s/s	Bulk	
17	9.1066.0041.3	1	Tri clamp	2"		
18	9.1185.0092.5	1	O-ring	NW50	Bulk	

D000388-001

Milk Filter

B-1

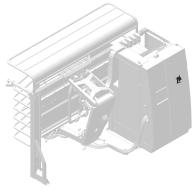


D000388-002

Valve

B-2





Lely Astronaut A5

Milk Transport

5.1X05.00XX-X

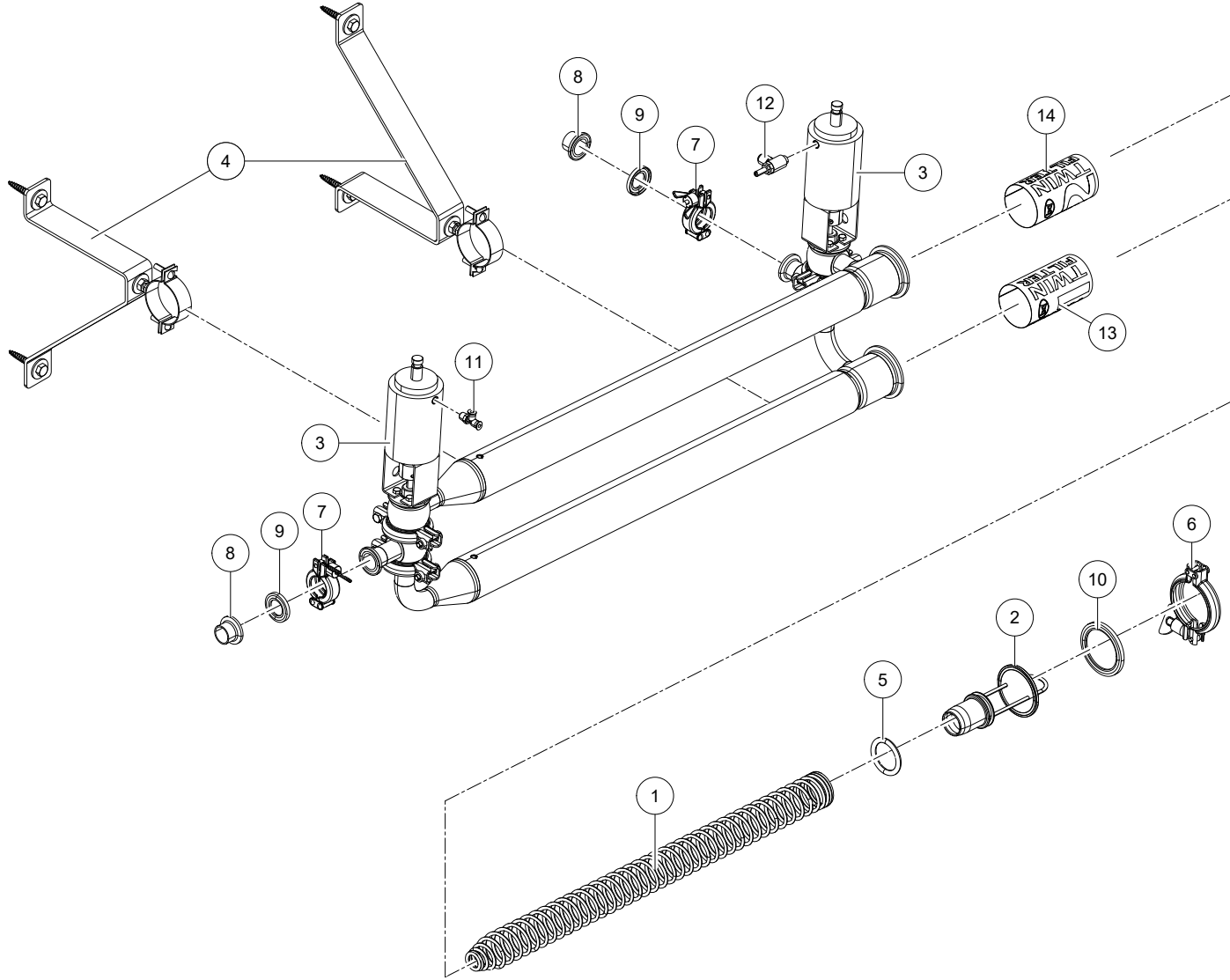
0003242094

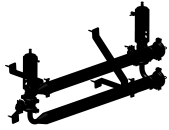
Ref.	Part No	Qty.	Description	Techn. info	Criticality	Remark
1	5.1003.0373.0	1	Valve		2	
2	5.1003.7240.0	1	Non-return valve			
3	5.1003.7250.0	1	Valve housing (half)			
4	5.1003.7260.0	1	Valve housing (half)			
5	9.1030.0020.4	2	Nut	M8 DIN985 A2-2 s/s	Bulk	
6	9.1048.0050.2	2	Washer	A8,4 DIN125-A2 s/s	Bulk	
7	9.1048.0052.4	2	Washer	A8,4 DIN9021-A2 s/s	Bulk	
8	9.1058.0032.2	2	Coach bolt	M8x20 DIN603 s/s	Bulk	
9	9.1066.0021.4	2	Hose clamp	ø25-ø35 s/s	Bulk	
10	9.1066.0041.3	1	Tri clamp	2"		
11	9.1113.0167.5	2	Bolt	M8x25 DIN933-A2-2 s/s	Bulk	

D000388-002

Valve

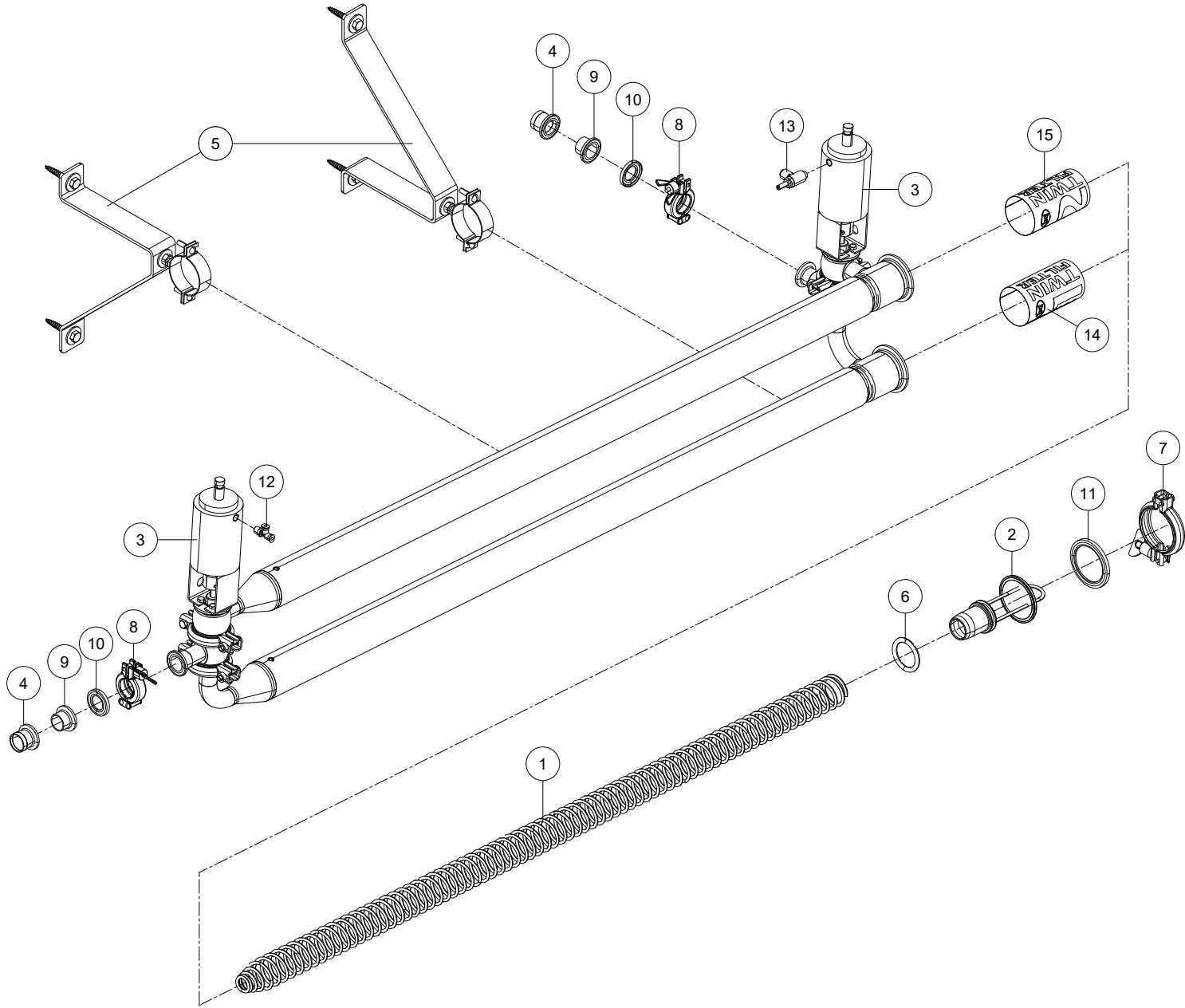
B-2

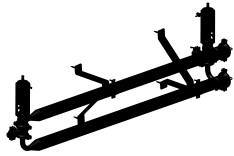




Ref.	Part No	Qty.	Description	Techn. info	Criticality	Remark
1	5.1002.6692.0	2	Spring		1	
2	5.1003.6631.0	2	Blindferule nw50 weld.pp			
3	5.1003.7620.0	2	Milk valve ass.			(see page 40)
4	5.1004.5244.0	1	Bracket for twinfilter ass.			(see page 42)
5	9.1043.0282.0	2	O-ring	35 x 6 NBR 366237 50° SHORE		
6	#####	2	Not separately			
7	9.1066.0065.6	2	Tri clamp	NW 10/20		
8	9.1130.0026.1	2	Tri clamp	NW20		
9	9.1130.0028.3	2	Tri clamp		Bulk	
10	9.1137.0420.3	2	Tri clamp		1	
11	9.1138.0196.4	1	Plug-in coupling	1/8"-4-4mm (T)		
12	9.1138.0944.0	1	Speedcontrol valve		1	
13	#####	1	Not separately			
14	#####	1	Not separately			

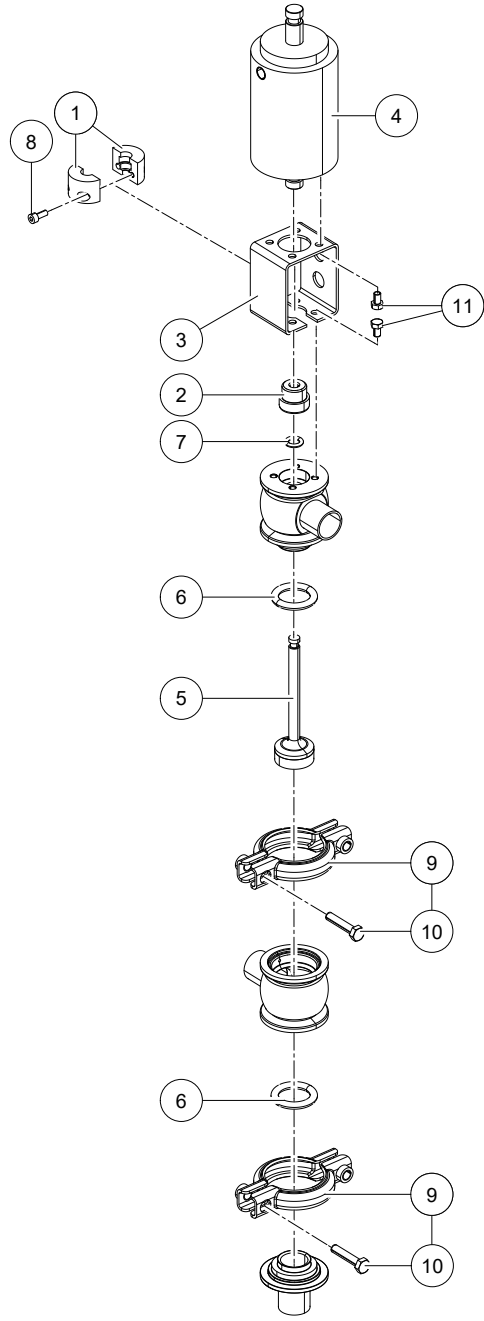






Ref.	Part No	Qty.	Description	Techn. info	Criticality	Remark
1	5.1003.0602.0	2	Spring			
2	5.1003.6631.0	2	Holder			
3	5.1003.7620.0	2	Milk valve ass.			(see page 40)
4	5.1003.7769.0	1	Tube reducer			
5	5.1004.5468.0	1	Bracket for twinfilter ass.			(see page 42)
6	9.1043.0282.0	2	O-ring	35 x 6 NBR 366237 50° SHORE		
7	#####	2	Not separately			
8	9.1066.0065.6	1	Tri clamp	NW 10/20		
9	9.1130.0026.1	1	Tri clamp	NW20		
10	9.1130.0028.3	1	Tri clamp		Bulk	
11	9.1137.0420.3	2	Tri clamp		1	
12	9.1138.0196.4	1	Plug-in coupling	1/8"-4-4mm (T)		
13	9.1138.0944.0	1	Speedcontrol valve		1	
14	#####	1	Not separately			
15	#####	1	Not separately			





90

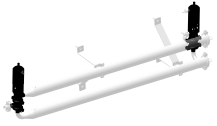
D000388-005

Valve

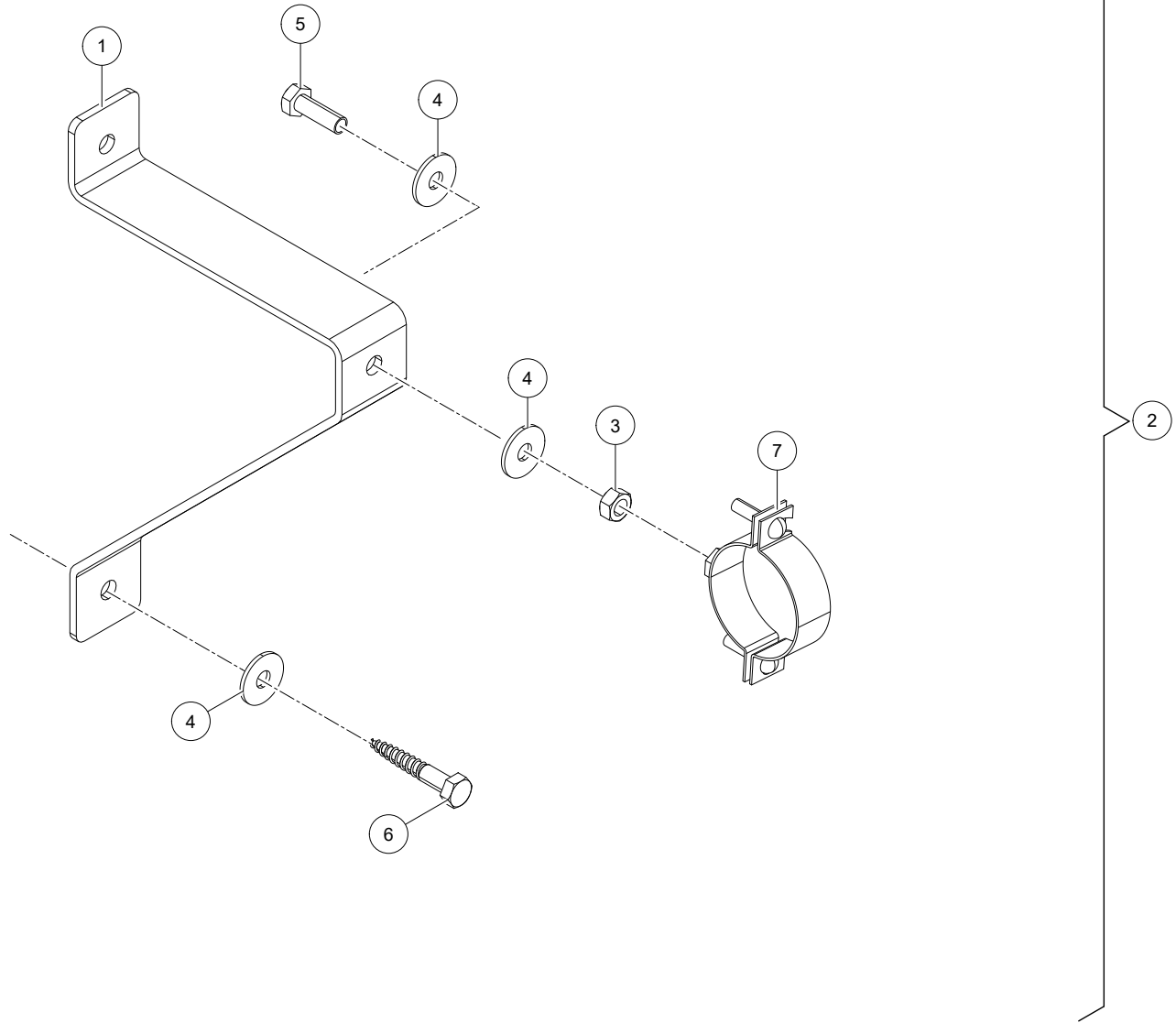
B-5







Ref.	Part No	Qty.	Description	Techn. info	Criticality	Remark
1	5.1003.0574.0	2	Clamping piece			
2	5.1003.7003.0	1	Guide		1	
3	5.1003.7006.0	1	Bracket			
4	5.1003.7007.0	1	Actuator		2	
5	5.1003.7340.0	1	Plunger		2	
6	9.1043.0141.0	2	O-ring	23,16x5,33 EPDM	Bulk	
7	9.1043.0227.0	1	O-ring	7.78x2.55	Bulk	
8	9.1057.0072.1	2	S.h. bolt	M4x10 DIN912-A2 s/s	Bulk	
9	9.1066.0070.4	2	Tri clamp	NW25-40		
10	9.1113.0165.3	4	Bolt	M6x30 DIN933-A2-2 s/s	Bulk	
11	9.1113.0482.2	6	Bolt	M5x8 DIN933-A2-2 s/s		
90	5.1003.7620.0	1	Milk valve ass.			

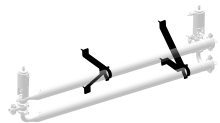


D000388-006

Bracket

B-6





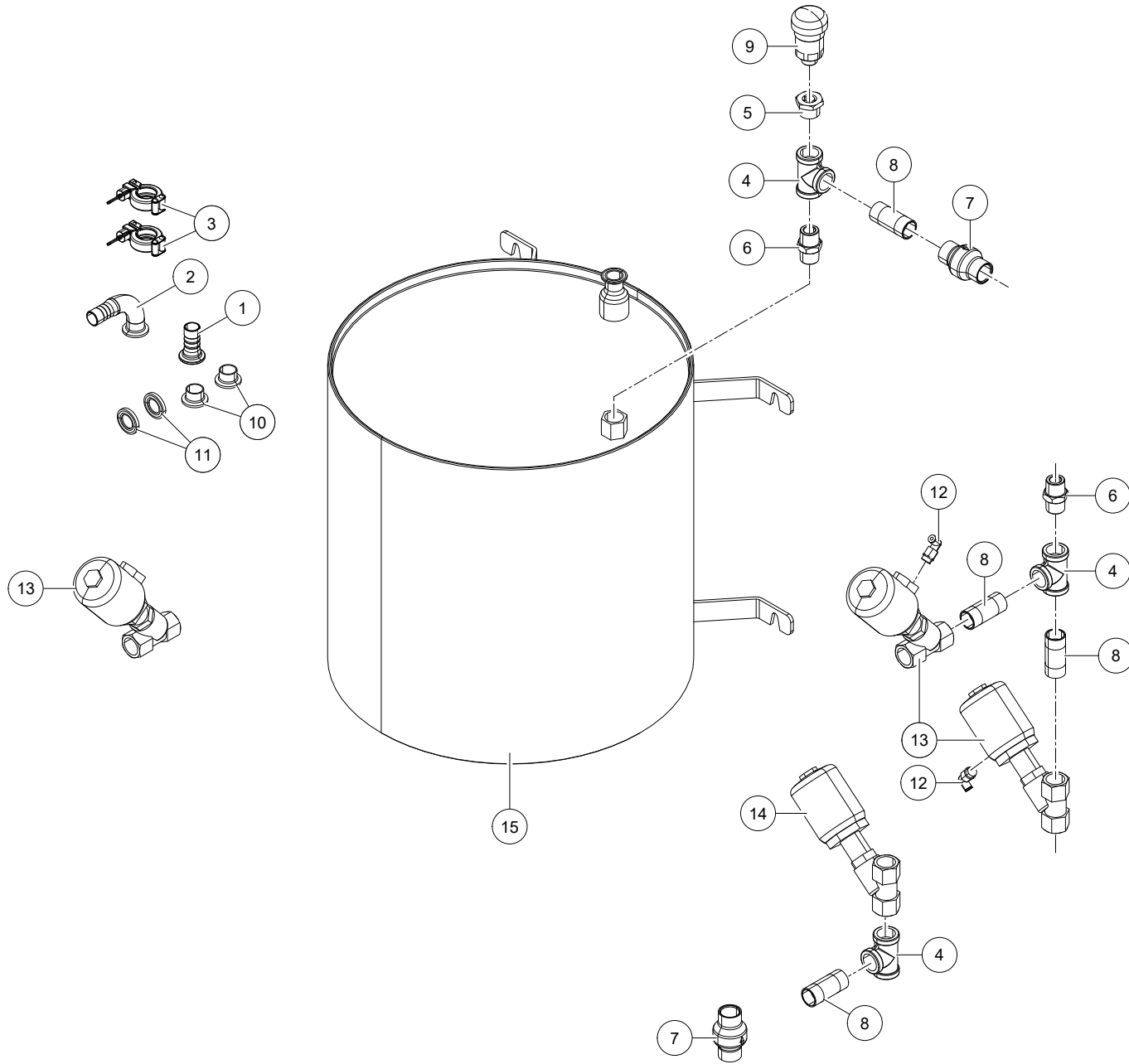
Ref.	Part No	Qty.	Description	Techn. info	Criticality	Remark
1	5.1004.5241.0	2	Plate			
2	5.1004.5244.0	2	Plate			
3	9.1029.0029.0	2	Nut	M8 DIN934 A2-2 s/s	Bulk	
4	9.1048.0052.4	8	Washer	A8,4 DIN9021-A2 s/s	Bulk	
5	9.1113.0167.5	2	Bolt	M8x25 DIN933-A2-2 s/s	Bulk	
6	9.1114.0039.2	4	Bolt	M8x50 DIN571 rvs A2		
7	9.1137.1012.0	2	Bracket			

D000388-006

Bracket

B-6



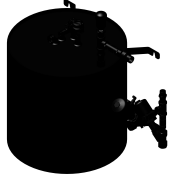


D000389-001

Precooler

C-1





Lely Astronaut A5

Milk Transport

5.1X05.00XX-X

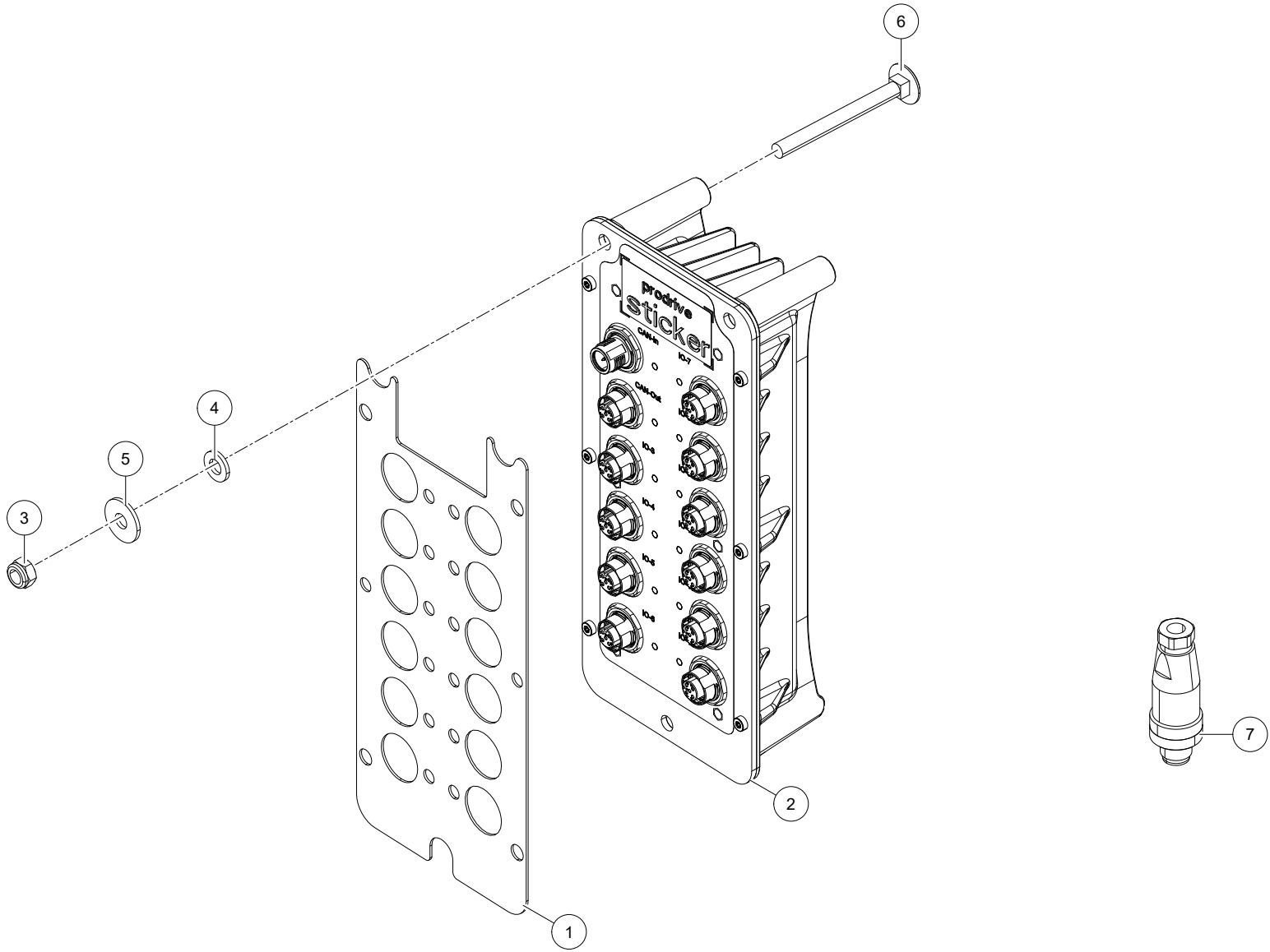
0003242094

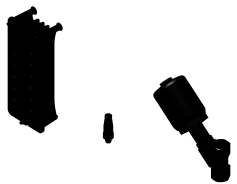
Ref.	Part No	Qty.	Description	Techn. info	Criticality	Remark
1	5.1004.5853.0	1	Nipple			
2	5.1080.0731.0	1	Milk hose connection 90° weld.			
3	9.1066.0065.6	2	Tri clamp	NW 10/20		
4	9.1129.0063.4	3	T-piece			
5	9.1129.0086.6	1	Reduction ring 1/2"-3/4"	AISI316		
6	9.1129.0087.0	2	Doubler nipple	3/4" AISI316		
7	9.1129.0114.0	2	Valve	3/4"	1	
8	9.1129.0121.0	4	Pipe nipple G3/4" L=60 S/S 331			
9	9.1129.0122.0	1	Aerator	1/2" SEPPELFRICKE ART NR. 0488180 DN15		
10	9.1130.0026.1	2	Tri clamp	NW20		
11	9.1130.0028.3	2	Tri clamp		Bulk	
12	9.1138.0289.5	2	Plug-in coupling	1/4"x4mm (┘)		
13	9.1138.1044.0	3	Valve NC 3/4" s/s 316		1	
14	9.1138.1057.0	1	Valve NO 3/4" s/s 316		1	
15	9.1187.0002.4	1	Compact tube cooler			

D000389-001

Precooler

C-1





Lely Astronaut A5 Milk Transport 5.1X05.00XX-X 0003242094

Ref.	Part No	Qty.	Description	Techn. info	Criticality	Remark
1	5.1005.3050.0	1	Label		1	
2	6.2001.0275.0	1	Module		2	
3	9.1030.0021.5	3	Nut	M6 DIN985 A2-2 s/s	Bulk	
4	9.1048.0090.0	3	Washer	A6,4 DIN125-A2 s/s	Bulk	
5	9.1048.0095.5	3	Washer	A6,4 DIN9021-A2 s/s	Bulk	
6	9.1058.0059.1	3	Coach bolt	M6x65 DIN603-A2 s/s		
7	9.1186.1067.0	1	Connector M12 A		2	

D000389-002

GIOB

C-2





INTENTIONALLY BLANK





**Lely Industries N.V.**

Cornelis van der Lelylaan 1

NL-3147 PB Maassluis

Tel +31 (0)88 - 12 28 221

Fax +31 (0)88 - 12 28 222

