

Lely Astronaut

Central Unit

Central Control Box



Parts list

5.1005.8565.0 D

English Original





INTENTIONALLY BLANK

Preface

Applicability

Type number:	As from serial number:
5.1004.0602-2XX	0003242507
5.1005.2XXX-XXX	0003242507

Spare Parts

When ordering spare parts it is important that you are aware of the type and serial number of your machine. Use only genuine LELY parts.

Criticality

Criticality = Bulk, 0, 1, 2

- Bulk = Bulk item.
- 0 = Not critical.
- 1 = Not very critical.
- 2 = Critical.

Explanation of Signs Used in the Parts List

[R] / [RH]	By RH or LH version the position of the part is meant, seen from the rear of the machine.
[L] / [LH]	
[~]	E.g.: LH version is not similar to the RH version, which is actually shown.
[#]	Not available seperately.

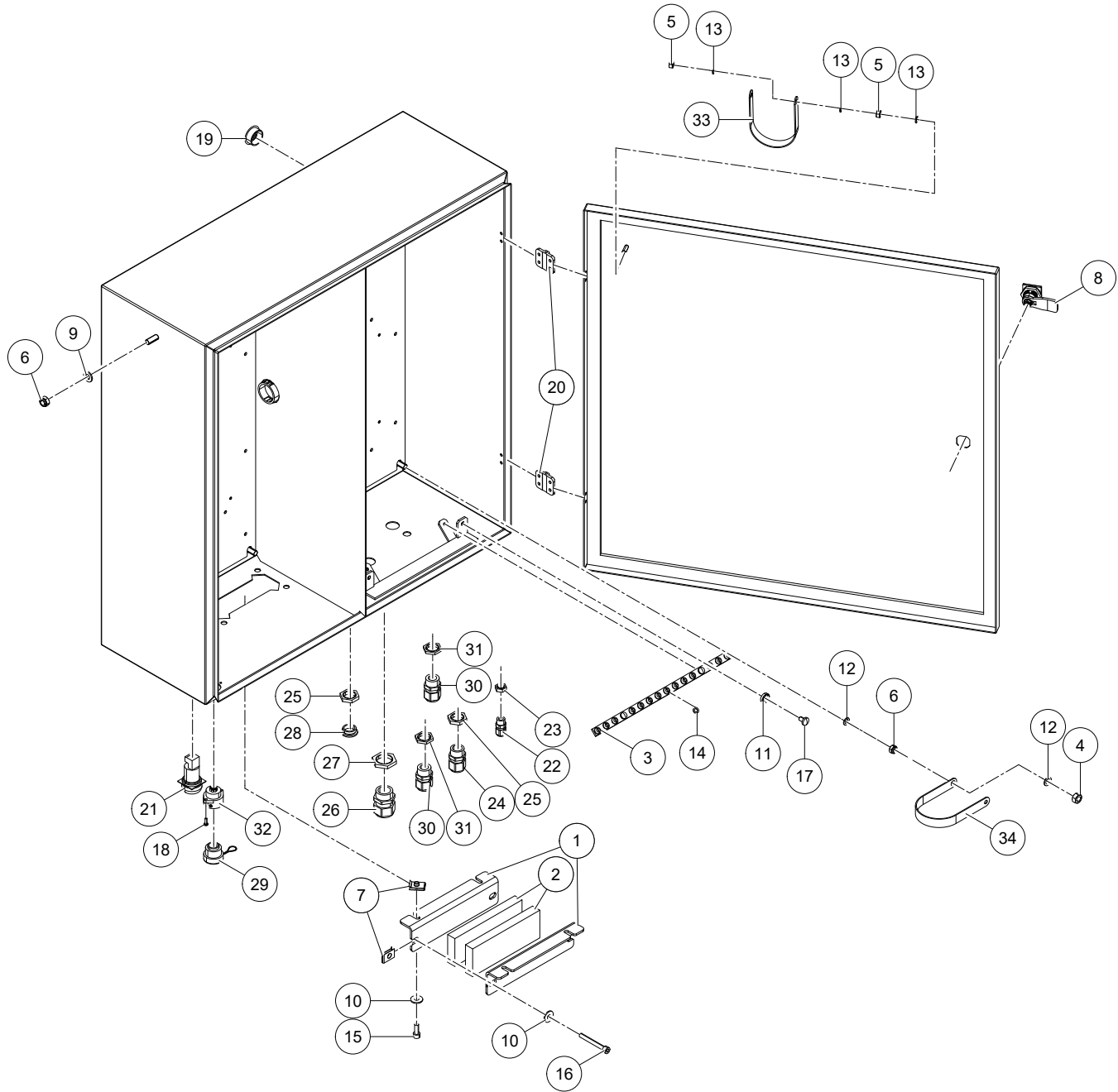


INTENTIONALLY BLANK



Table of Contents

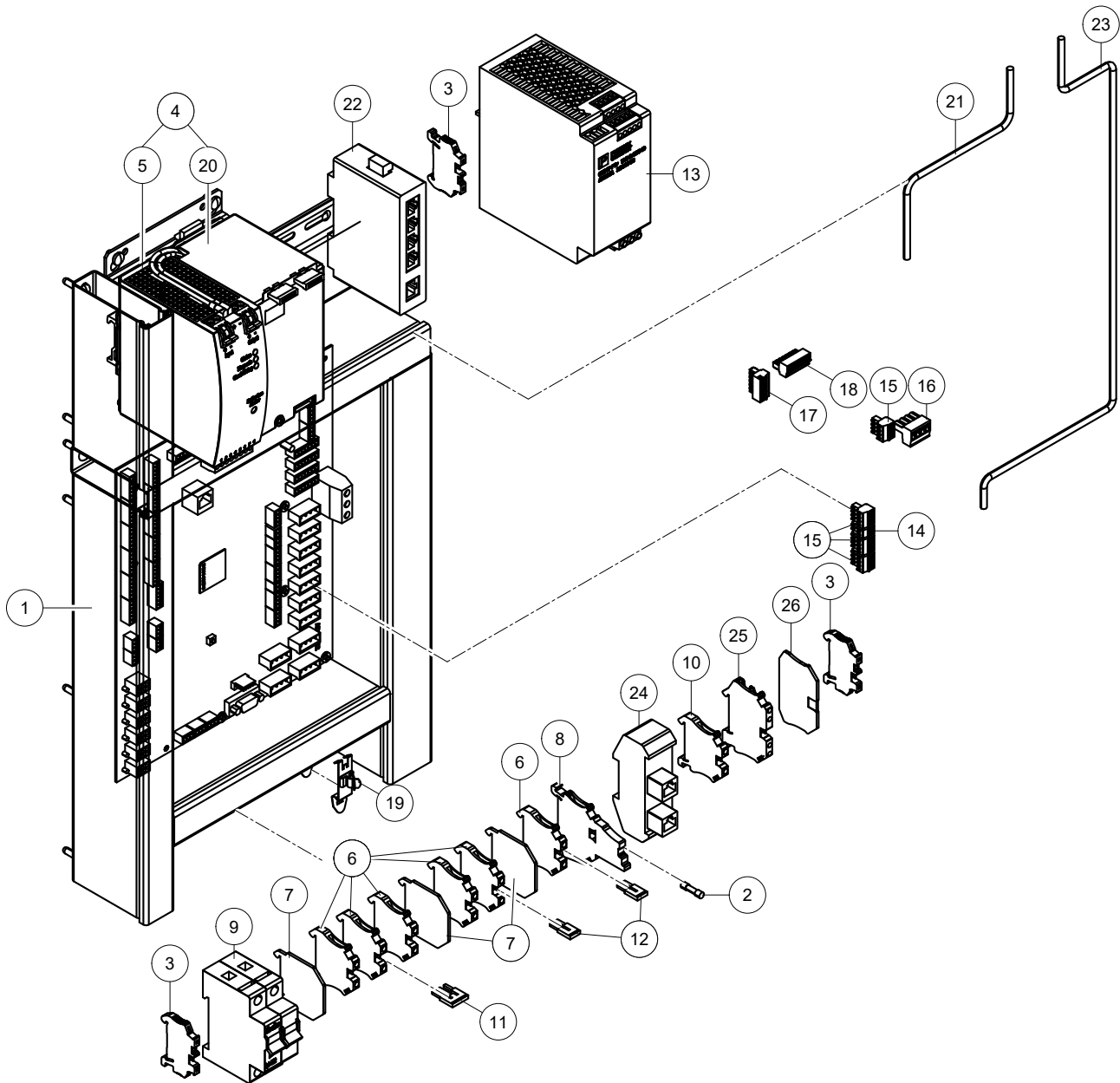
A	Central Control Box Components	6
A-1	Cabinet	6
A-2	Components (24 VDC)	8
B	Central Control Box 1Phn 230VAC	10
B-1	Plate 1PhN 230VAC	10
B-2	Components (230 VAC) 1PhN 230VAC	12
C	Central Control Box 3Phn 230/400VAC	14
C-1	Plate 3PhN 230/400VAC	14
C-2	Components (230 VAC VDC) 3PhN 230/400VAC	16
D	Central Control Box 2Ph 240VAC SP	18
D-1	Plate 2Ph 240VAC SP	18
D-2	Components (240 VAC) 2Ph 240VAC SP	20
E	Central Control Box 3Ph 200/230VAC	22
E-1	Plate 3Ph 200/230VAC	22
E-2	Components (200/230 VAC) 3Ph 200/230VAC	24

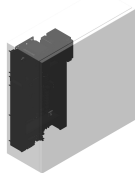




Astronaut A5	Central	5.1004.0602-2XX	0003242507
	Control Box	5.1005.2XXX-XXX	0003242507
	Central		
	Control Box		

Ref.	Part No	Qty.	Description	Techn. info	Criticality	Remark
1	5.1003.1371.0	2	Clamping plate			
2	5.1003.1372.0	2	Foam tape			
3	5.1004.1400.0	1	Strip			
4	9.1029.0004*3	2	Nut	M8 DIN934-8		
5	9.1029.0026.4	6	Nut	M6 DIN934 A2-2 s/s		
6	9.1030.0020.4	10	Nut	M8 DIN985 A2-2 s/s		
7	9.1036.0039.3	6	Speed nut	M6 s/s		
8	9.1039.0023.0	1	Lock			
9	9.1048.0050.2	3	Washer	A8,4 DIN125-A2 s/s		
10	9.1048.0095.5	6	Washer	A6,4 DIN9021-A2 s/s		
11	9.1048.0127.0	4	O-ring	Rozetring 6.4x15x4 zwart		
12	9.1051.0001.6	10	Serr.lock washer	A8,2 DIN6798		
13	9.1051.0006.4	9	Serr.lock washer	A6,4 DIN6798 s/s		
14	9.1051.0014.5	5	Serr.lock washer	A6,4 DIN6798		
15	9.1057.0060.3	4	S.h. bolt	M6x16 DIN912-A2 s/s		
16	9.1057.0126.6	2	S.h. bolt	M6x50 DIN912-A2 s/s		
17	9.1059.0030.0	4	Button head screw	DIN7985-H		
18	9.1059.0035.0	2	Button head screw	DIN7985H		
19	9.1108.0148.6	2	Cap	30-25-10		
20	9.1185.0800.1	2	Hinge			
21	9.1185.0998.0	1	Buzzer	12-24V AC/DC		
22	9.1186.0244.2	1	Swivel	M12x1.5		
23	9.1186.0245.3	1	Swivel nut	M12X1.5 (EMC)		
24	9.1186.0248.6	1	Swivel	M20x1.5		
25	9.1186.0249.0	2	Swivel nut	M20x1.5		
26	9.1186.0250.1	3	Swivel	M25x1.5		
27	9.1186.0251.2	3	Lock nut	GMP-GL M25x1.5		
28	9.1186.0336.3	1	Swivel	M20x1.5		
29	9.1186.0445.0	1	Cover			
30	9.1186.0535.6	3	Swivel	M20x1.5 brass		
31	9.1186.0559.0	3	Swivel	nut SM-PE-M20x1.5 Skindicht		
32	9.1186.0580.0	1	Connector	E-link female		
33	9.1186.0370.2	1	Litz band			
34	9.1190.0593.0	2	Litz band			

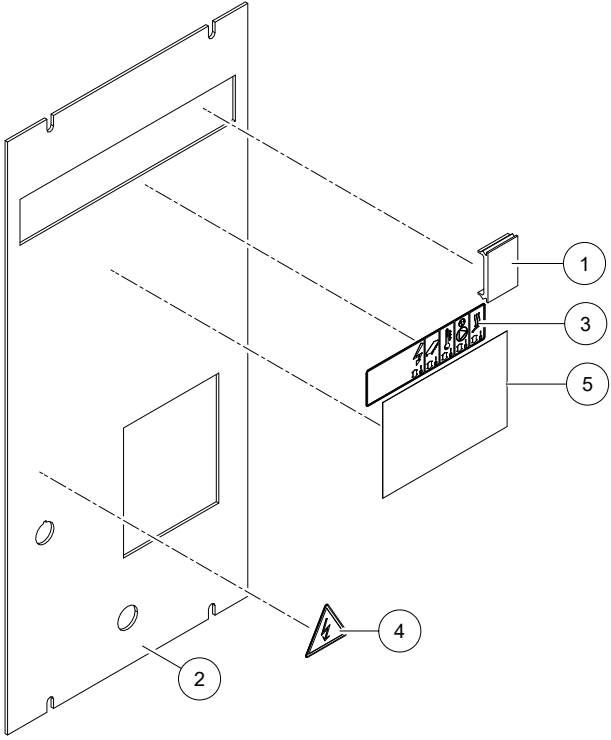


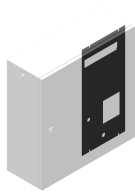


Astronaut A5
 Central Control Box
 Central Control Box
 5.1004.0602-2XX 0003242507
 5.1005.2XXX-XXX 0003242507

Ref.	Part No	Qty.	Description	Techn. info	Criticality	Remark
1	5.1004.0827.0	1	PCB	ADS2412		
2	9.1185.0559.3	1	Glass fuse	3.15AT		
3	9.1185.0840.6	3	Spacer	DIN rail component		
4	#####	1	Not separately			
5	9.1185.0879.0	1	UPS			
6	9.1185.0886.0	6	Connector	UT 4 G electra		
7	9.1185.0887.0	3	Spacer			
8	9.1185.0888.0	1	Fuse	UT 4-HESI (5x20)		
9	9.1185.0889.0	1	Switch			
10	9.1185.0900.0	1	Connector	Ground connector UT 4 PE		
11	9.1185.0906.0	1	Jumper	FBS 3-6		
12	9.1185.0907.0	2	Jumper	FBS 2-6		
13	9.1185.0992.0	1	Power supply	1AC/24DC		
14	9.1186.0569.0	1	Connector	MC 1.5/2-ST3.5		
15	9.1186.0570.0	4	Connector	MC 1.5/4-ST3.5		
16	9.1186.0572.0	1	Connector	MTSB 2.5/4-ST5.08		
17	9.1186.0578.0	1	Connector	MC 1.5/6-ST3.5		
18	9.1186.0579.0	1	Connector	MC 1.5/7-ST3.5		
19	#####	2	Not separately			
20	9.1188.0077.0	1	Battery	For pulse 24V DC 10A		
21	#####	1	Not separately			
22	9.1190.0041.0	1	Switch			
23	9.1190.0105.0	1	Cable	Patchcable RJ45 cat5e UTP 1m		
24	9.1190.0452.0	1	Connection Module (Type 2)	RJ45		
25	#####	1	Not separately			
26	#####	1	Not separately			



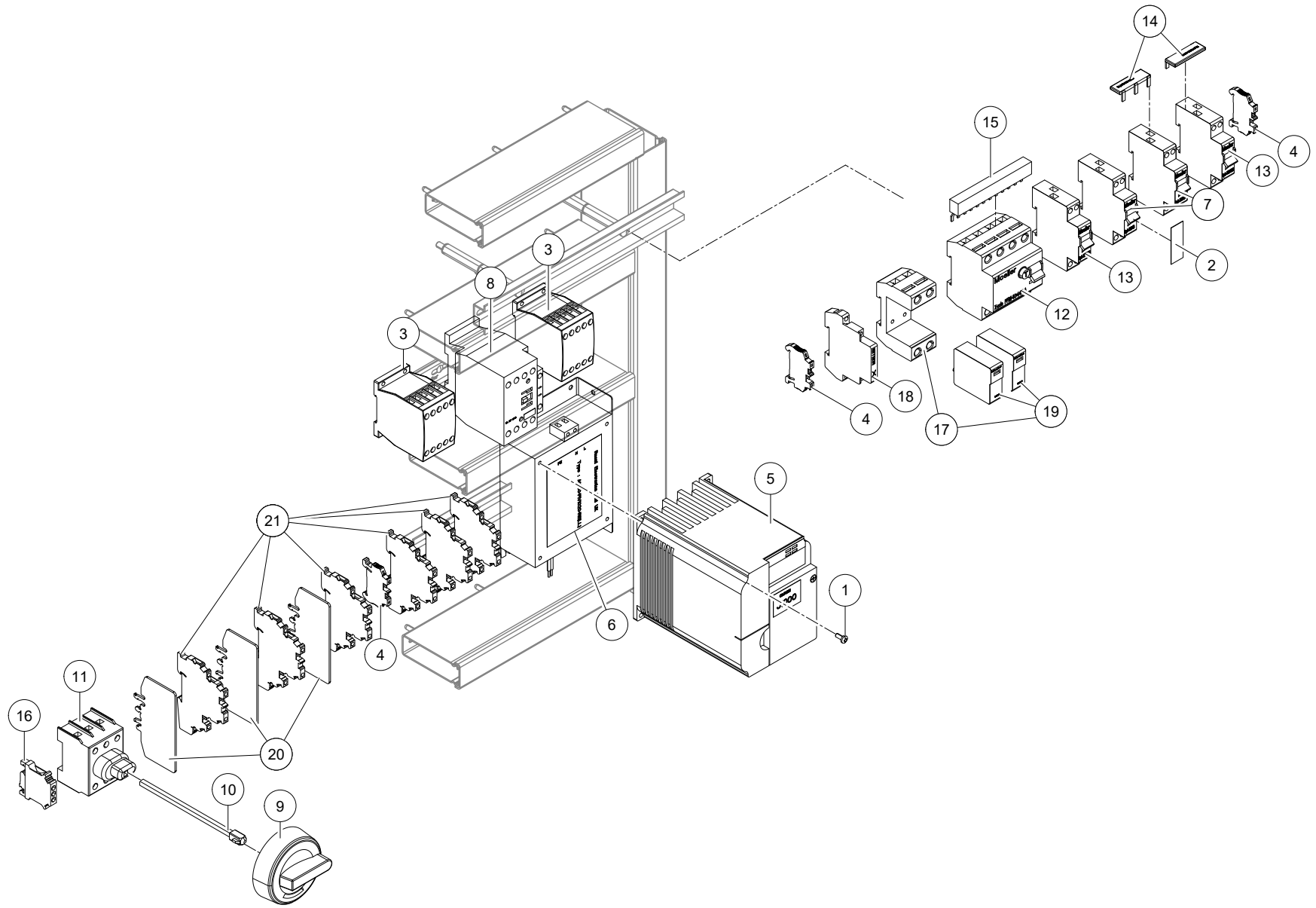


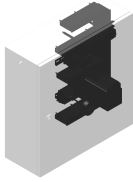


Astronaut A5
 Central Control Box
 Central Control Box
 5.1004.0602-2XX 0003242507
 5.1005.2XXX-XXX 0003242507

Ref.	Part No	Qty.	Description	Techn. info	Criticality	Remark
1	5.1004.1734.0	2	Cover			
2	5.1004.2294.0	1	Cover			
3	9.1170.0924.0	1	Decal	ECC CU 400V"		
4	9.1170.0928.0	1	Decal	High voltage hazard 50mm CE"		
5	9.1170.0931.0	1	Decal	"Prevent boiler dry heat-up"		



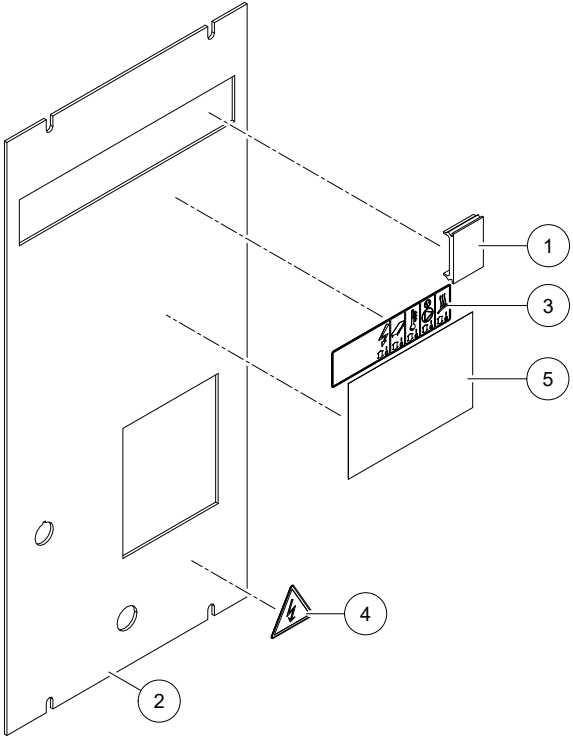




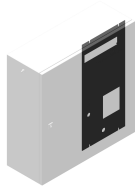
Astronaut A5

Central Control Box	5.1004.0602-2XX	0003242507
Central Control Box	5.1005.2XXX-XXX	0003242507

Ref.	Part No	Qty.	Description	Techn. info	Criticality	Remark
1	9.1059.0032.0	4	Button head screw	DIN7985H		
2	9.1170.0979.0	1	Decal	Sticker" Red switchseal"		
3	9.1185.0771.0	2	Relay	24VDC		
4	9.1185.0840.6	3	Spacer	DIN rail component		
5	9.1185.0845.4	1	Inverter	Inverter J1000 Omron		
6	9.1185.0846.5	1	Filter	A1000 Omron/Rasmi		
7	9.1185.0849.1	2	Fuse			
8	9.1185.0858.3	1	Relay	Möller xStart DIL MP 32- 10		
9	9.1185.1001.0	1	Switch			
10	9.1185.1002.0	1	Shaft	L=128mm		
11	9.1185.1006.0	1	Switch			
12	9.1186.0405.2	1	Earth leakage circuit breaker	PFIM-40/4/03-A		
13	9.1186.0408.5	2	Automatic circuit-breaker	PLN6-C10/1N		
14	9.1186.0561.0	2	Buss bar	3 components 18mm		
15	9.1186.0581.0	1	Buss bar	EVG-16/2phase		
16	#####	1	Not separately			
17	9.1190.0677.0	1	Surge Protector base and units			
18	9.1190.0680.0	1	Switch			
19	9.1190.0760.0	2	Surge protect unit SPCT2-280			
20	9.1190.2033.0	3	End piece	ATP-URTK/SP		
21	#####	6	Not separately			



15



Astronaut A5

Central Control Box	5.1004.0602-2XX	0003242507
Central Control Box	5.1005.2XXX-XXX	0003242507

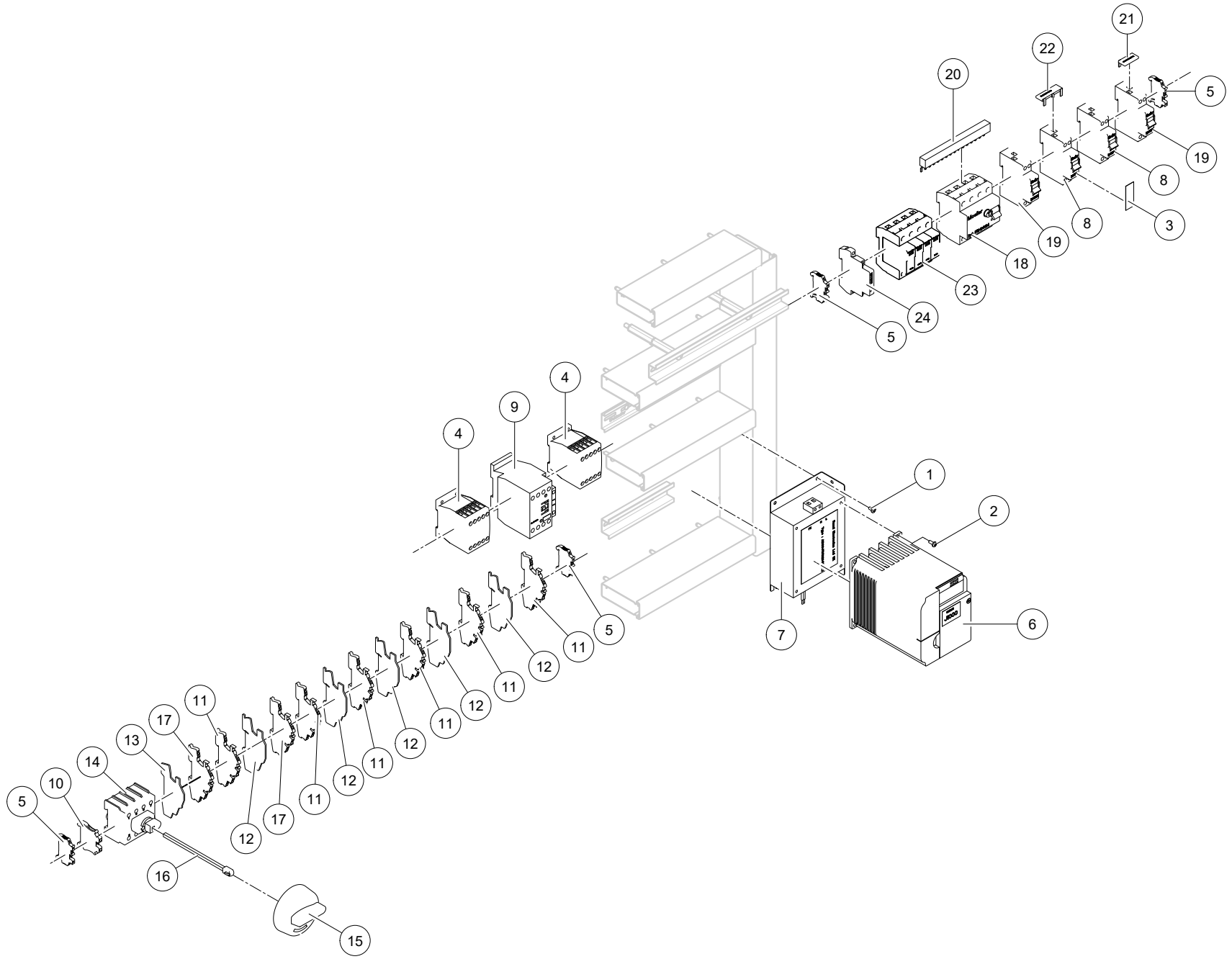
Ref.	Part No	Qty.	Description	Techn. info	Criticality	Remark
1	5.1004.1734.0	1	Cover			
2	5.1004.2294.0	1	Cover			
3	9.1170.0924.0	1	Decal	ECC CU 400V"		
4	9.1170.0928.0	1	Decal	High voltage hazard 50mm CE"		
5	9.1170.0931.0	1	Decal	"Prevent boiler dry heat-up"		

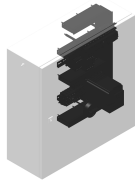
D000422-002

Plate 3PhN 230/400VAC

C-1



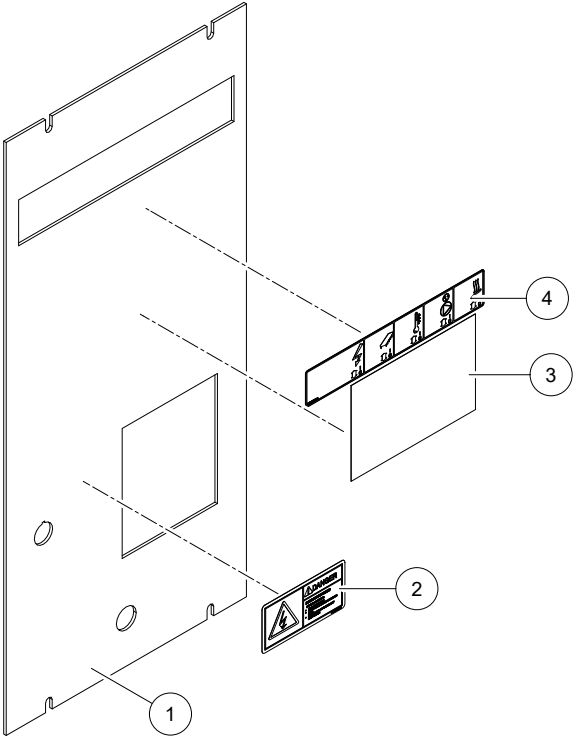


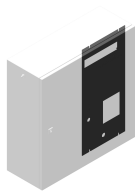


Astronaut A5	Central Control Box	5.1004.0602-2XX	0003242507
	Central Control Box	5.1005.2XXX-XXX	0003242507

Ref.	Part No	Qty.	Description	Techn. info	Criticality	Remark
1	#####	4	Not separately	DIN 7985-H		
2	9.1059.0032.0	4	Button head screw	DIN7985H		
3	#####	1	Not separately			
4	9.1185.0771.0	2	Relay	24VDC		
5	9.1185.0840.6	4	Spacer	DIN rail component		
6	9.1185.0845.4	1	Inverter	Inverter J1000 Omron		
7	9.1185.0846.5	1	Filter	A1000 Omron/Rasmi		
8	9.1185.0849.1	2	Fuse			
9	9.1185.0858.3	1	Relay	Möller xStart DIL MP 32- 10		
10	9.1185.0900.0	1	Connector	Ground connector UT 4 PE		
11	9.1185.0964.0	6	Connector	3031843		
12	9.1185.0968.0	5	Spacer	3030857		
13	9.1185.0969.0	1	End piece	3030844		
14	9.1185.0999.0	1	Switch			
15	9.1185.1001.0	1	Switch			
16	9.1185.1002.0	1	Shaft	L=128mm		
17	9.1185.1008.0	2	Connector			
18	9.1186.0405.2	1	Earth leakage circuit breaker	PFIM-40/4/03-A		
19	9.1186.0408.5	2	Automatic circuit-breaker	PLN6-C10/1N		
20	9.1186.0506.5	1	Buss bar	215644 EVG-4phase/8 20		
21	9.1186.0560.0	1	Buss bar	2 components 18mm		
22	9.1186.0561.0	1	Buss bar	3 components 18mm		
23	9.1190.0679.0	1	Surge protection Device			
24	9.1190.0680.0	1	Switch			



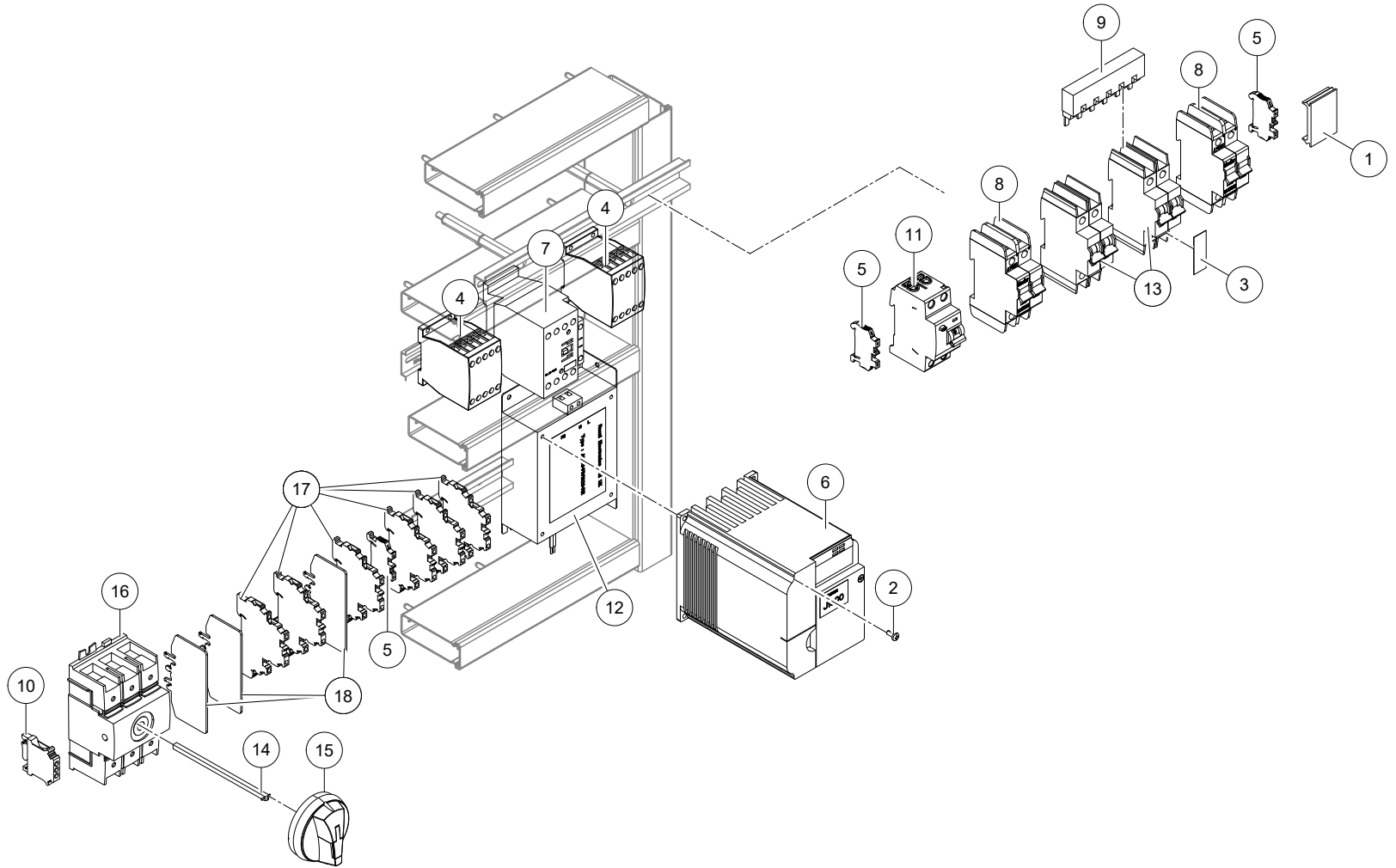


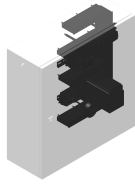


Astronaut A5
 Central Control Box
 Central Control Box
 5.1004.0602-2XX 0003242507
 5.1005.2XXX-XXX 0003242507

Ref.	Part No	Qty.	Description	Techn. info	Criticality	Remark
1	5.1004.2294.0	1	Cover			
2	9.1170.0583.0	1	Decal			
3	9.1170.0931.0	1	Decal	"Prevent boiler dry heat-up"		
4	9.1170.0952.0	1	Decal	Sticker ECC CU 2x120V -0		



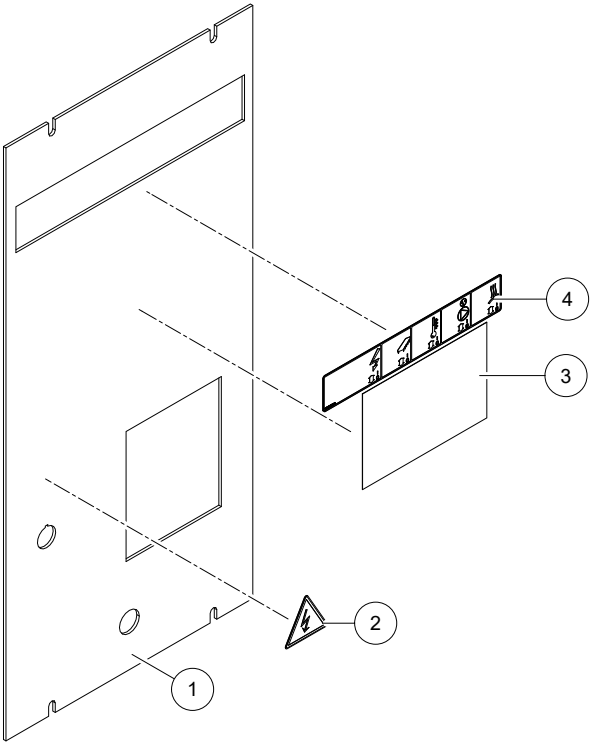


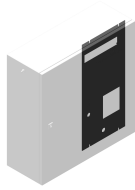


Astronaut A5
 Central Control Box
 Central Control Box
 5.1004.0602-2XX 0003242507
 5.1005.2XXX-XXX 0003242507

Ref.	Part No	Qty.	Description	Techn. info	Criticality	Remark
1	5.1004.1734.0	1	Cover			
2	9.1059.0032.0	4	Button head screw	DIN7985H		
3	9.1170.0979.0	2	Decal	Sticker" Red switchseal"		
4	9.1185.0771.0	2	Relay	24VDC		
5	9.1185.0840.6	3	Spacer	DIN rail component		
6	9.1185.0845.4	1	Inverter	Inverter J1000 Omron		
7	9.1185.0858.3	1	Relay	Möller xStart DIL MP 32- 10		
8	9.1185.0904.0	2	Fuse holder	Fuse x-pole FAZ-C10/2-NA		
9	9.1190.0121.0	1	Busbar			
10	#####	1	Not separately			
11	#####	1	Not separately			
12	#####	1	Not separately	(N-A)		
13	#####	2	Not separately			
14	9.1190.0650.0	1	Extension piece			
15	9.1190.0651.0	1	Padlock able handles			
16	9.1190.0652.0	1	Pole switch			
17	9.1190.2032.0	6	Terminal	UT 4-PE/L/L		
18	9.1190.2033.0	3	End piece	ATP-URTK/SP		





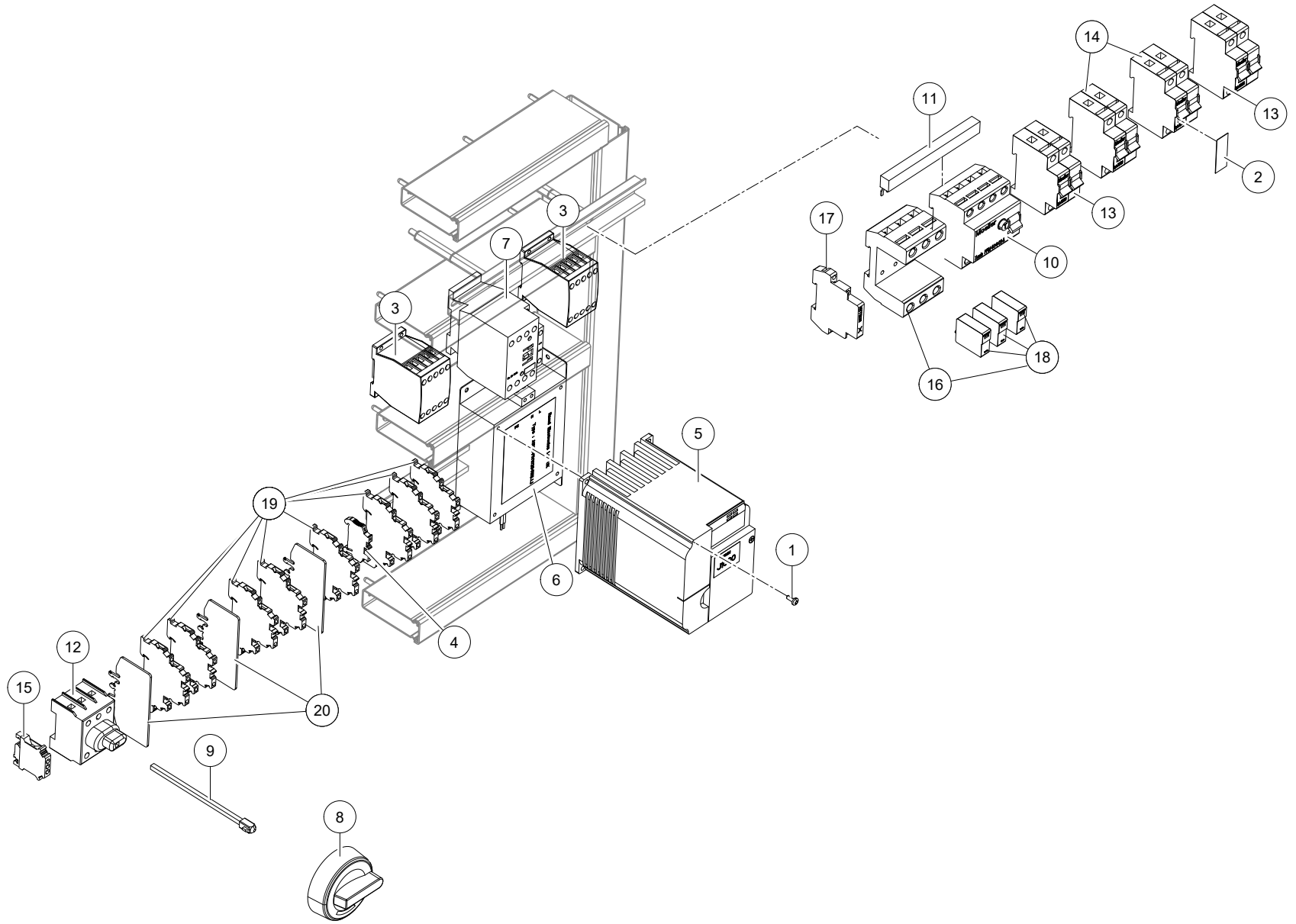


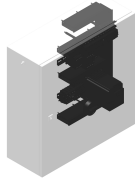
Astronaut A5

Central Control Box	5.1004.0602-2XX	0003242507
Central Control Box	5.1005.2XXX-XXX	0003242507

Ref.	Part No	Qty.	Description	Techn. info	Criticality	Remark
1	#####	1	Not separately			
2	9.1170.0928.0	1	Decal	High voltage hazard 50mm CE"		
3	9.1170.0931.0	1	Decal	"Prevent boiler dry heat-up"		
4	9.1170.0952.0	1	Decal	Sticker ECC CU 2x120V -0		







Astronaut A5	Central	5.1004.0602-2XX	0003242507
	Control Box	5.1005.2XXX-XXX	0003242507
	Central		
	Control Box		

Ref.	Part No	Qty.	Description	Techn. info	Criticality	Remark
1	9.1059.0032.0	4	Button head screw	DIN7985H		
2	9.1170.0979.0	2	Decal	Sticker" Red switchseal"		
3	9.1185.0771.0	2	Relay	24VDC		
4	9.1185.0840.6	1	Spacer	DIN rail component		
5	9.1185.0845.4	1	Inverter	Inverter J1000 Omron		
6	9.1185.0846.5	1	Filter	A1000 Omron/Rasmi		
7	9.1185.0858.3	1	Relay	Möller xStart DIL MP 32- 10		
8	9.1185.1001.0	1	Switch			
9	9.1185.1002.0	1	Shaft	L=128mm		
10	9.1186.0405.2	1	Earth leakage circuit breaker	PFIM-40/4/03-A		
11	9.1186.0506.5	1	Buss bar	215644 EVG-4phase/8 20		
12	9.1190.0122.0	1	3 pole switch 40a			
13	#####	2	Not separately			
14	#####	2	Not separately			
15	#####	1	Not separately			
16	9.1190.0678.0	1	Surge protection Device			
17	9.1190.0680.0	1	Switch			
18	9.1190.0760.0	3	Surge protect unit SPCT2-280			
19	9.1190.2032.0	8	Terminal	UT 4-PE/L/L		
20	9.1190.2033.0	3	End piece	ATP-URTK/SP		





INTENTIONALLY BLANK

Lely Industries N.V.

Cornelis van der Lelylaan 1

NL-3147 PB Maassluis

Tel +31 (0)88 - 12 28 221

Fax +31 (0)88 - 12 28 222

