

Lely Astronaut

Central Unit

Dosing Unit



Parts list

5.1005.8563.0 B

English Original





INTENTIONALLY BLANK

Preface

Applicability

Type number:	As from serial number:
5.1004.0602-2XX	0003242507
5.1005.2XXX-XXX	0003242507

Spare Parts

When ordering spare parts it is important that you are aware of the type and serial number of your machine. Use only genuine LELY parts.

Criticality

Criticality = Bulk, 0, 1, 2

- Bulk = Bulk item.
- 0 = Not critical.
- 1 = Not very critical.
- 2 = Critical.

Explanation of Signs Used in the Parts List

[R] / [RH]	By RH or LH version the position of the part is meant, seen from the rear of the machine.
[L] / [LH]	
[~]	E.g.: LH version is not similar to the RH version, which is actually shown.
[#]	Not available seperately.



INTENTIONALLY BLANK

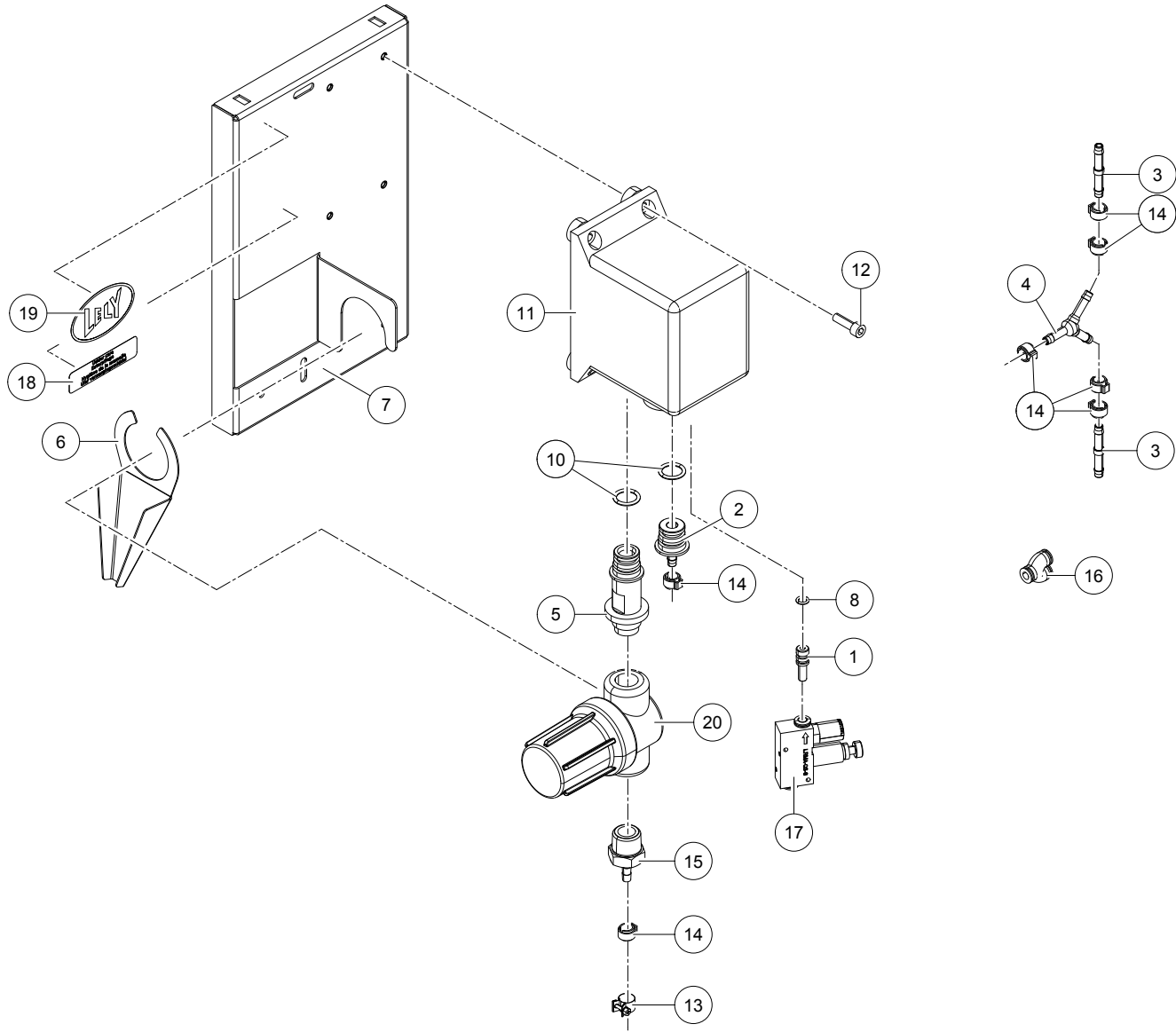


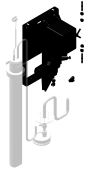
Table of Contents

A	Udder Care	7
A-1	Pump	7
A-2	Suction Tube	9
A-3	Safety Lance	11
B	Basic Pump	13
B-1	Base	13
B-2	Dosing Unit	15
B-3	Dosing Unit	17
B-4	Dosing Unit	19
B-5	Suction Tube	21
C	Basic Pump (USA)	23
C-1	Base (USA)	23
C-2	Shield Set (EU)	25
C-3	Dosing Unit & Suction Tube (USA)	27



INTENTIONALLY BLANK





Astronaut A5

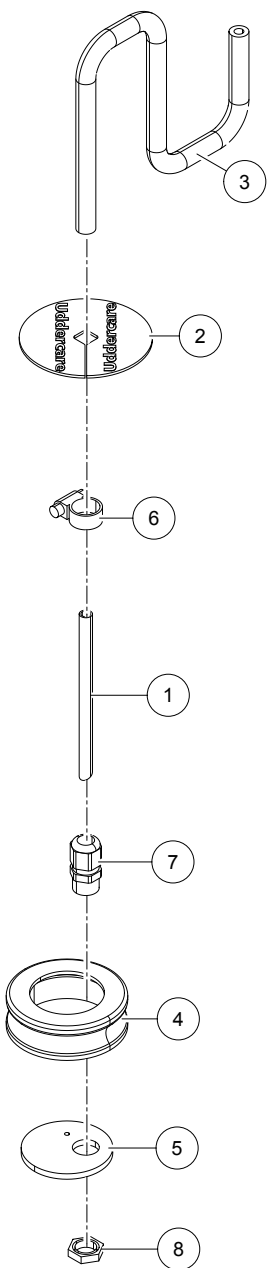
Dosing Unit 5.1004.0602-2XX 0003242507
 Dosing Unit 5.1005.2XXX-XXX 0003242507

Ref.	Part No	Qty.	Description	Techn. info	Criticality	Remark
1	5.1003.0858.0	1	Connector		2	
2	5.1004.1768.0	1	Red. nipple	FLOJET G573215A IN/OUT	1	
3	5.1004.1802.0	2	Hose swivel			
4	5.1004.1805.0	1	Y-piece			
5	5.1004.2983.0	1	Red. nipple			
6	5.1004.2999.0	1	Funnel	for filter cleaning		
7	5.1004.5087.0	1	Plate			
8	9.1043.0088.3	1	O-ring	6,07x1,78 NBR70	2	
9	9.1043.0158.3	1	O-ring	23,52x1,78 Viton		
10	9.1043.0209.0	2	O-ring	15x2.5 Viton	1	
11	9.1047.0002.6	1	Diaphragm pump	Pump APU Vit 1/2HB Brass air	2	
12	9.1057.0092.0	4	S.h. bolt	M6x20 DIN912-A2 s/s	Bulk	
13	9.1066.0054.2	1	Hose clamp	ø10.5-ø12.0	Bulk	
14	9.1066.0078.0	7	Hose clamp	7.5-8.5mm AISI304,	1	
15	9.1130.0037.5	1	Tailpiece	1VH 6 s/s 1/2" out		
16	9.1138.0099.5	1	Plug-in coupling	6-6-6mm (Y)	Bulk	
17	9.1138.0987.0	1	Pressure reducer		2	
18	9.1170.0647.1	1	Decal			
19	9.1170.0889.5	1	Decal	"Lely 3d logo 65mm"		
20	9.1185.0018.1	1	Liquid filter AAB122			

D000417-001

Pump

A-1





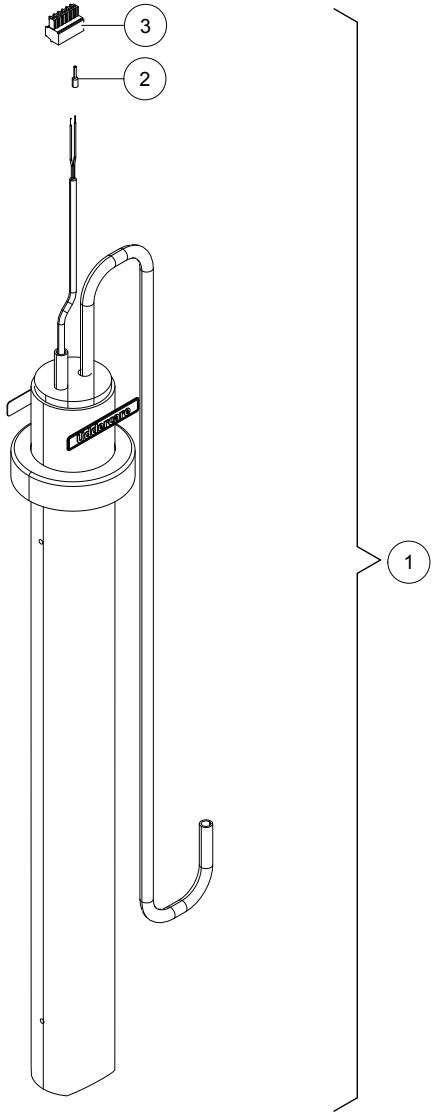
Astronaut A5 Dosing Unit 5.1004.0602-2XX 0003242507
 Dosing Unit 5.1005.2XXX-XXX 0003242507

Ref.	Part No	Qty.	Description	Techn. info	Criticality	Remark
1	5.1002.6791.0	1	Suction tube	L=60mm	1	
2	5.1003.0598.0	1	Warning sign	Uddercare		
3	9.1065.0061.3	1	Tube	ø6x3 (50m)	Bulk	
4	5.1003.1305.0	1	Locking cap			
5	5.1003.1377.0	1	Disc			
6	9.1066.0018.1	1	Hose clamp	Ø8-Ø16 s/s	Bulk	
7	9.1186.0246.4	1	Swivel		Bulk	
8	9.1186.0247.5	1	Swivel nut		Bulk	

D000417-002

Suction Tube

A-2



D000417-003

Safety Lance

A-3





Astronaut A5 Dosing Unit 5.1004.0602-2XX 0003242507
 Dosing Unit 5.1005.2XXX-XXX 0003242507

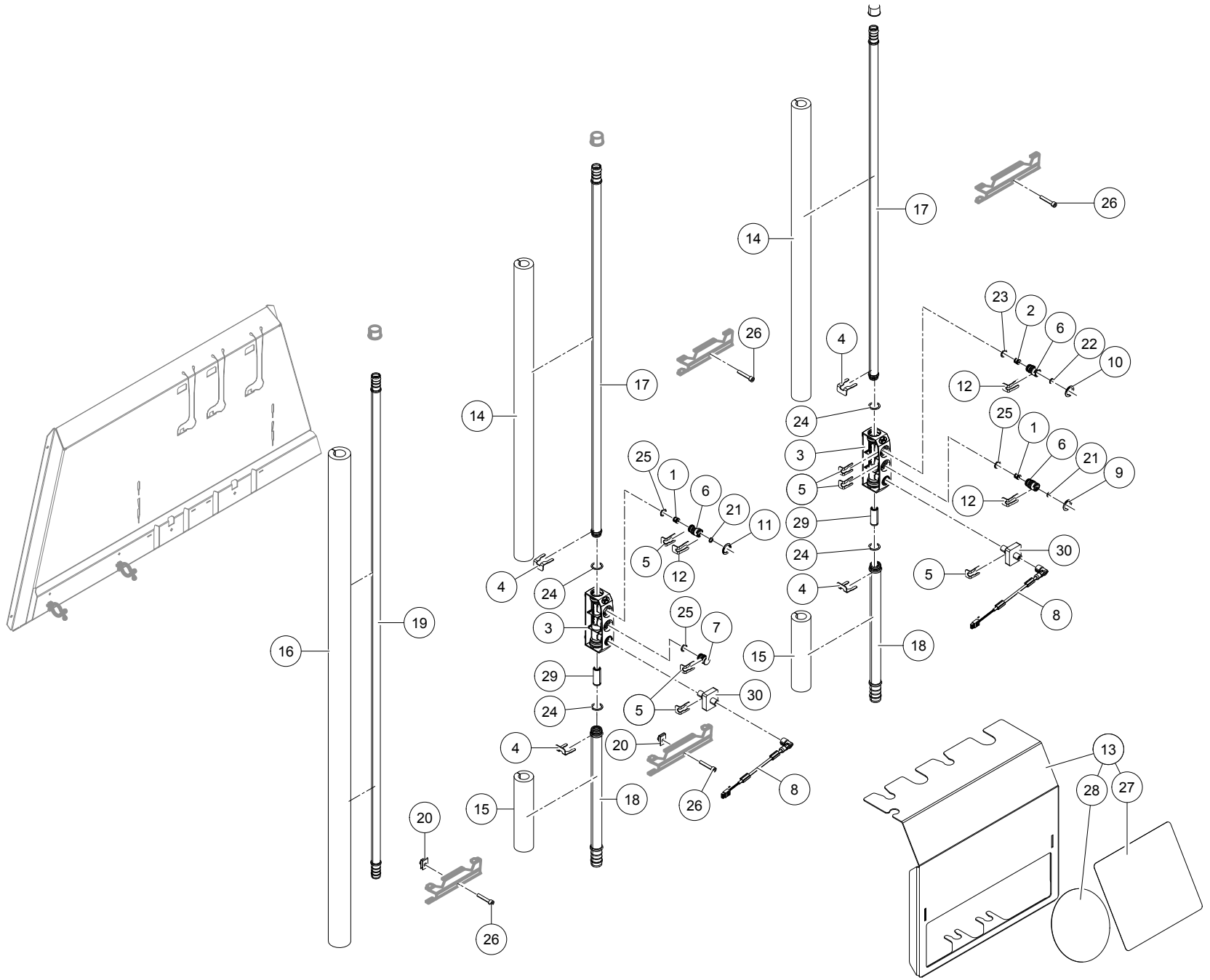
Ref.	Part No	Qty.	Description	Techn. info	Criticality	Remark
1	5.1003.7700.0	1	Suction tube		1	
2	9.1186.0187.1	1	Cable core	0.5mm ²		
3	9.1186.0578.0	1	Connector	MC 1.5/6-ST3.5	Bulk	

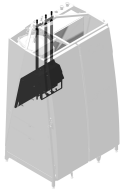
D000417-003

Safety Lance

A-3







Astronaut A5

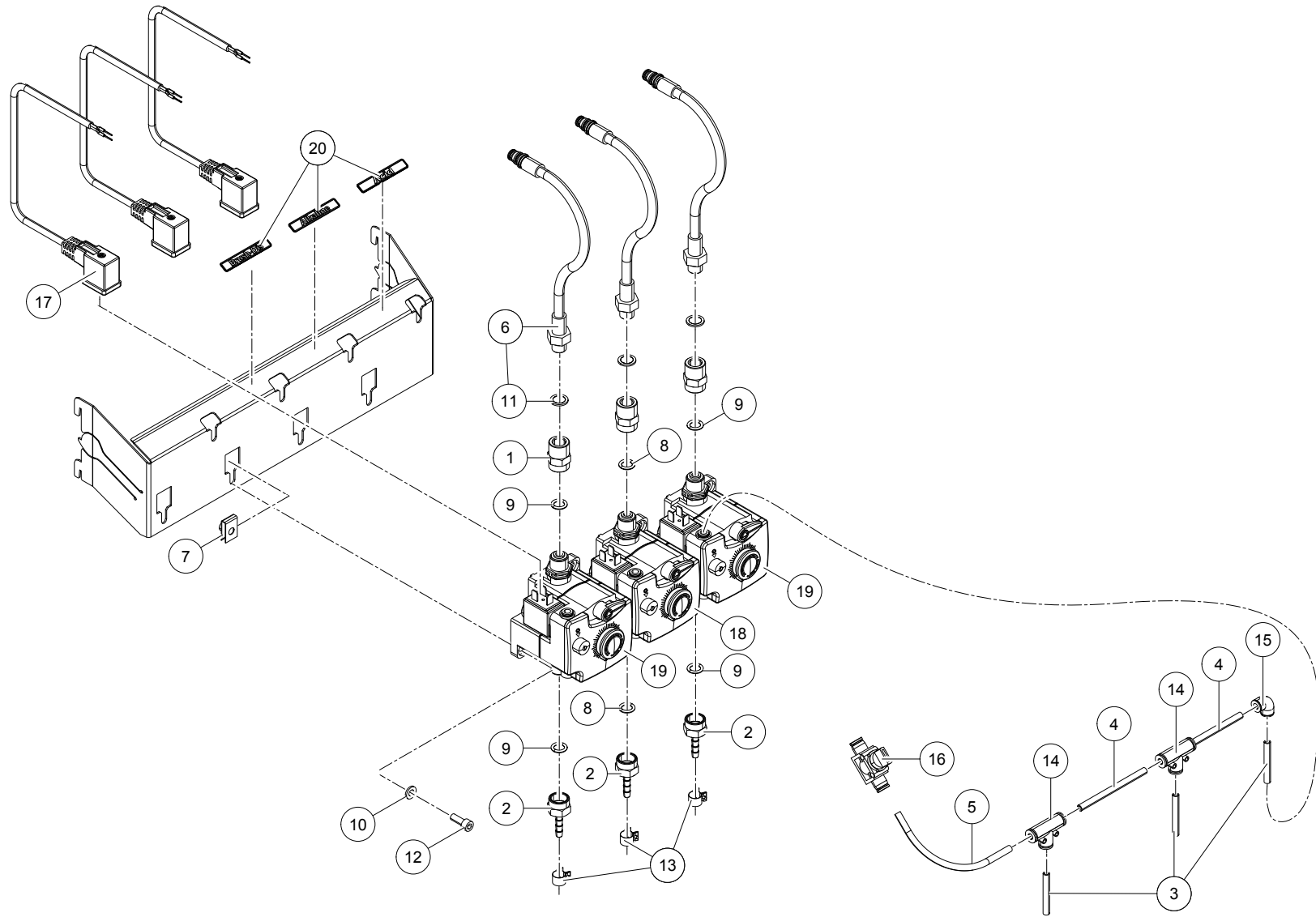
Dosing Unit 5.1004.0602-2XX 0003242507
 Dosing Unit 5.1005.2XXX-XXX 0003242507

Ref.	Part No	Qty.	Description	Techn. info	Criticality	Remark
1	5.1004.3036.0	2	Valve		2	
2	5.1004.3043.0	1	Valve		2	
3	5.1004.6371.0	2	Manifold	mixing chemicals		
4	5.1004.6372.0	4	Clip	19mm	2	
5	5.1004.6373.0	6	Clip	12mm	2	
6	5.1004.6374.0	3	Adapter			
7	5.1004.6376.0	1	Plug			
8	5.1004.6383.0	2	Cable		1	
9	5.1004.6386.0	1	Label	Acid		
10	5.1004.6387.0	1	Label	Alkaline		
11	5.1004.6388.0	1	Label	Brush Dis		
12	5.1004.6404.0	3	Clip 9mm			
13	5.1005.2844.0	1	Shield ass.		1	
14	9.1185.1053.0	2	Isolation	Climaflex XT 22x9mm (L2000mm), L=730mm		
15	9.1185.1053.0	2	Isolation	Climaflex XT 22x9mm (L2000mm), L=175mm		
16	9.1185.1053.0	1	Isolation	Climaflex XT 22x9mm (L2000mm), L=335mm		
17	5.1005.3442.0	2	Tube	FLOWMIXTUBE TOP	1	
18	5.1005.3443.0	2	Tube	FLOWMIXTUBE BOTTOM	1	
19	5.1005.3444.0	1	Tube	FLOWMIXTUBE STRAIGHT	1	
20	9.1036.0039.3	2	Speed nut	M6 s/s	Bulk	
21	9.1043.0188.0	2	O-ring	7,65x1,78 Viton		
22	9.1043.0189.0	1	O-ring	7,65x1,78 EPDM		
23	9.1043.0245.0	1	O-ring 5 x 2 nbr 70° shore			
24	9.1043.0270.0	4	O-ring	18.72 x 2.62 VITON 75° SHORE AERIKS 10023273		
25	9.1043.0271.0	3	O-ring	12 x 2 VITON 75° SHORE AERIKS 10024614		
26	9.1057.0103.4	4	S.h. bolt	M6x35 DIN912-A2 s/s		
27	9.1170.0910.0	1	Decal	"Pump priming"		
28	9.1170.0932.0	1	Sticker"Use safety glasses"			
29	9.1183.0077.0	2	Flow sensor	Turbine VTY 10-31	2	
30	9.1183.0078.0	2	Sensor	(Sika VT3493)	2	

D000419-001

Base

B-1

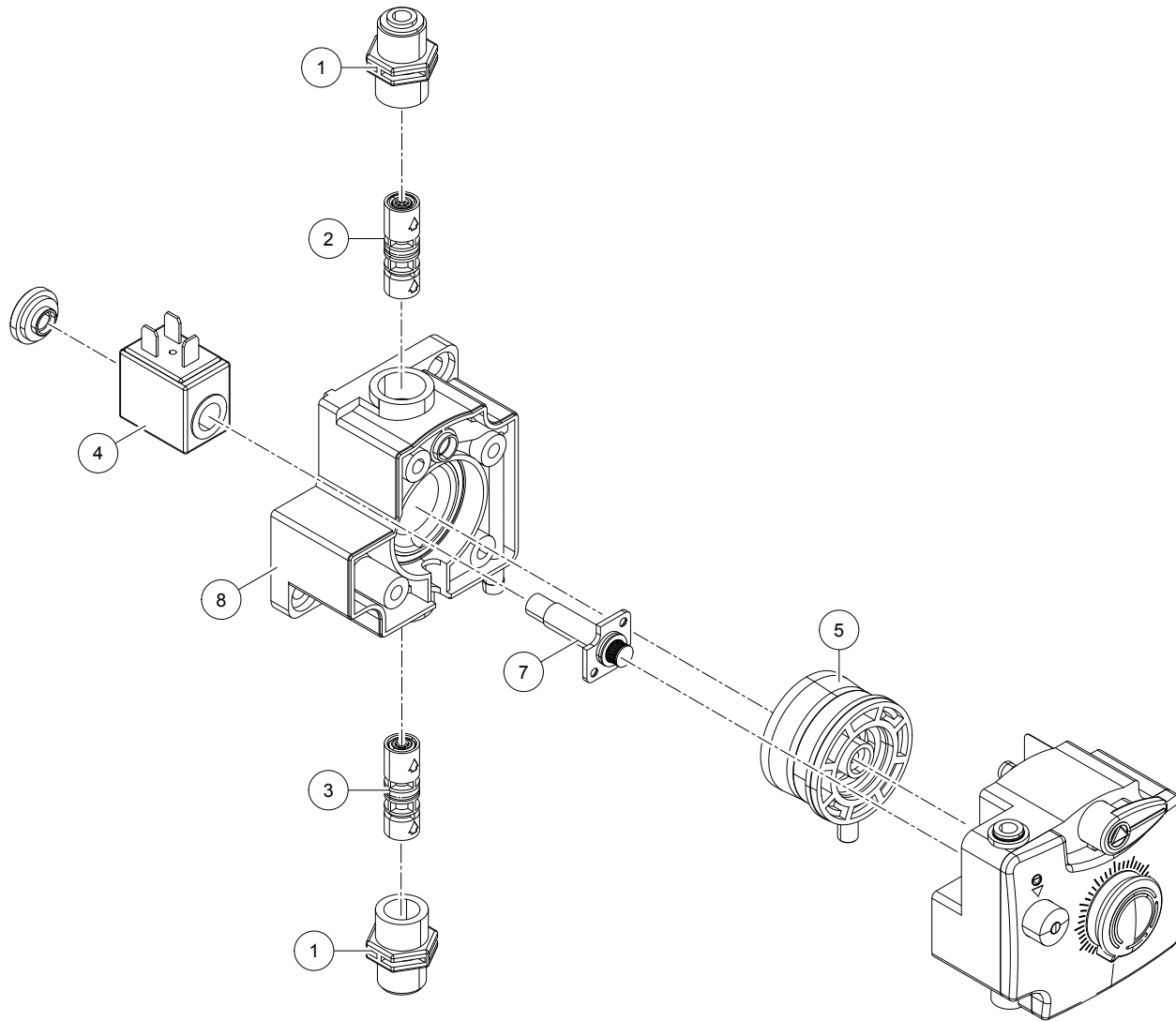




Astronaut A5

Dosing Unit 5.1004.0602-2XX 0003242507
 Dosing Unit 5.1005.2XXX-XXX 0003242507

Ref.	Part No	Qty.	Description	Techn. info	Criticality	Remark
1	5.1004.1371.0	3	Red. nipple		1	
2	5.1004.1378.0	3	Tailpiece		1	
3	9.1138.0064.5	3	Tube	6mm PA, L=45mm	Bulk	
4	9.1138.0064.5	2	Tube	6mm PA, L=85mm	Bulk	
5	9.1138.0064.5	1	Tube	Blue PA 6mm, L=140mm	Bulk	
6	5.1005.3087.0	3	Hose	Chemical hose	1	
7	9.1036.0039.3	6	Speed nut	M6 s/s	Bulk	
8	9.1043.0126.6	2	O-ring	10x2,5 EPDM		
9	9.1043.0127.0	4	O-ring	10x2,5 Viton	2	
10	9.1048.0090.0	6	Washer	A6,4 DIN125-A2 s/s	Bulk	
11	9.1049.0058.2	3	Ring WD-16.5x11.6x1.5 1/4" VI	TON DIN3869	1	
12	9.1057.0060.3	6	S.h. bolt	M6x16 DIN912-A2 s/s	Bulk	
13	9.1066.0054.2	3	Hose clamp	ø10.5-ø12.0	Bulk	
14	9.1138.0053.1	2	Plug-in coupling	6-6-6mm (T)		
15	9.1138.0098.4	1	Plug-in coupling	6-6mm (L)	Bulk	
16	9.1138.0399.0	1	Valve		Bulk	
17	9.1186.0788.0	3	Valve			
18	9.1189.0103.5	1	Pump	Alkaline (24V 12 ltr/h)	2	
19	9.1189.0111.6	2	Pump	Acid/Brush-Dis/Sanitizer (24V 12ltr/h)	2	
20	5.1004.5289.0	1	Decal (kit)			



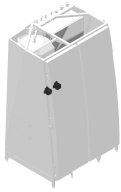
90 = 2 + 3

D000419-003

Dosing Unit

B-3





Astronaut A5

Dosing Unit 5.1004.0602-2XX 0003242507
 Dosing Unit 5.1005.2XXX-XXX 0003242507

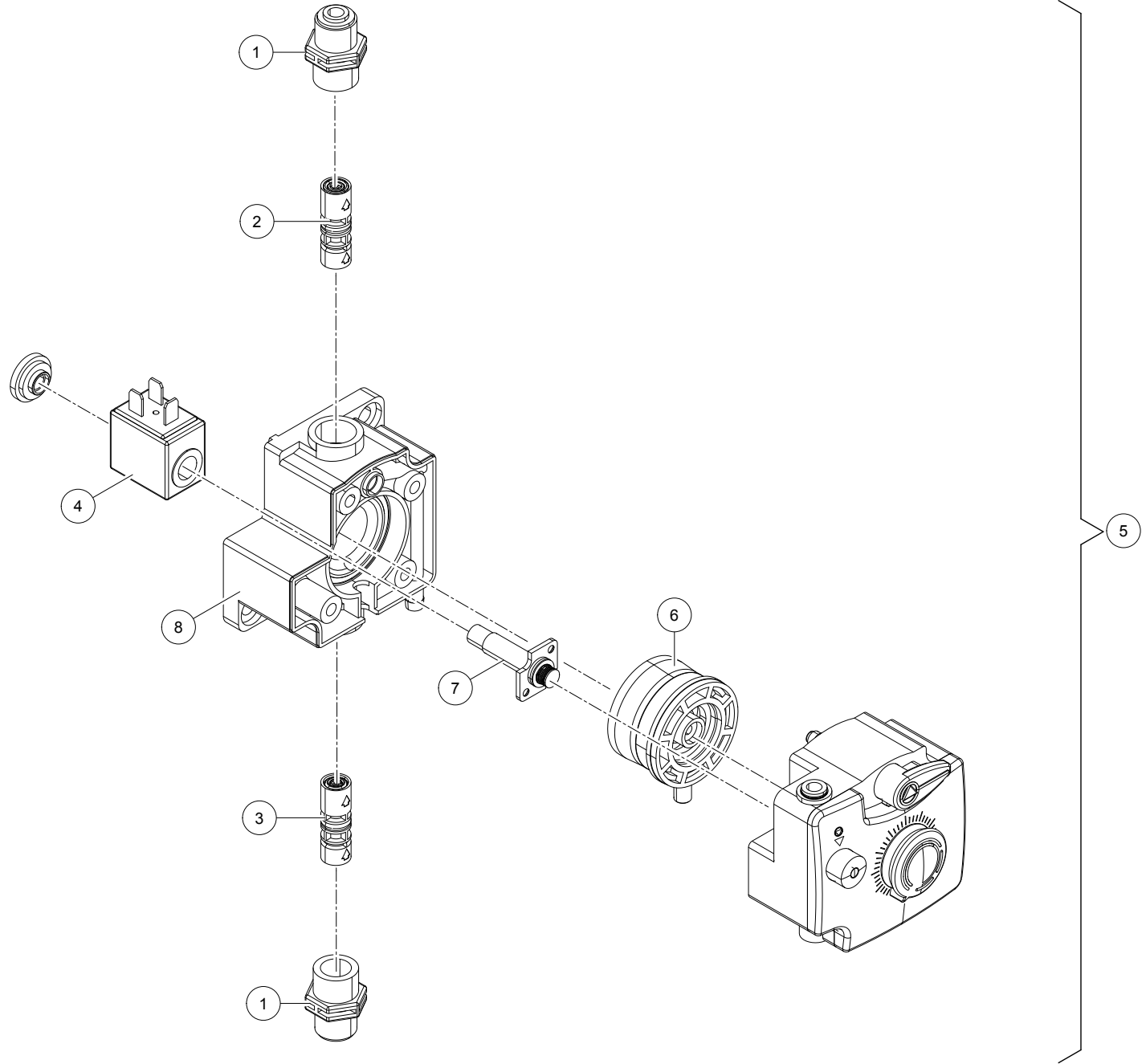
Ref.	Part No	Qty.	Description	Techn. info	Criticality	Remark
1	5.1004.6039.0	2	Nipple	PART OF ECOLAB VALVE	1	
2	#####	1	Not separately			
3	#####	1	Not separately			
4	9.1138.1046.0	1	Solenoid		2	
5	9.1189.0104.6	1	Diaphragm cartridge	241015	2	
6	9.1189.0111.6	1	Pump	Acid/Brush-Dis/Sanitizer (24V 12ltr/h)	2	
7	9.1189.0255.0	1	Kit			
8	9.1189.0268.0	1	Base	241024	1	
90	5.1004.2947.0	1	Kit valve ecolab		2	

D000419-003

Dosing Unit

B-3





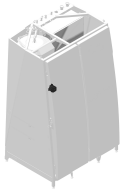
90 = 2 + 3

D000419-004

Dosing Unit

B-4





Astronaut A5

Dosing Unit 5.1004.0602-2XX 0003242507
 Dosing Unit 5.1005.2XXX-XXX 0003242507

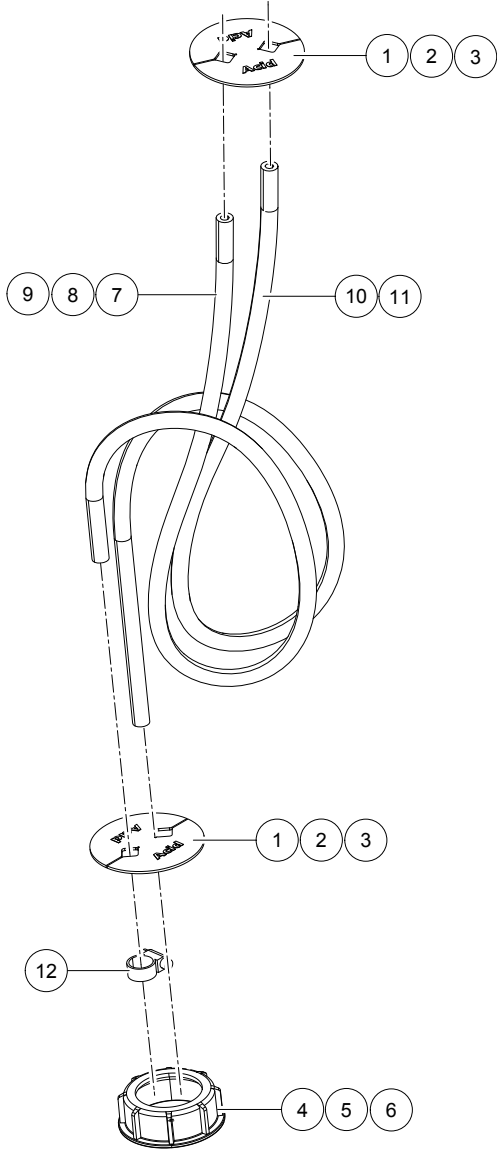
Ref.	Part No	Qty.	Description	Techn. info	Criticality	Remark
1	5.1004.6039.0	2	Nipple	PART OF ECOLAB VALVE	1	
2	#####	1	Not separately			
3	#####	1	Not separately			
4	9.1138.1046.0	1	Solenoid		2	
5	9.1189.0103.5	1	Pump	Alkaline (24V 12 ltr/h)	2	
6	9.1189.0104.6	1	Diaphragm cartridge	241015	2	
7	9.1189.0255.0	1	Kit			
8	9.1189.0268.0	1	Base	241024	1	
90	5.1004.2946.0	1	Kit valve ecolab EPDM		2	

D000419-004

Dosing Unit

B-4



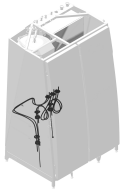


D000419-005

Suction Tube

B-5





Astronaut A5

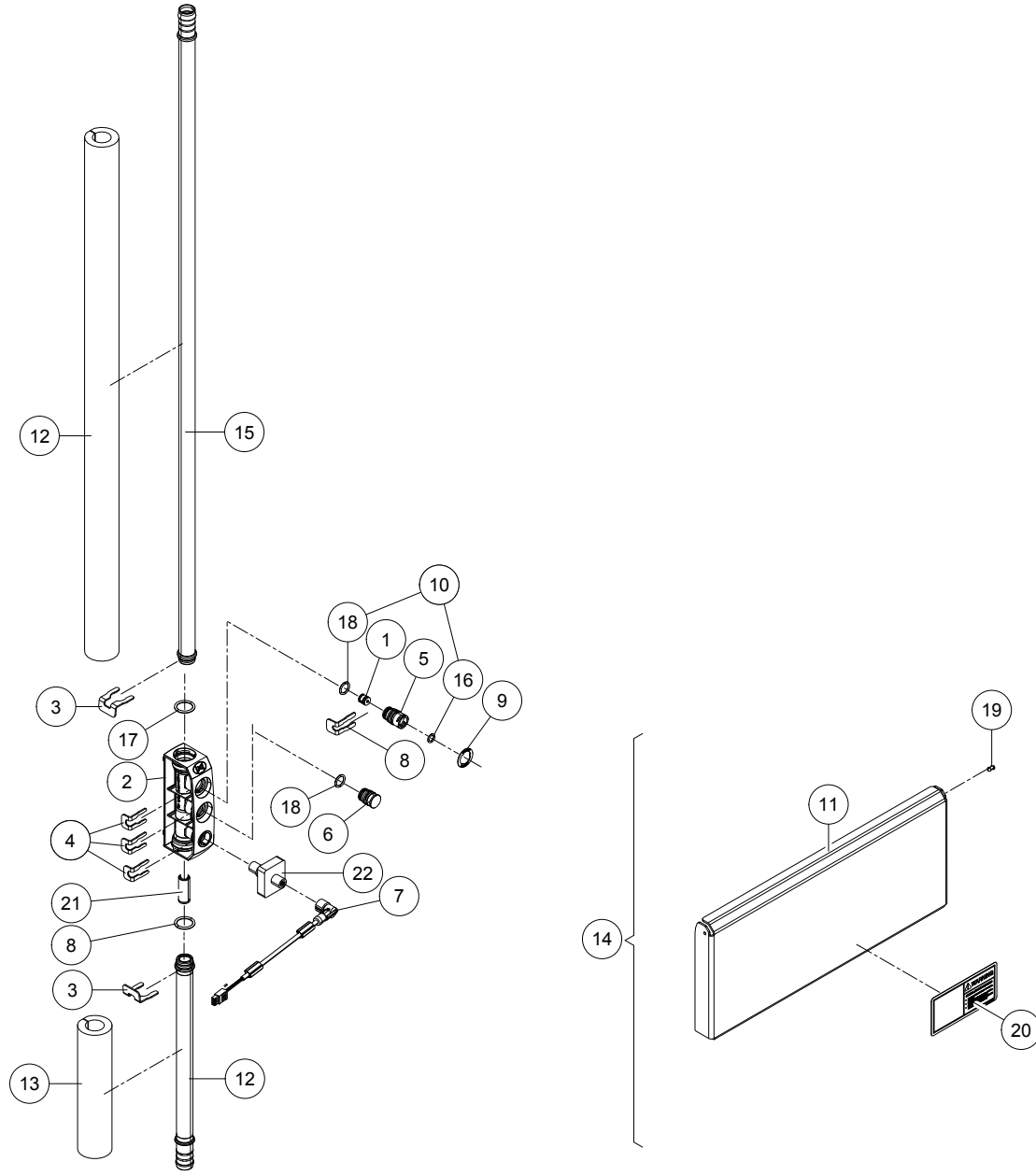
Dosing Unit 5.1004.0602-2XX 0003242507
 Dosing Unit 5.1005.2XXX-XXX 0003242507

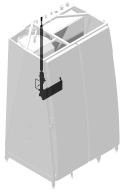
Ref.	Part No	Qty.	Description	Techn. info	Criticality	Remark
1	5.1004.1488.0	2	Label	"Brush-Dis"		
2	5.1004.1490.0	2	Label	"Acid"		
3	5.1004.1502.0	2	Label	"Alkaline"		
4	5.1004.6737.0	1	Cap			
5	5.1004.6738.0	1	Cap			
6	5.1004.6739.0	1	Cap			
7	9.1065.0071.6	1	Hose	ø6x3 (50m), L=1900mm - Brush-Dis	Bulk	
8	9.1065.0073.1	1	Tube	ø6x3 (50m), L=130mm	Bulk	
9	9.1065.0072.0	1	Tube	ø6x3 (50m), L=850mm - Alkaline	Bulk	
10	9.1065.0061.3	1	Tube	ø6x3 (50m), L=2000mm	Bulk	
11	9.1065.0061.3	2	Tube	ø6x3 (50m), L=950mm	Bulk	
12	9.1066.0018.1	3	Hose clamp	Ø8-Ø16 s/s	Bulk	

D000419-005

Suction Tube

B-5



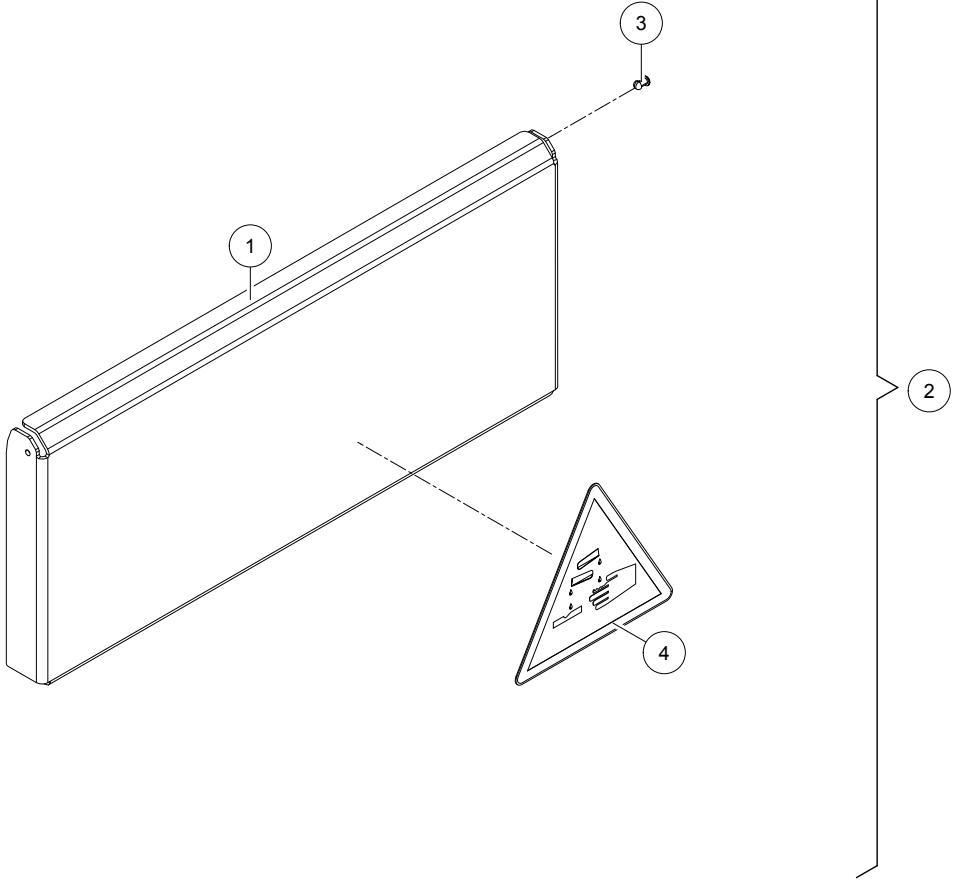


Astronaut A5

Dosing Unit 5.1004.0602-2XX 0003242507
 Dosing Unit 5.1005.2XXX-XXX 0003242507

Ref.	Part No	Qty.	Description	Techn. info	Criticality	Remark
1	5.1004.3036.0	1	Valve		2	
2	5.1004.6371.0	1	Manifold	mixing chemicals		
3	5.1004.6372.0	2	Clip	19mm	2	
4	5.1004.6373.0	3	Clip	12mm	2	
5	5.1004.6374.0	1	Adapter			
6	5.1004.6376.0	1	Plug			
7	5.1004.6383.0	1	Cable		1	
8	5.1004.6404.0	1	Clip 9mm			
9	5.1004.6707.0	1	Label	Sanitizer		
10	5.1004.6732.0	1	O-ring	Set (Viton)	2	
11	#####	1	Not separately			
12	9.1185.1053.0	1	Isolation	Climaflex XT 22x9mm (L2000mm), L=730mm		
13	9.1185.1053.0	1	Isolation	Climaflex XT 22x9mm (L2000mm), L=175mm		
14	5.1005.2974.0	1	Shield USA		2	
15	5.1005.3442.0	1	Tube	FLOWMIXTUBE TOP	1	
16	9.1043.0188.0	1	O-ring	7,65x1,78 Viton		
17	9.1043.0270.0	2	O-ring	18.72 x 2.62 VITON 75° SHORE AERIKS 10023273		
18	9.1043.0271.0	2	O-ring	12 x 2 VITON 75° SHORE AERIKS 10024614		
19	9.1073.0212.0	2	Rivet	Push rivet PA6 3.3 x 4.8	bulk	
20	9.1170.0584.1	1	Decal			
21	9.1183.0077.0	1	Flow sensor	Turbine VTY 10-31	2	
22	9.1183.0078.0	1	Sensor	(Sika VT3493)	2	



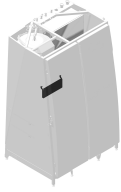


D000420-001

Shield Set (EU)

C-2





Astronaut A5

Dosing Unit 5.1004.0602-2XX 0003242507
 Dosing Unit 5.1005.2XXX-XXX 0003242507

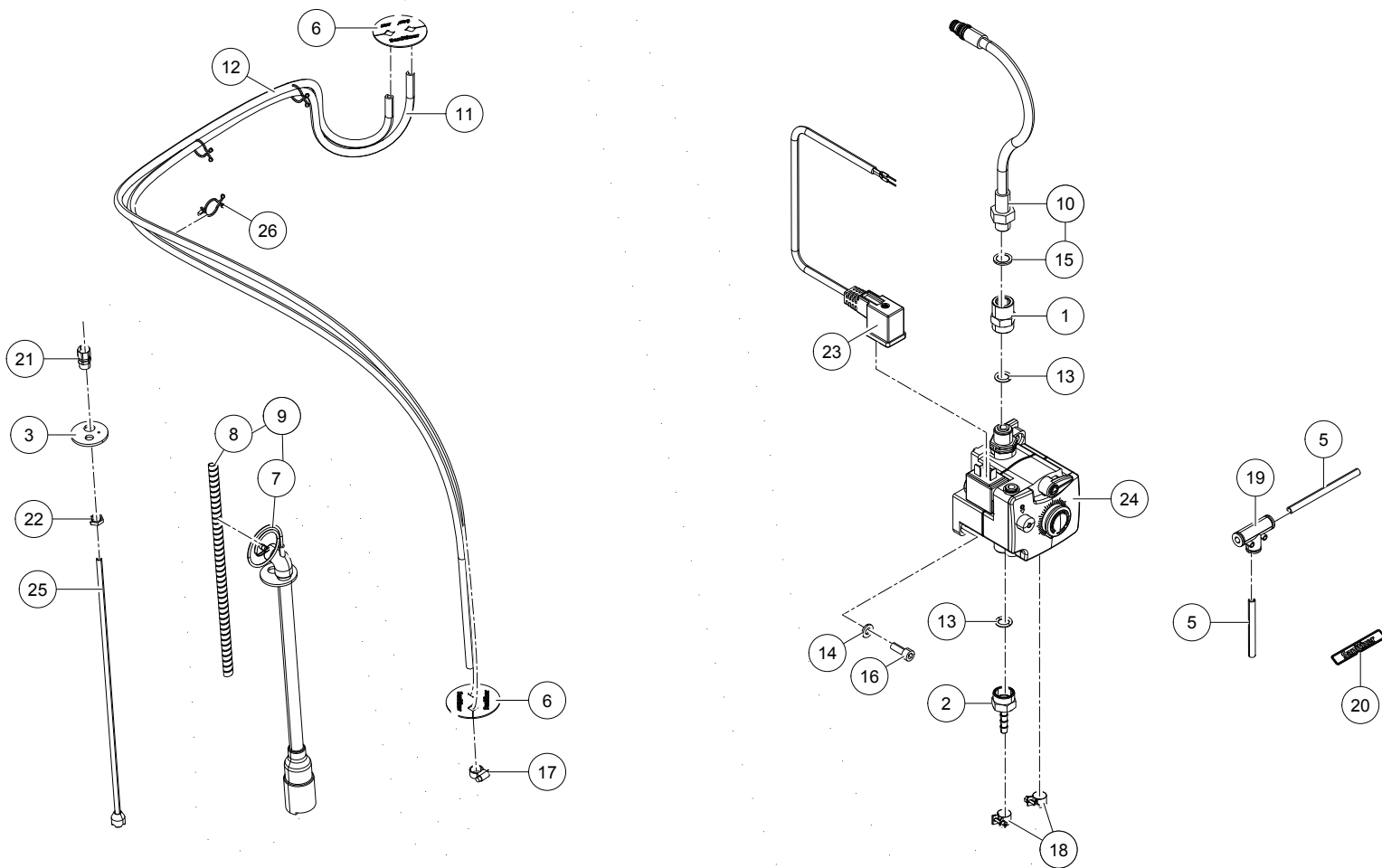
Ref.	Part No	Qty.	Description	Techn. info	Criticality	Remark
1	#####	1	Not separately			
2	5.1005.2973.0	1	Shield EU		2	
3	9.1073.0212.0	2	Rivet	Push rivet PA6 3.3 x 4.8	bulk	
4	9.1170.0506.0	1	Decal			

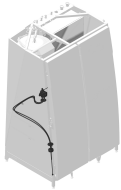
D000420-001

Shield Set (EU)

C-2







Astronaut A5

Dosing Unit 5.1004.0602-2XX 0003242507
 Dosing Unit 5.1005.2XXX-XXX 0003242507

Ref.	Part No	Qty.	Description	Techn. info	Criticality	Remark
1	5.1004.1371.0	1	Red. nipple		1	
2	5.1004.1378.0	1	Tailpiece		1	
3	5.1004.1483.0	4	Disc	Jerrycan		
4	9.1138.0064.5	1	Tube	6mm PA, L=45mm	Bulk	
5	9.1138.0064.5	1	Tube	6mm PA, L=85mm	Bulk	
6	5.1004.5746.0	2	Label			
7	5.1004.7328.0	1	Suction tube with level switch			
8	5.1004.7354.0	1	Set suction tube			
9	5.1004.7358.0	1	Set suction tube			
10	5.1005.3087.0	1	Hose	Chemical hose	1	
11	9.1065.0113.0	1	Tube	6x3 Yellow, L=1900mm		
12	9.1065.0061.3	1	Tube	ø6x3 (50m), L=2000mm	Bulk	
13	9.1043.0127.0	2	O-ring	10x2,5 Viton	2	
14	9.1048.0090.0	1	Washer	A6,4 DIN125-A2 s/s	Bulk	
15	9.1049.0058.2	1	Ring WD-16.5x11.6x1.5 1/4" VI	TON DIN3869	1	
16	9.1057.0060.3	1	S.h. bolt	M6x16 DIN912-A2 s/s	Bulk	
17	9.1066.0018.1	1	Hose clamp	Ø8-Ø16 s/s	Bulk	
18	9.1066.0054.2	2	Hose clamp	ø10.5-ø12.0	Bulk	
19	9.1138.0053.1	1	Plug-in coupling	6-6-6mm (T)		
20	9.1170.1035.0	1	Decal	"Santizer"		
21	9.1186.0246.4	4	Swivel		Bulk	
22	9.1186.0247.5	4	Swivel nut		Bulk	
23	9.1186.0788.0	1	Valve			
24	9.1189.0111.6	1	Pump	Acid/Brush-Dis/Sanitizer (24V 12ltr/h)	2	
25	9.1189.0264.0	1	Filter			
26	9.1073.0094.0	1	Rohrschelle			

Lely Industries N.V.

Cornelis van der Lelylaan 1

NL-3147 PB Maassluis

Tel +31 (0)88 - 12 28 221

Fax +31 (0)88 - 12 28 222

